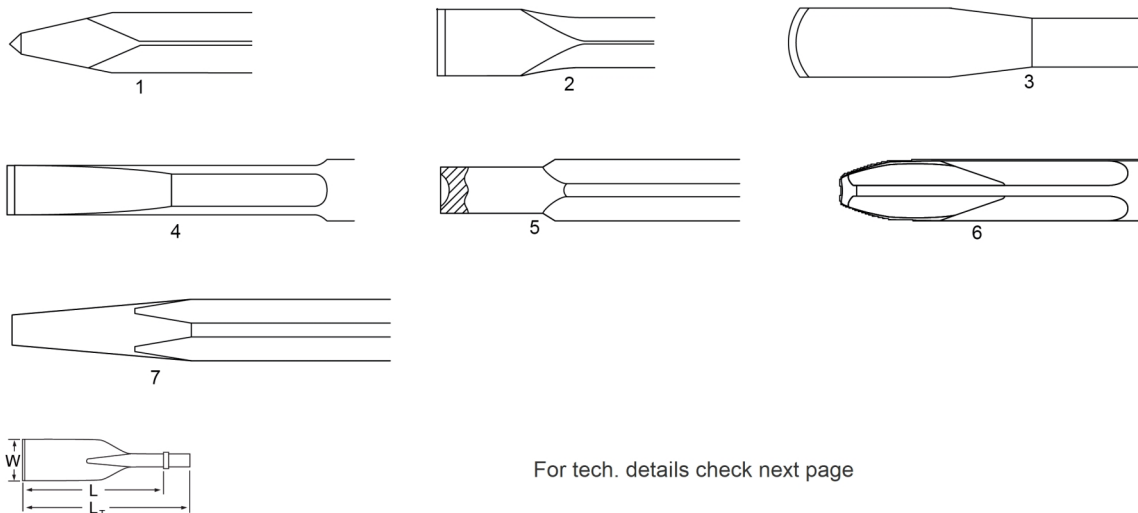


CP 4611 P 9870056800

Description	Working length		Total length		Blade / Tip width		Weight kg <sup>1)</sup>	Part number
	mm	in	mm	in	mm	in		
Moil point	145	5 ¾	255	10	-	-	0.9	1 3083 4140 00
	195	7 ¾	305	12	-	-	1.1	1 3083 4140 10
	340	13	450	18	-	-	1.8	1 3083 4140 20
Narrow chisel	145	5 ¾	255	10	-	-	0.9	2 3083 4141 00
	195	7 ¾	305	12	-	-	1.1	2 3083 4141 10
	340	13	450	18	-	-	1.8	2 3083 4141 20
Loose rivet buster	145	5 ¾	255	10	-	-	0.9	3 3083 4142 00
	195	7 ¾	305	12	-	-	1.1	3 3083 4142 10
	340	13	450	18	-	-	1.8	3 3083 4146 20
Tight rivet buster	145	5 ¾	255	10	-	-	0.9	4 3083 4145 00
	195	7 ¾	305	12	-	-	1.1	4 3083 4145 10
	340	13	450	18	-	-	1.8	4 3083 4145 20
Driftpin driver	80	3	190	7 ½	Ø 22	Ø 7/8	0.7	5 3083 4143 00
Chisel ripper	120	4 ¾	230	9	-	-	0.8	6 3083 4144 00
Backout punch - Long Clearance	102	4	212	8 ½	15.9	5/8	0.8	7 3083 4148 10
	152	6	262	10 ½	15.9	5/8	0.8	7 3083 4148 20
	102	4	212	8 ½	19	¾	0.8	7 3083 4148 40
	152	6	262	10 ½	19	¾	0.9	7 3083 4148 50
	102	4	212	8 ½	22	7/8	0.9	7 3083 4148 70
	152	6	262	10 ½	22	7/8	1.0	7 3083 4148 80



For tech. details check next page



CP 4611 P 9870056800

**Part assemblies** Rivet Buster (Jumbo Shank Size)

PartNo	Pos	Qty	Name	Specifications
3083414000	1	1	MOIL POINT	
3083414010	1	1	MOIL POINT	
3083414020	1	1	MOIL POINT	
3083414100	2	1	Narrow Chisel Jumbo/11X	
3083414110	2	1	NARROW CHISEL	
3083414120	2	1	Narrow Chisel Jumbo/11X	
3083414200	3	1	LOOSE RIVET BUSTER	
3083414210	3	1	LOOSE RIVET BUSTER	
3083414620	3	1	LOOSE RIVET BUSTER	
3083414500	4	1	TIGHT RIVET BUSTER	
3083414510	4	1	TIGHT RIVET BUSTER	
3083414520	4	1	Tight Rivet Buster Jumbo/11X	
3083414300	5	1	DRIFTPIN DRIVER	
3083414400	6	1	Ripper Chisel Jumbo/11X	
3083414810	7	1	BACK OUT PUNCH - LONG (5	
3083414820	7	1	BACK OUT PUNCH - LONG (5	
3083414840	7	1	BACK OUT PUNCH - LONG (3	
3083414850	7	1	BACK OUT PUNCH - LONG (3	
3083414870	7	1	BACK OUT PUNCH - LONG (7	
3083414880	7	1	BACK OUT PUNCH - LONG (7	