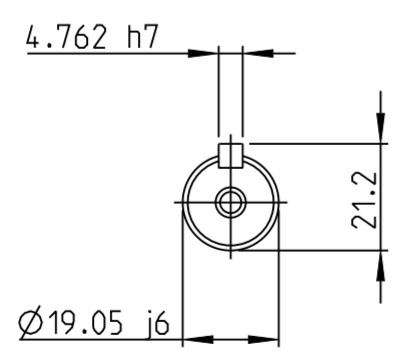
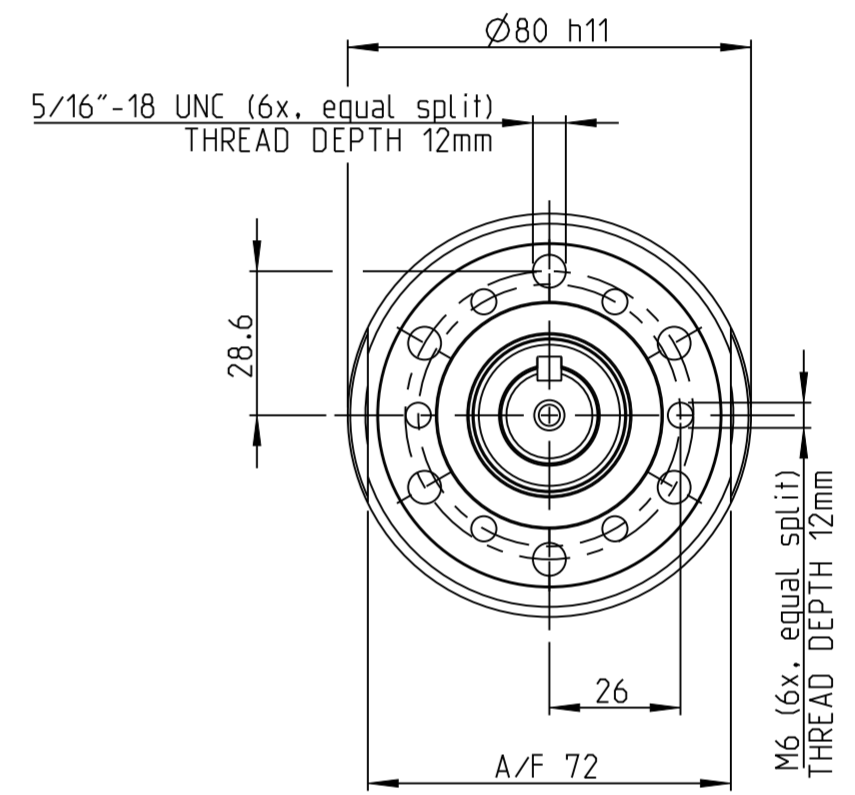
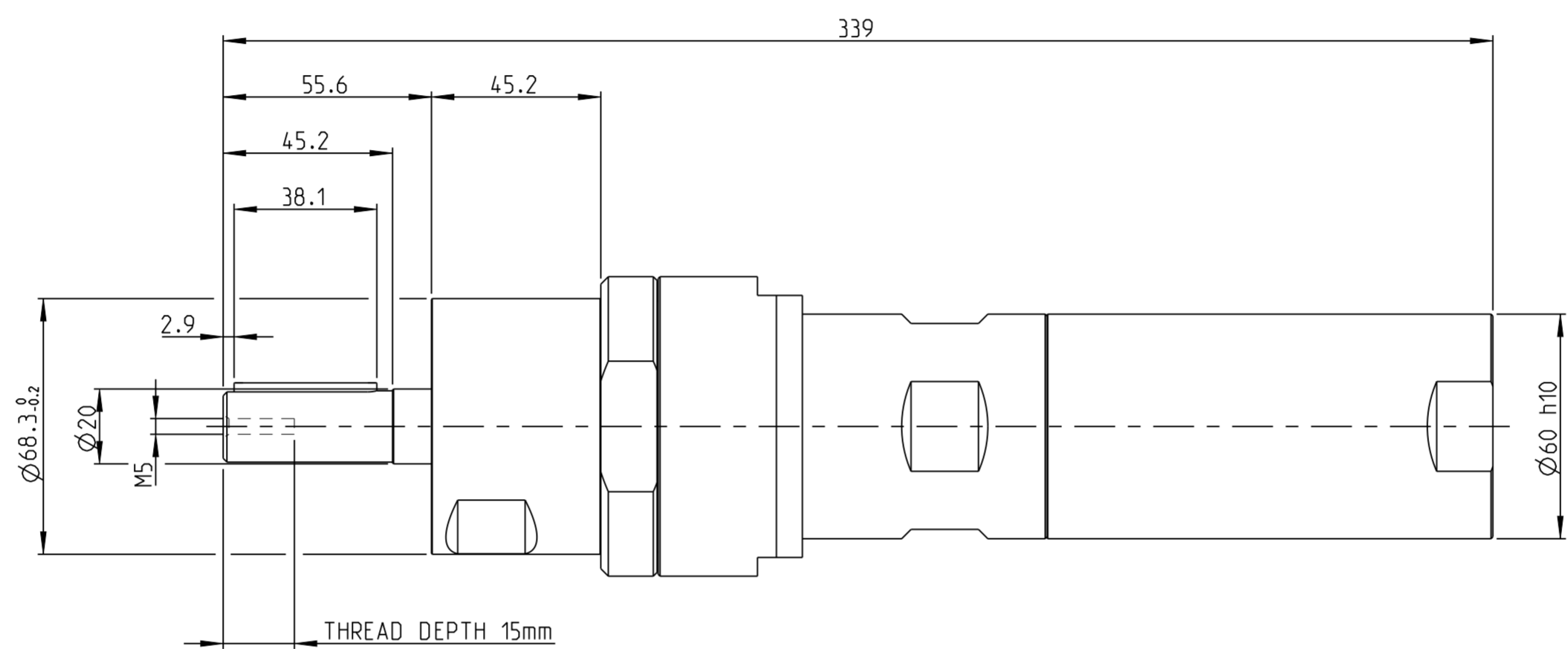
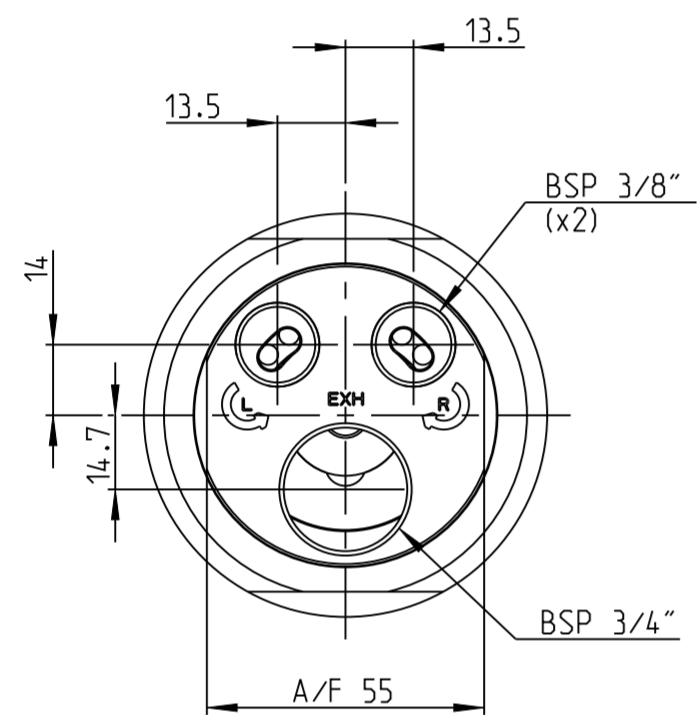


Model name	LZB66_AR_3_15	Rev. No.	0.7
Drawing name	LZB66_AR_3_15	Rev. No.	0.8



A-A

MOTOR NAME	ORDERING NO.
LZB66-L-AR0020-15	8411 0601 09
LZB66-L-AR0012-15	8411 0601 17

This document and its content is the intellectual property of Atlas Copco Industrial Technique AB. All rights reserved. No part of this document may be reproduced, distributed, or copied without prior written authorization is strictly prohibited.

Note	Pos.	Modified from	Date	Intr.
0	-	-	-	-

Tolerances, if not indicated, according to:		AC-STD			
Name				VANE MOTOR LZB66-L-ARXXXX-15 LZB66-AR	
Material				1102 K/-	
Scale				2:3	
Format				A2	
Family				-	
Compare				-	
Drawn				F GRINELL	
Blank				-	
Replaces				-	
Cons.class				1295 K/-	
Rev				0	
Status				In Work	
Designation				LZB66_AR_3_15	
Transferred from				-	
Mass/Volume				-	
Date				2013-05-08	

TOO

Sheet 1 (1)