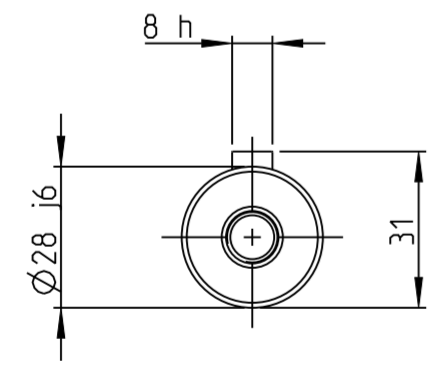
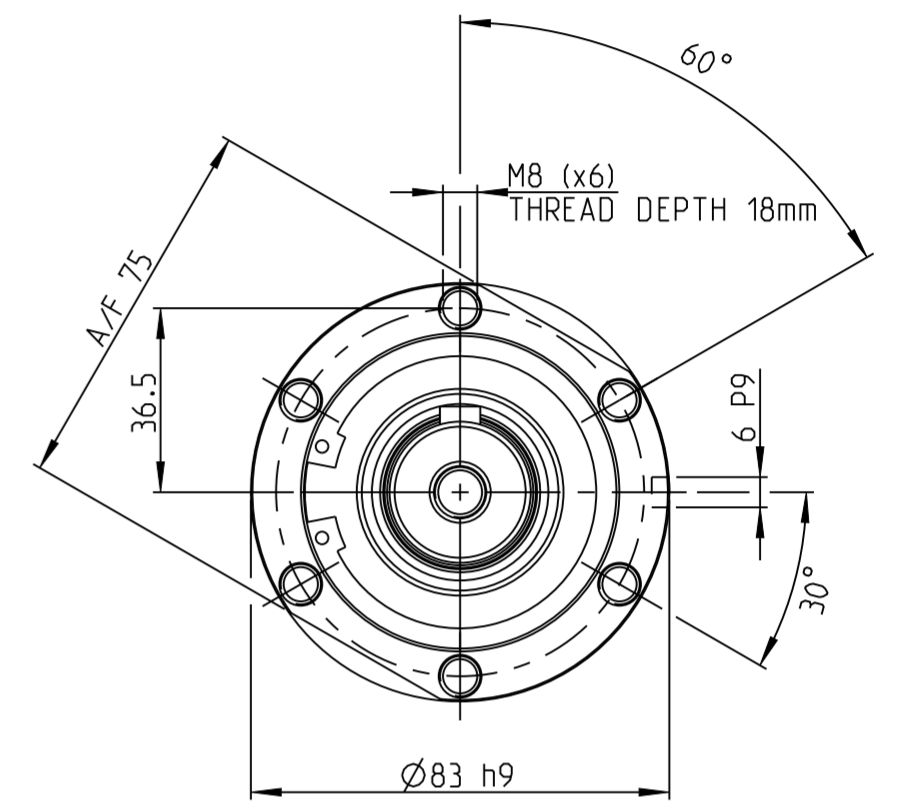
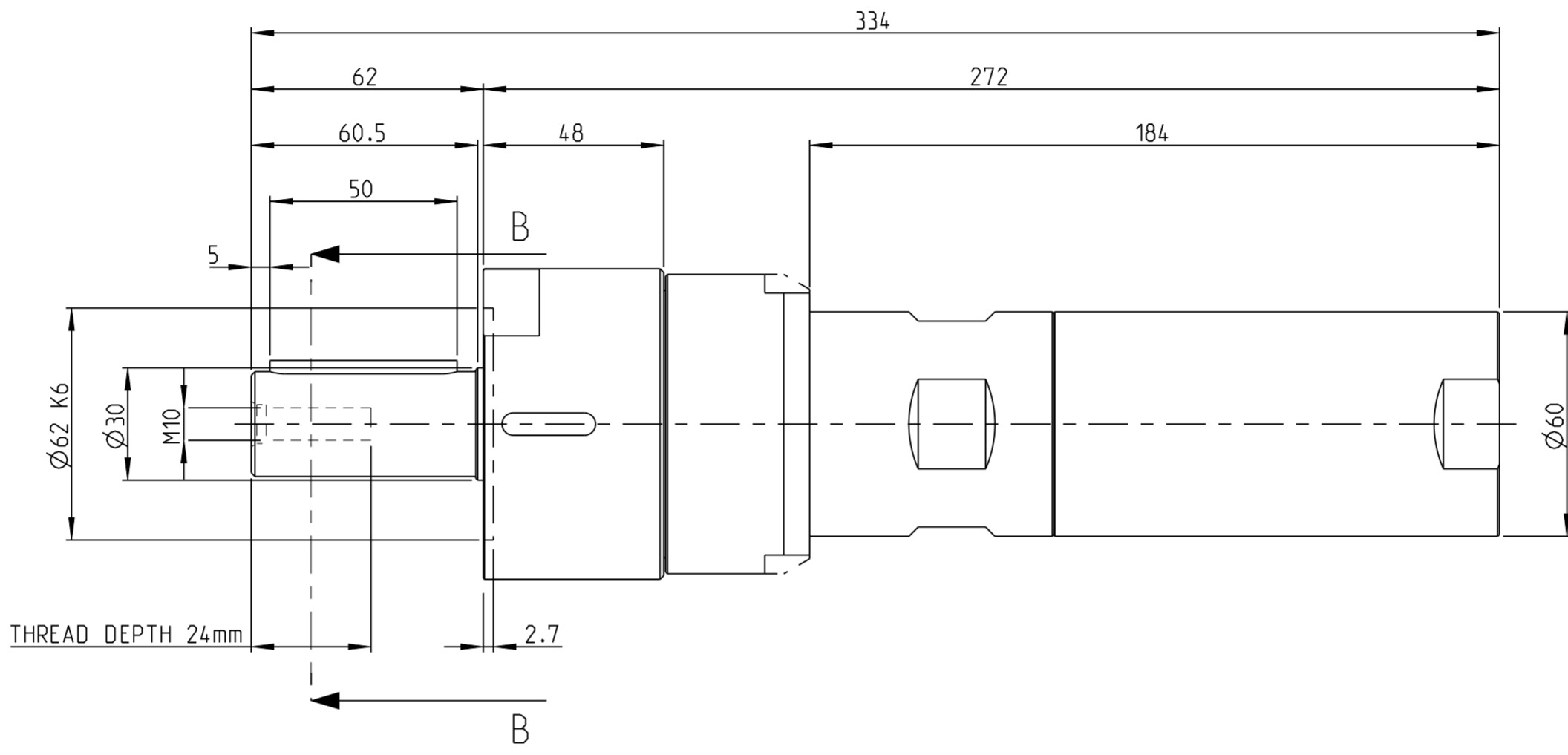
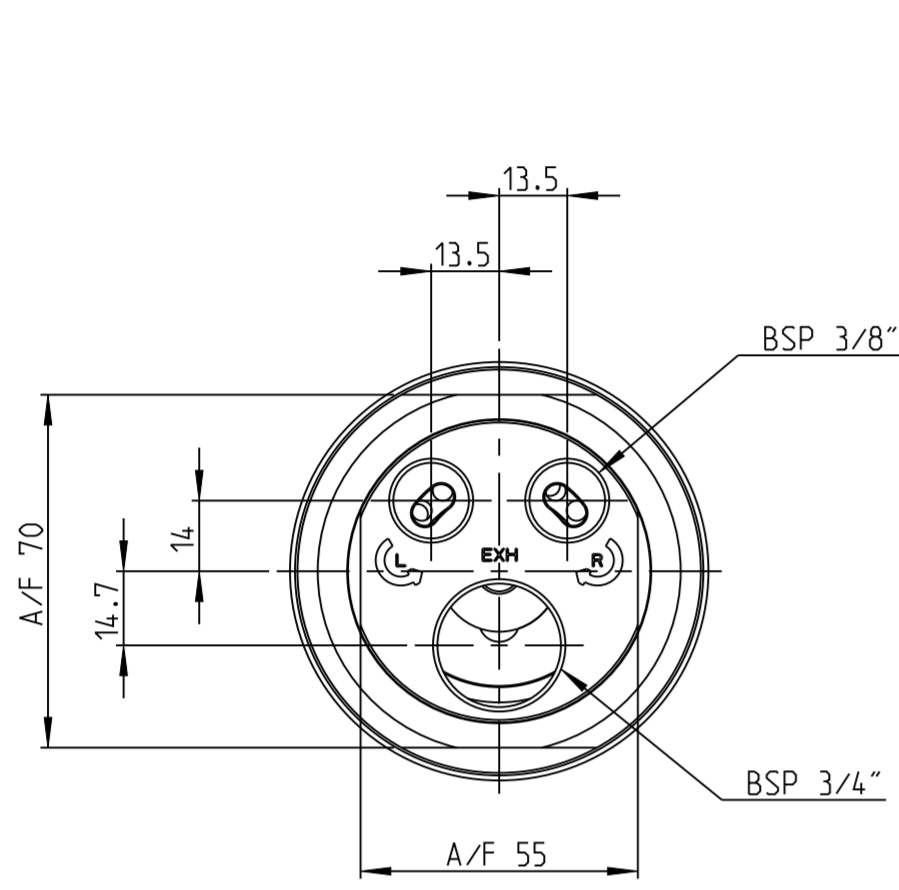


Model name	LZB66_AR_3_11	Rev. No.	0.2
Drawing name	LZB66_AR_3_11	Rev. No.	0.4



B-B

MOTOR NAME	ORDERING NO.
LZB66-L-AR0020-11	8411 0601 58
LZB66-L-AR0012-11	8411 0601 66
LZB66-L-AR0009-11	8411 0603 33

This document and its content is the intellectual property of Atlas Copco Industrial Technique AB. All rights reserved. No part of this document may be reproduced, stored in a retrieval system, or transmitted in any form or by any means, without prior written authorization is strictly prohibited.

Note	Pos.	Modified from	Date	Intr.
0	-	-	-	-

Tolerances, if not indicated, according to:		-	-	-	-	-	-	
AC-STD		-	-	-	-	-	-	
Name		VANE MOTOR LZB66-L-ARXXX-11			LZB66-AR		Secrecy class	
Material		-			1102 K/-			
					CAD Pro/E			
	Scale	2:3	Format	A2	Family	-	Compare	-
	Drawn	F GRINELL		Blank	-	Replaces	-	Drawing owner <b>T00</b>
Transferred from	Cons.class	1295 K/-	Rev	0	Status	In Work	Designation	LZB66_AR_3_11
	Mass/Volume	-	Date	2013-05-08		Sheet 1 (1)		