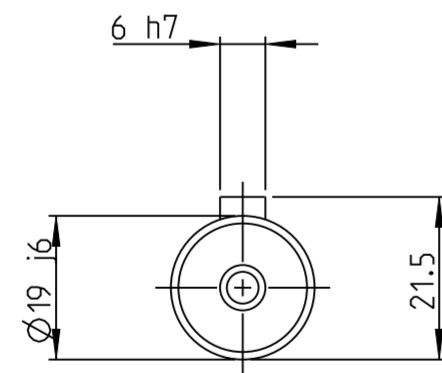
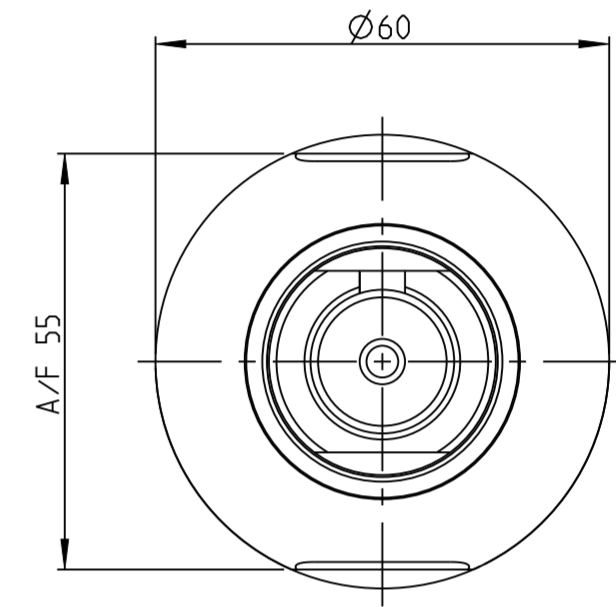
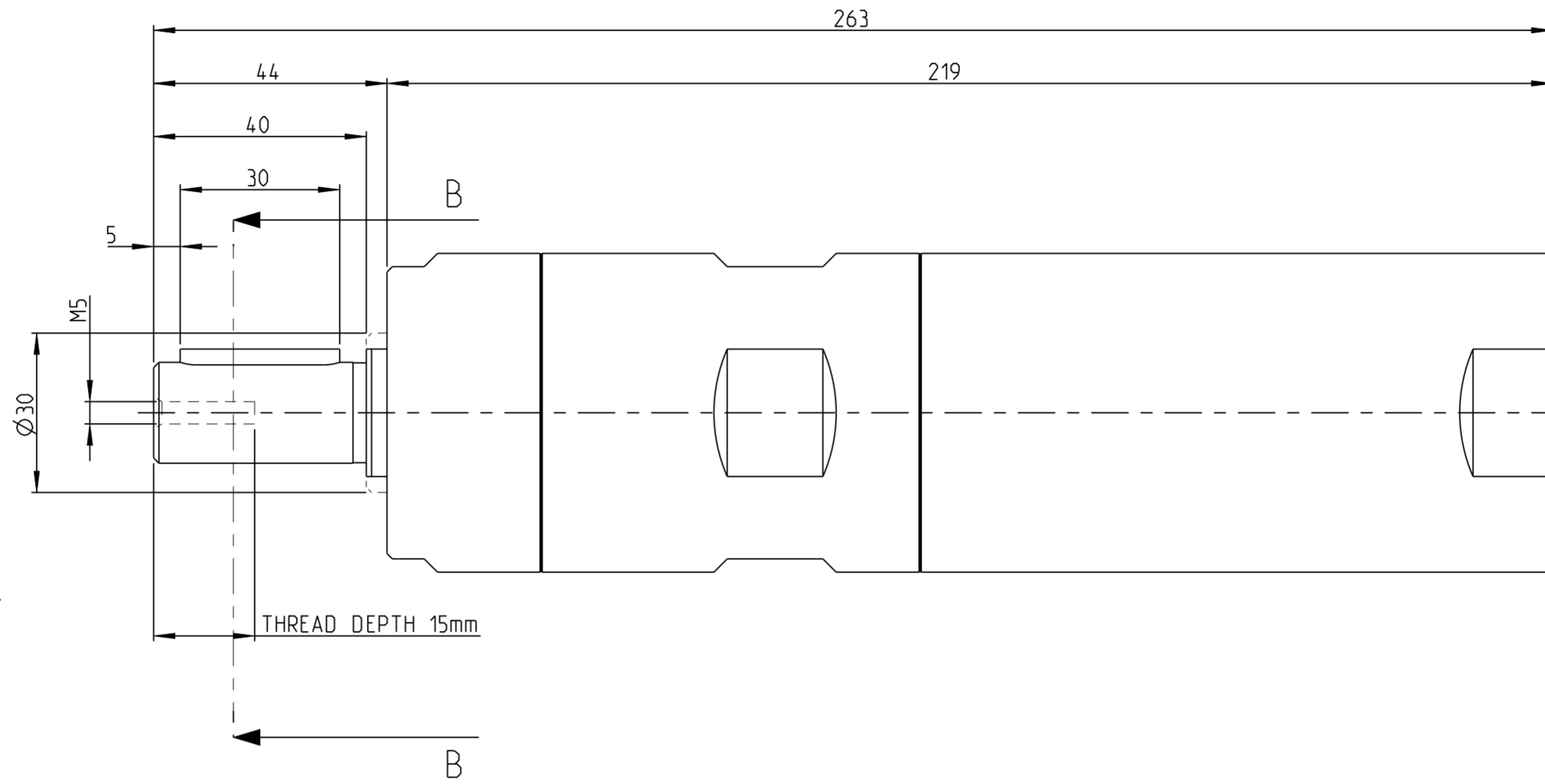
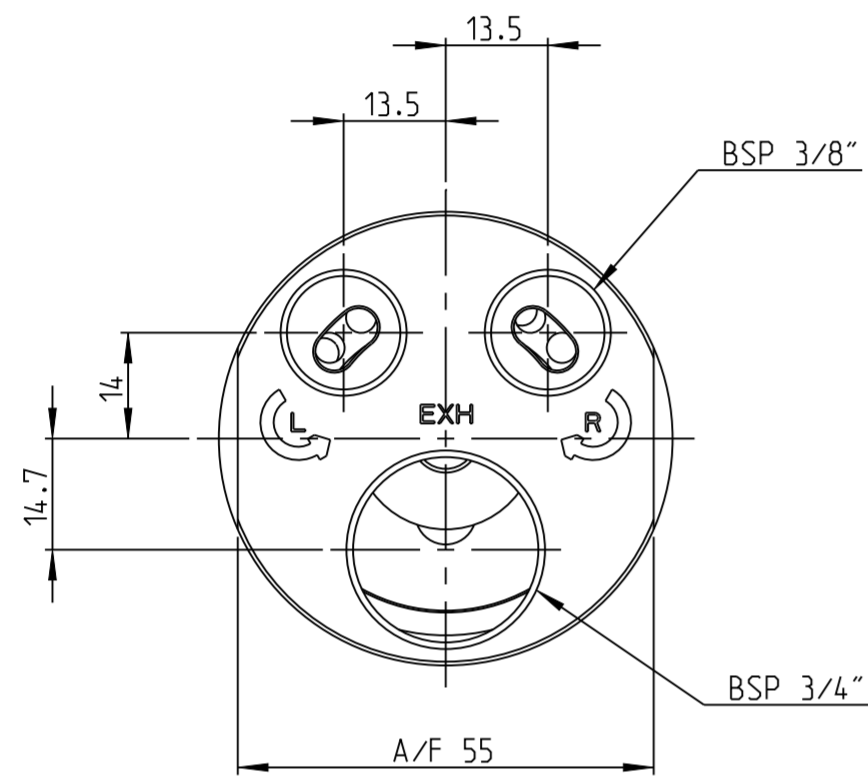


Model name	LZB66_AR_2_11	Rev. No.	0.2
Drawing name	LZB66_AR_2_11	Rev. No.	0.3



B-B

MOTOR NAME	ORDERING NO.
LZB66-L-AR008-11	84 11 0601 25
LZB66-L-AR005-11	84 11 0601 33
LZB66-L-AR004-11	84 11 0601 41

This document and its content is the intellectual property of Atlas Copco Industrial Technique AB. All rights reserved. No part of this document may be reproduced, stored in a retrieval system, or transmitted in any form or by any means, electronic, mechanical, photocopying, recording, or by any information storage and retrieval system, without prior written authorization is strictly prohibited.

Note	Pos.	Modified from	Date	Intr.
0	-	-	-	-

Tolerances, if not indicated, according to:		-	-	-	-	-	
AC-STD		-	-	-	-	-	
Name	VANE MOTOR LZB66-L-ARXXX-11			LZB66-AR	Secrecy class		
Material	-			1102 K/-			
	-			CAD Pro/E			
	Scale	1:1	Format	A2	Family	-	
	Drawn	F GRINELL		Blank	-	Replaces	-
Transferred from	Cons.class	1295 K/-	Rev	0	Status	In Work	
	Mass/Volume	-	Date	2013-05-08	Designation	LZB66_AR_2_11	
						Drawing owner	T00
						Sheet 1 (1)	