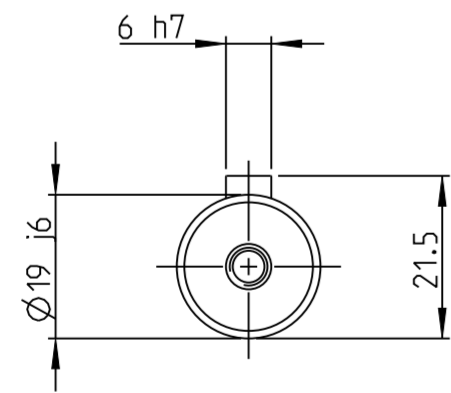
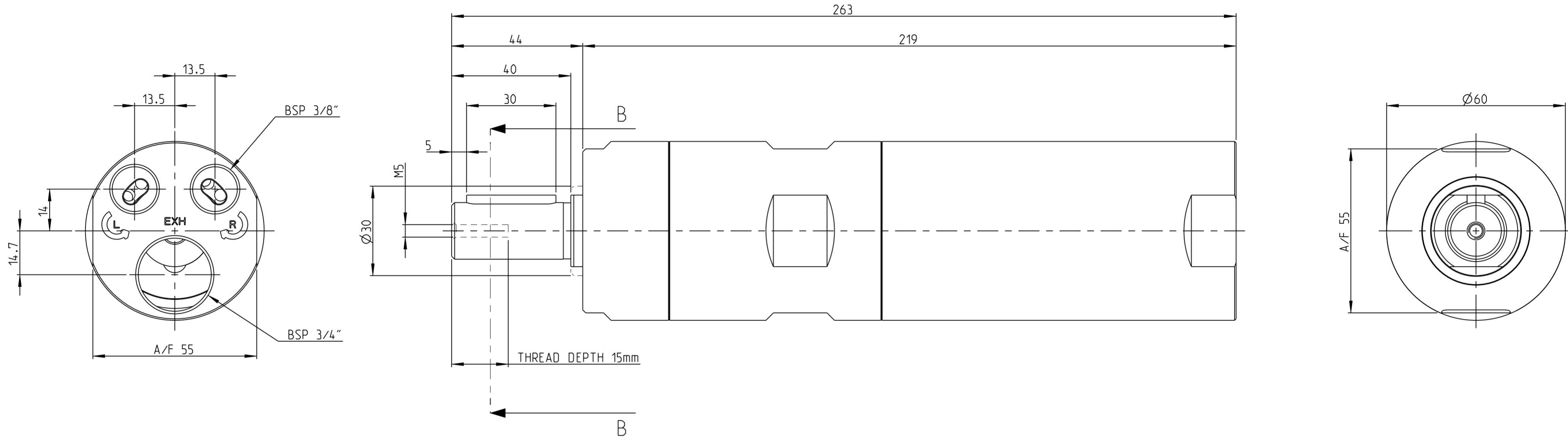


Model name	LZB66_AR_1_11	Rev. No.	0.2
Drawing name	LZB66_AR_1_11	Rev. No.	0.3



B-B

MOTOR NAME	ORDERING NO.
LZB66-L-AR130-11	8411 0602 91
LZB66-L-AR035-11	8411 0603 09
LZB66-L-AR020-11	8411 0603 17
LZB66-L-AR015-11	8411 0603 25

This document and its content is the intellectual property of Atlas Copco Industrial Technique AB. All rights reserved. No part of this document may be reproduced, stored in a retrieval system, or transmitted in any form or by any means, electronic, mechanical, photocopying, recording, or by any information storage and retrieval system, without prior written authorization is strictly prohibited.

Note	Pos.	Modified from	Date	Intr.
0	-	-	-	-

Tolerances, if not indicated, according to:		-	-	-	-	-
AC-STD		-	-	-	-	-
Name		VANE MOTOR LZB66-L-ARXXX-11			LZB66-AR	Secrecy class
Material		-			1102 K/-	
					CAD Pro/E	
	Scale	1:1	Format	A2	Family	-
	Drawn	F GRINELL		Blank	-	Replaces
Transferred from	Cons.class	1295 K/-	Rev	0	Status	In Work
	Mass/Volume	-	Date	2013-05-08	Designation	LZB66_AR_1_11
						Drawing owner <b>T00</b> Sheet 1 (1)