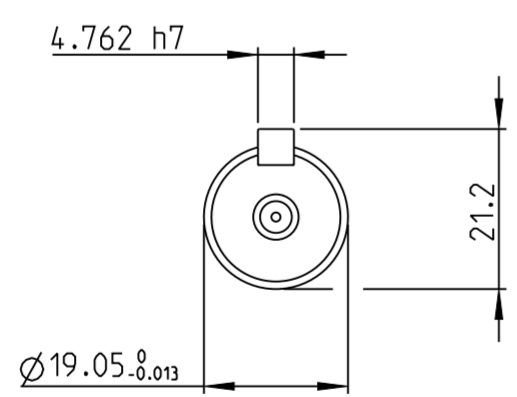
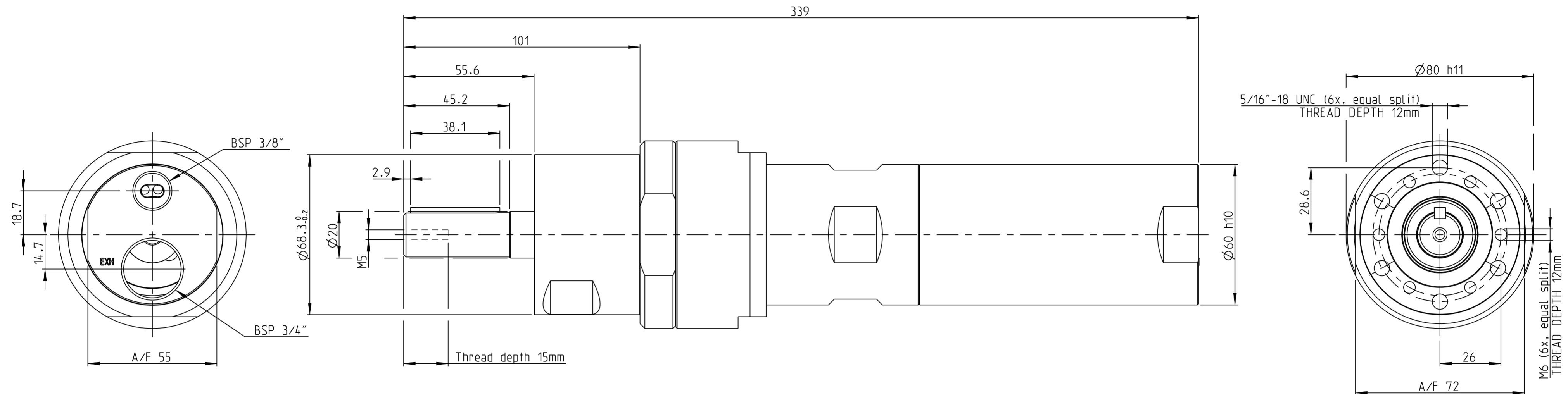


Model name	LZB66_A_3_15	Rev. No.	0.7
Drawing name	LZB66_A_3_15	Rev. No.	0.8



B-B

MOTOR NAME	ORDERING NO.
LZB66-L-A0025-15	8411 0600 18
LZB66-L-A0017-15	8411 0600 26

This document and its content is the intellectual property of Atlas Copco Industrial Technique AB. All rights reserved. Reproduction, distribution, publication, modification and copying without prior written authorization is strictly prohibited.

Note	Pos.	Modified from	Date	Intr.
0	-	-	-	-

Tolerances, if not indicated, according to:		-		-		-		-		-	
AC-STD		-		-		-		-		-	
Name VANE MOTOR LZB66-L-A-XXXX-15								LZB66-A		Security class	
Material -								1102 K/-			
-								CAD Pro/E		Drawing owner	
		Scale 1:1		Format A2		Family -		Compare -		Drawing owner	
-		Drawn F GRINELL		Blank -		Replaces -		-		TOO	
Transferred from		Cons.class 1295 K/-		Rev 0		Status In Work		Designation		Sheet 1 (1)	
-		Mass/Volume -		Date 2014-03-11		LZB66_A_3_15		-		-	