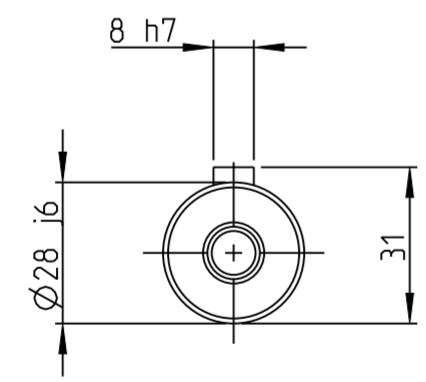
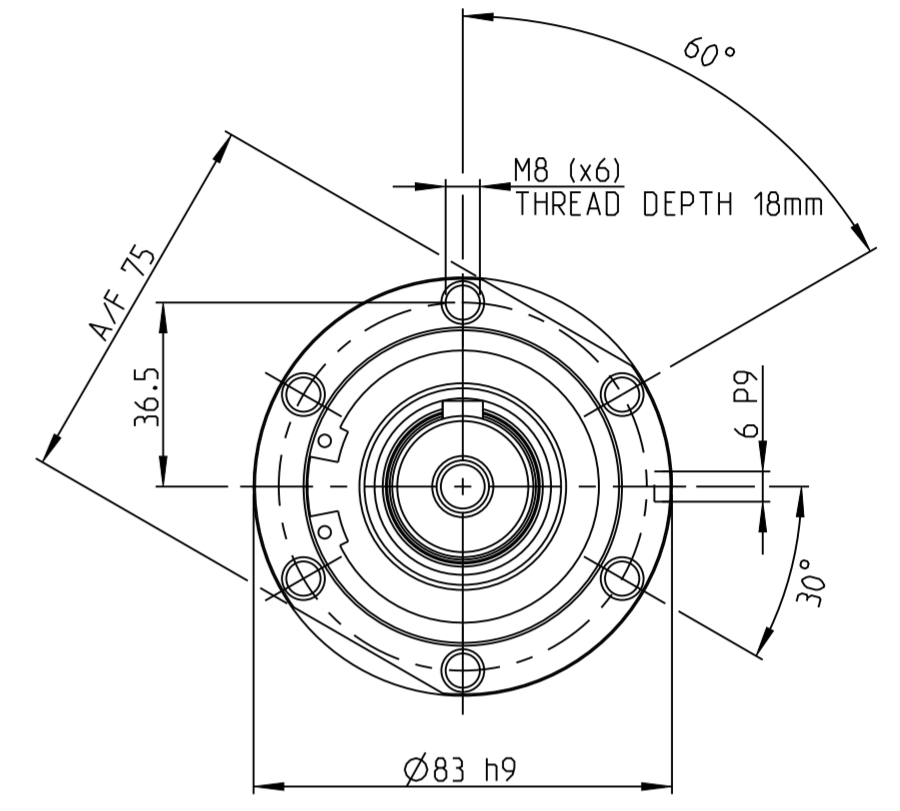
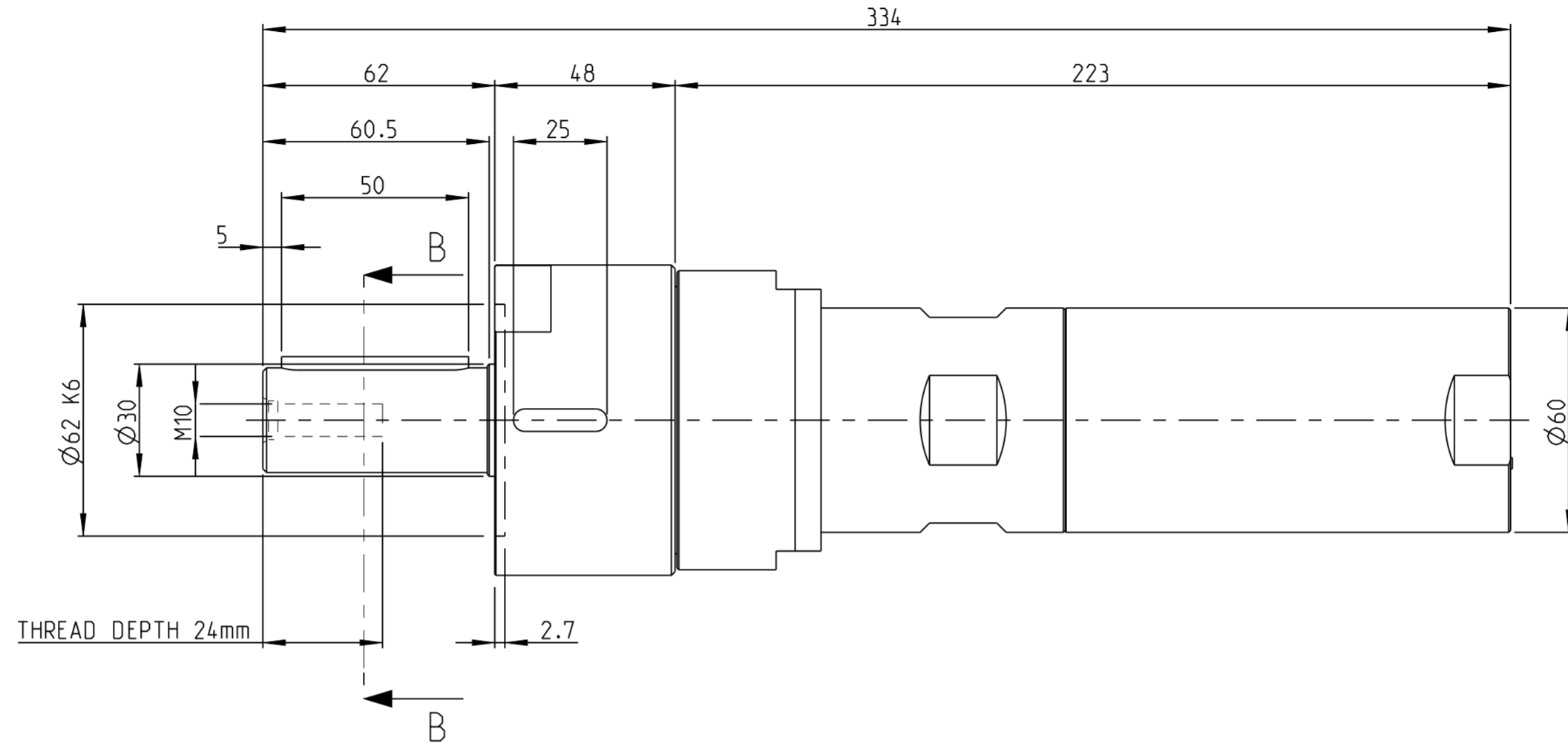
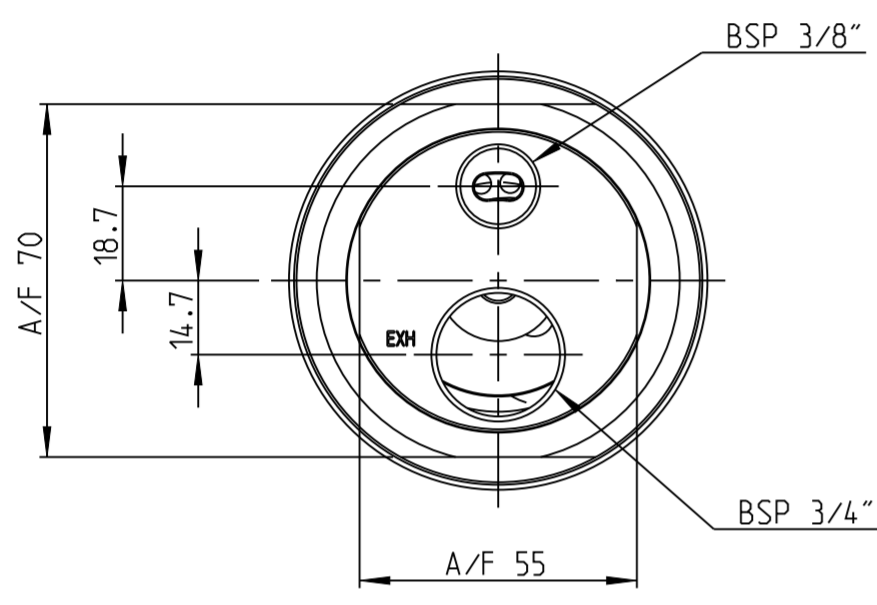


Model name	LZB66_A_3_11	Rev. No.	0.2
Drawing name	LZB66_A_3_11	Rev. No.	0.3



B-B

MOTOR NAME	ORDERING NO.
LZB66-L-A0025-11	8411 0600 83
LZB66-L-A0017-11	8411 0600 91
LZB66-L-A0012-11	8411 0602 83

This document and its content is the intellectual property of Atlas Copco Industrial Technique AB. Any use, including but not limited to reproduction, distribution, publication, modification and copying without prior written authorization is strictly prohibited.

Note	Pos.	Modified from	Date	Intr.
0	-	-	-	-

Tolerances, if not indicated, according to:		-	-	-	-	-	-	
AC-STD		-	-	-	-	-	-	
Name	VANE MOTOR LZB66-L-AXXX-11			LZB66-A	Secrecy class			
Material	-			1102 K/-				
				CAD Pro/E				
	Scale	2:3	Format	A2	Family	-	Compare	-
	Drawn	F GRINELL		Blank	-	Replaces	-	
Transferred from	Cons.class	1295 K/-	Rev	0	Status	In Work	Designation	LZB66_A_3_11
		Mass/Volume	-	Date	2013-05-07		Sheet 1 (1)	

TOO

LZB66\_A\_3\_11