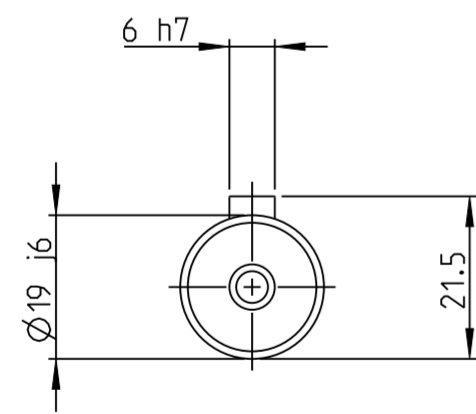
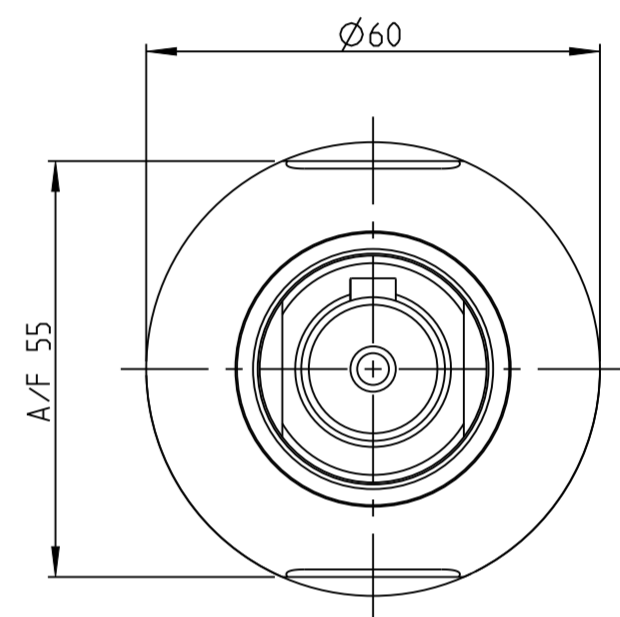
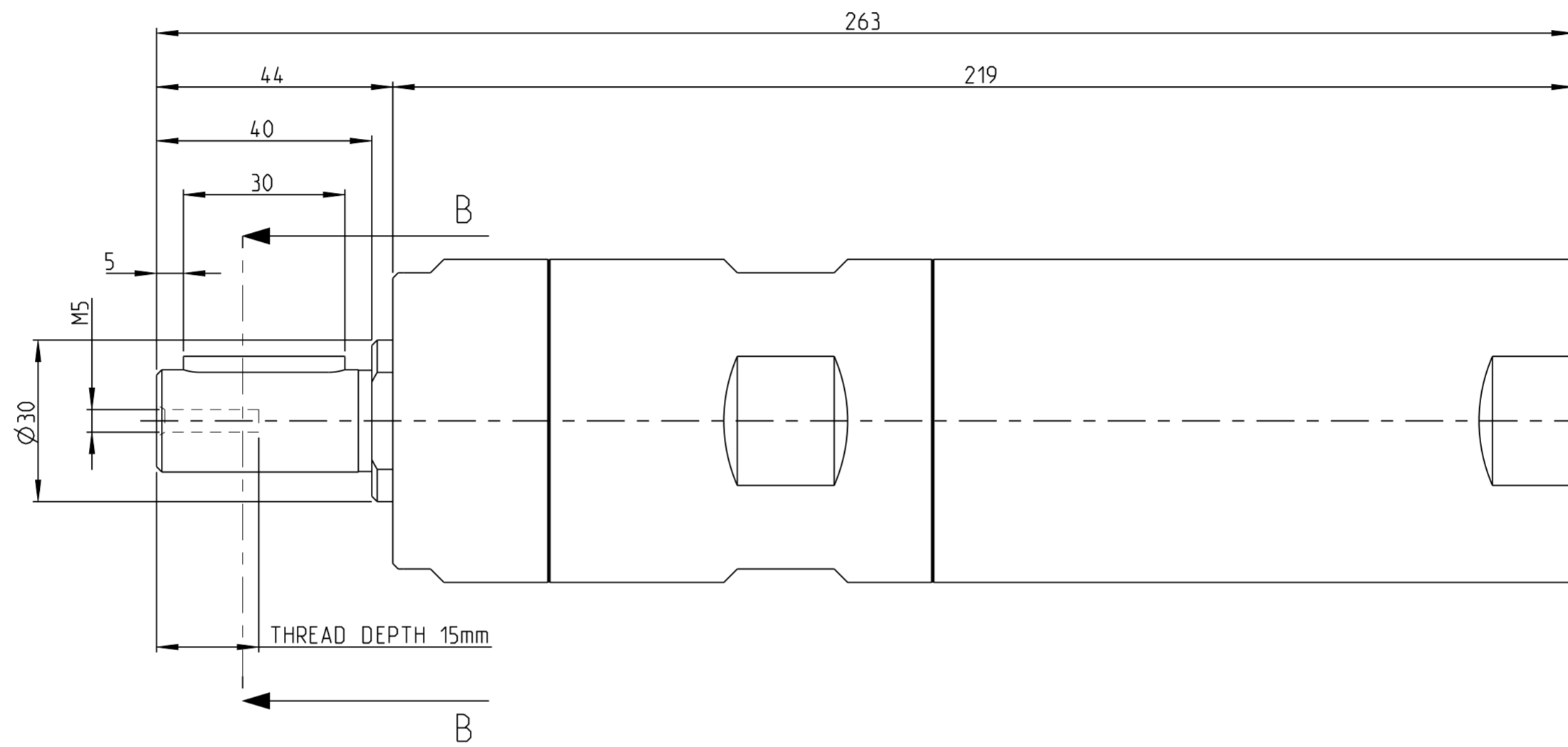
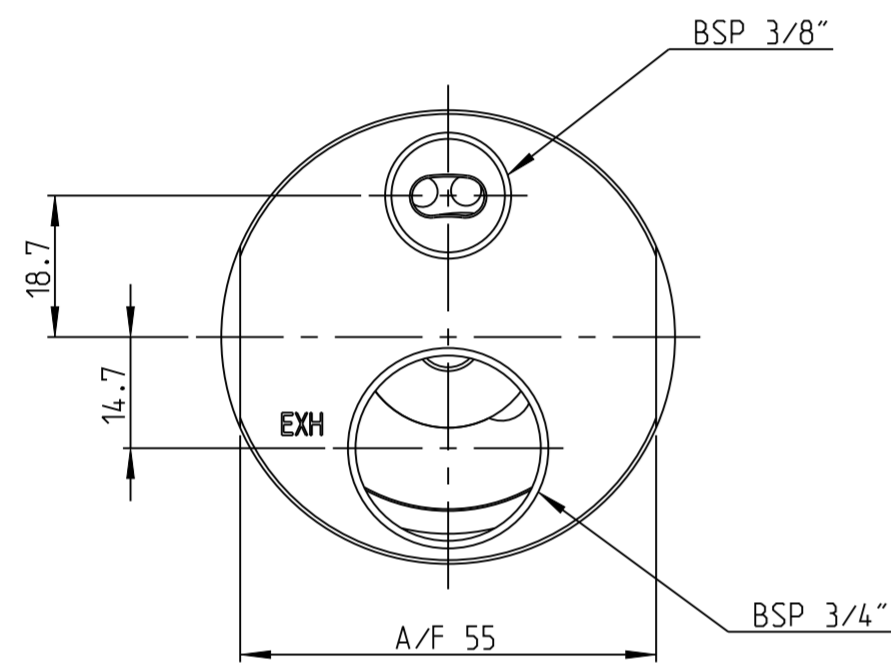


Model name	LZB66_A_2_11	Rev. No.	0.2
Drawing name	LZB66_A_2_11	Rev. No.	0.3



B-B

MOTOR NAME	ORDERING NO.
LZB66-L-A010-11	8411 0600 59
LZB66-L-A007-11	8411 0600 67
LZB66-L-A005-11	8411 0600 75

This document and its content is the intellectual property of Atlas Copco Industrial Technique AB. Any use, including but not limited to reproduction, distribution, publication, modification and copying, without prior written authorization is strictly prohibited.

Note	Pos.	Modified from	Date	Intr.
0	-	-	-	-

Tolerances, if not indicated, according to:		-	-	-	-	-	-	
AC-STD		-	-	-	-	-	-	
Name		VANE MOTOR LZB66-L-AXXX-11			LZB66-A		Secrecy class	
Material		-			1102 K/-			
					CAD Pro/E			
	Scale	1:1	Format	A2	Family	-	Compare	-
	Drawn	F GRINELL		Blank	-	Replaces	-	Drawing owner T00
Transferred from	Cons.class	1295 K/-	Rev	0	Status	In Work	Designation	LZB66_A_2_11
	Mass/Volume	-	Date	2013-05-07		Sheet 1 (1)		