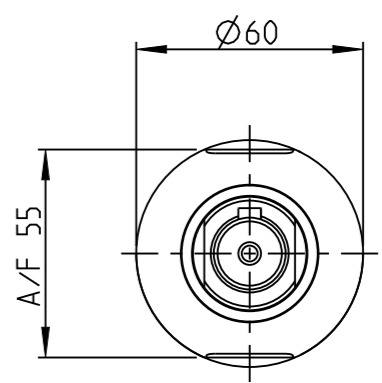
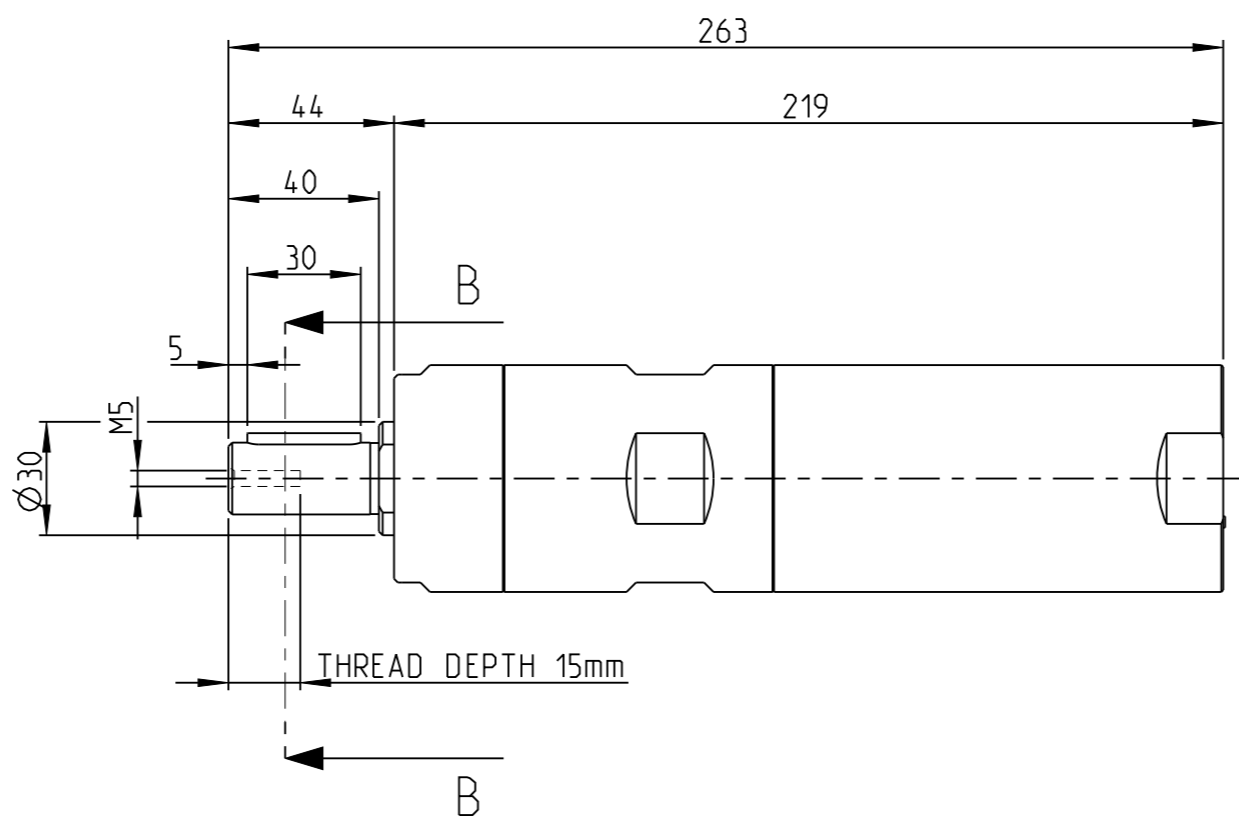
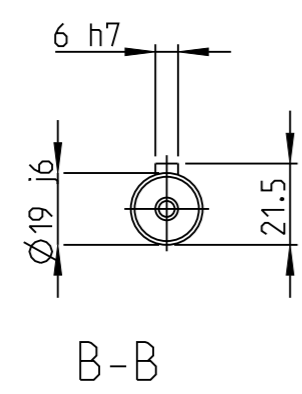
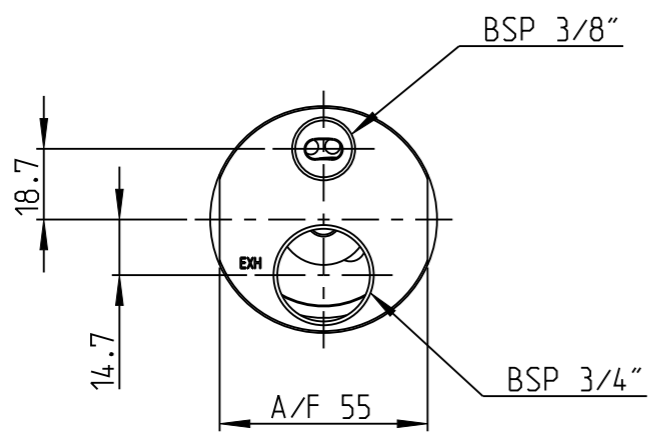


Model name	LZB66_A_1_11	Rev. Ver	0.2
Drawing name	LZB66_A_1_11	Rev. Ver	0.3

This document and its content is the intellectual property of Atlas Copco Industrial Technique AB. Any use, including but not limited to reproduction, publication, modification and copying without prior written authorization is strictly prohibited.



MOTOR NAME	ORDERING NO.
LZB66-L-A180-11	8411 0602 59
LZB66-L-A050-11	8411 0602 67
LZB66-L-A030-11	8411 0602 75
LZB66-L-A020-11	8411 0602 42

Tolerances, if not indicated, according to:		-	-	-	-	-
AC-STD		-	-	-	-	-
Name VANE MOTOR LZB66-L-AXXX-11					LZB66-A	
Material -					1102 K/-	
					CAD Pro/E	
Scale 1:2		Format A3	Family -	Compare -		Drawing owner TOO
Drawn F GRINELL		Blank -	Replaces -			
Transferred from -		Cons.class 1295 K/-	Rev 0	Status In Work	Designation LZB66_A_1_11	
		Mass/Volume -	Date 2013-05-07	Sheet 1 (1)		

Note	Pos.	Modified from	Date	Intr.
0	-	-	-	-