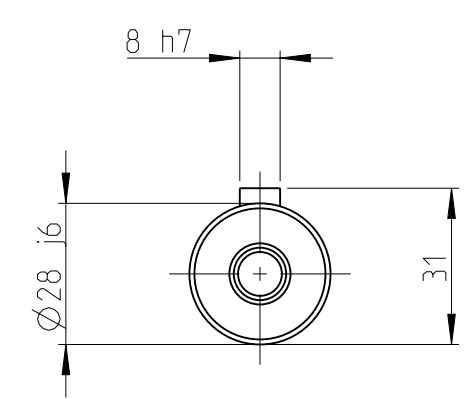
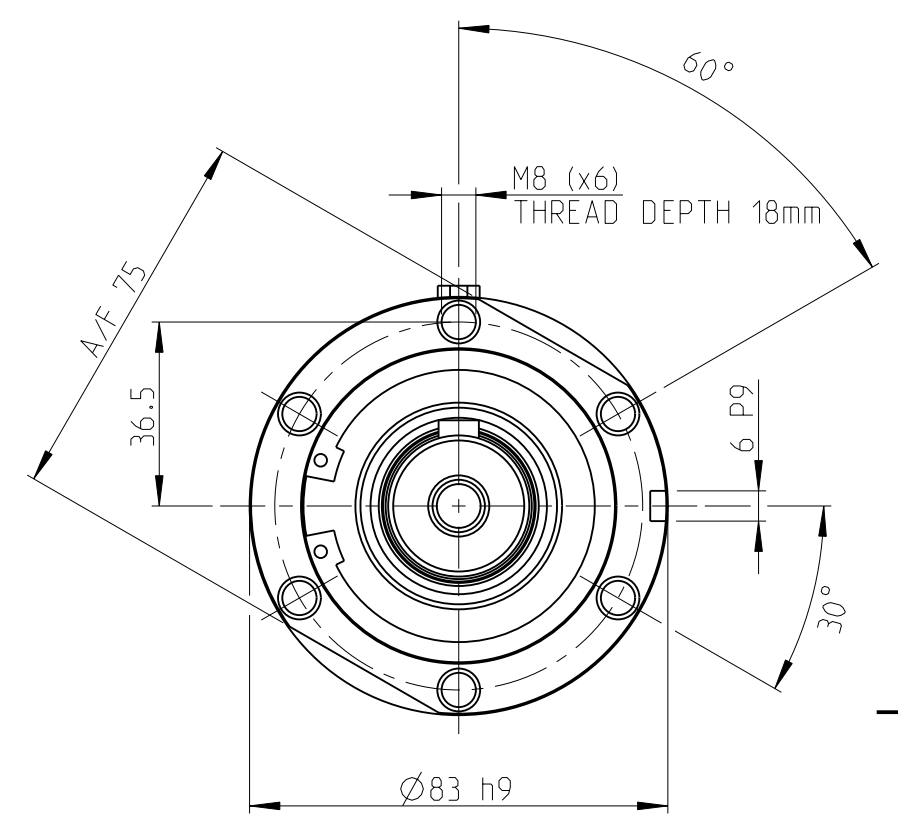
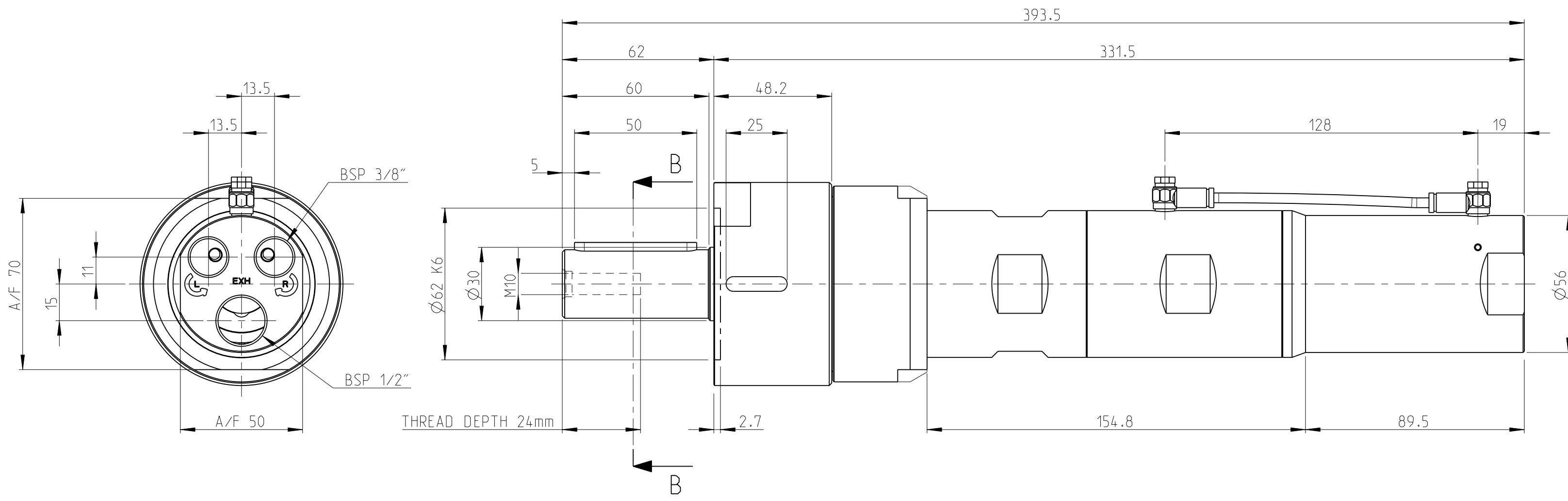


Model name LZB54_B_AR_3_11 Rev:0.2
 Drawing name LZB54_B_AR_3_11 Rev:0.2



MOTOR NAME	ORDERING NO.
LZB54-B-AR0020-11	8411 0568 75
LZB54-B-AR0012-11	8411 0568 83

This document is our property and shall not without our permission be altered, copied, used for manufacturing or communicated to any other person or company.

Note	Pos.	Modified from	Date	Intr.
0	-	-	-	-

Tolerances, if not indicated, according to:		-	-	-	-	-	
AC-STD		-	-	-	-	-	
Name	VANE MOTOR LZB54-B-ARXXX-11		LZB54-B-AR		Secretcy class	-	
Material	-		1102 K/-			TOO	
-		-		CAO Pro/E			
Scale	2:3	Format	A2	Family	-	Compare	-
Drawn	F GRINELL	Blank	-	Replaces	-	Drawing owner	
Cons.class	1295 K/-	Rev	0	Status	Design	Designation	
Transferred from	-	Mass/Volume	-	Date	2013-05-07	LZB54_B_AR_3_11	
						Sheet 1 (1)	