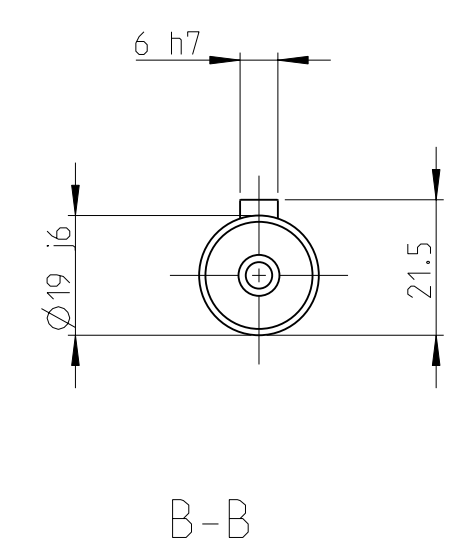
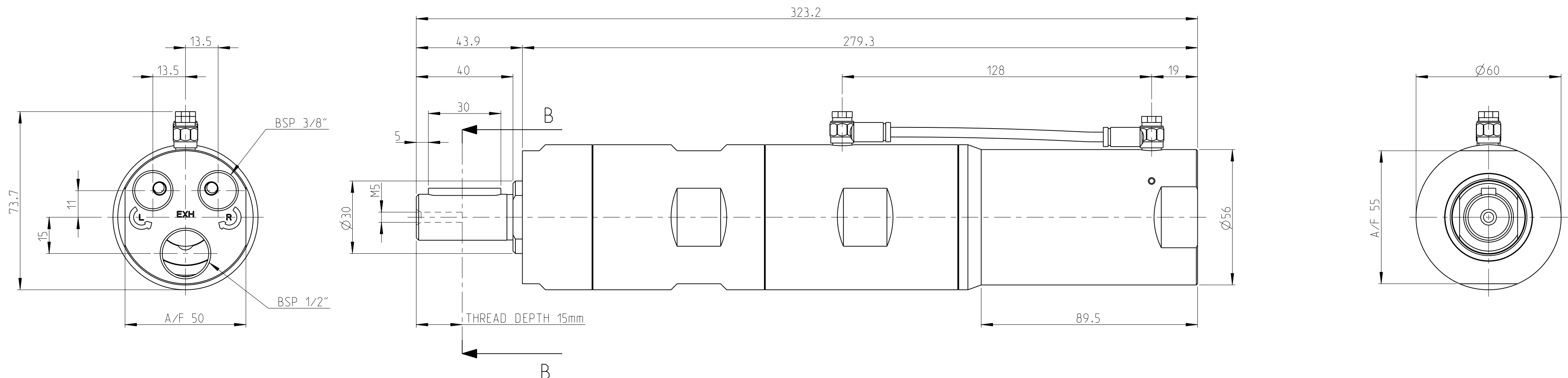


Model name LZB54_B_AR_2_11 Rev: 0.0
 Drawing name LZB54_B_AR_2_11 Rev: 0.1



MOTOR NAME	ORDERING NO.
LZB54-B-AR005-11	84.11 0568 59
LZB54-B-AR004-11	84.11 0568 67

This document is our property and shall not without our permission be altered, copied, used for manufacturing or communicated to any other person or company.

Note	Pos.	Modified from	Date	Intr.
0	-	-	-	-

Tolerances, if not indicated, according to:		-	-	-	-	-	-
AC-STD		-	-	-	-	-	-
Name	VANE MOTOR LZB54-B-ARXXX-11			LZB54-B-AR	Secretcy class		
Material	-			1102 K/-	CAO	Pro/E	
Scale	5:6	Format	A2	Family	-	Compare	-
Drawn	F GRINELL		Blank	-	Replaces	-	
Cons.class	1295 K/-	Rev	0	Status	Design	Designation	LZB54_B_AR_2_11
Transferred from	-		Mass/Volume	-	Date	2013-05-07	Sheet 1 (1)

