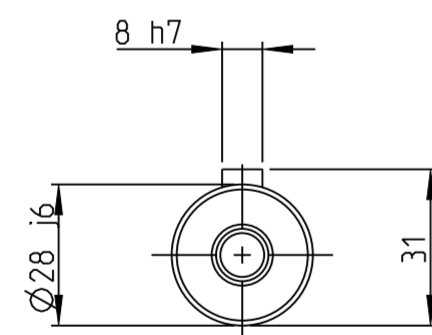
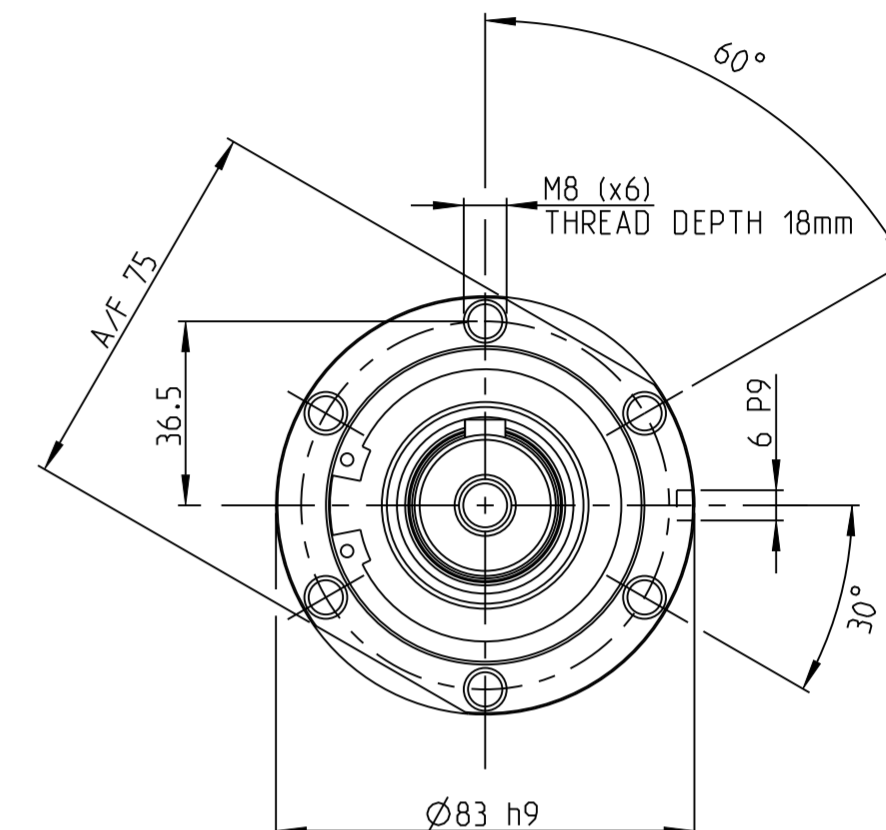
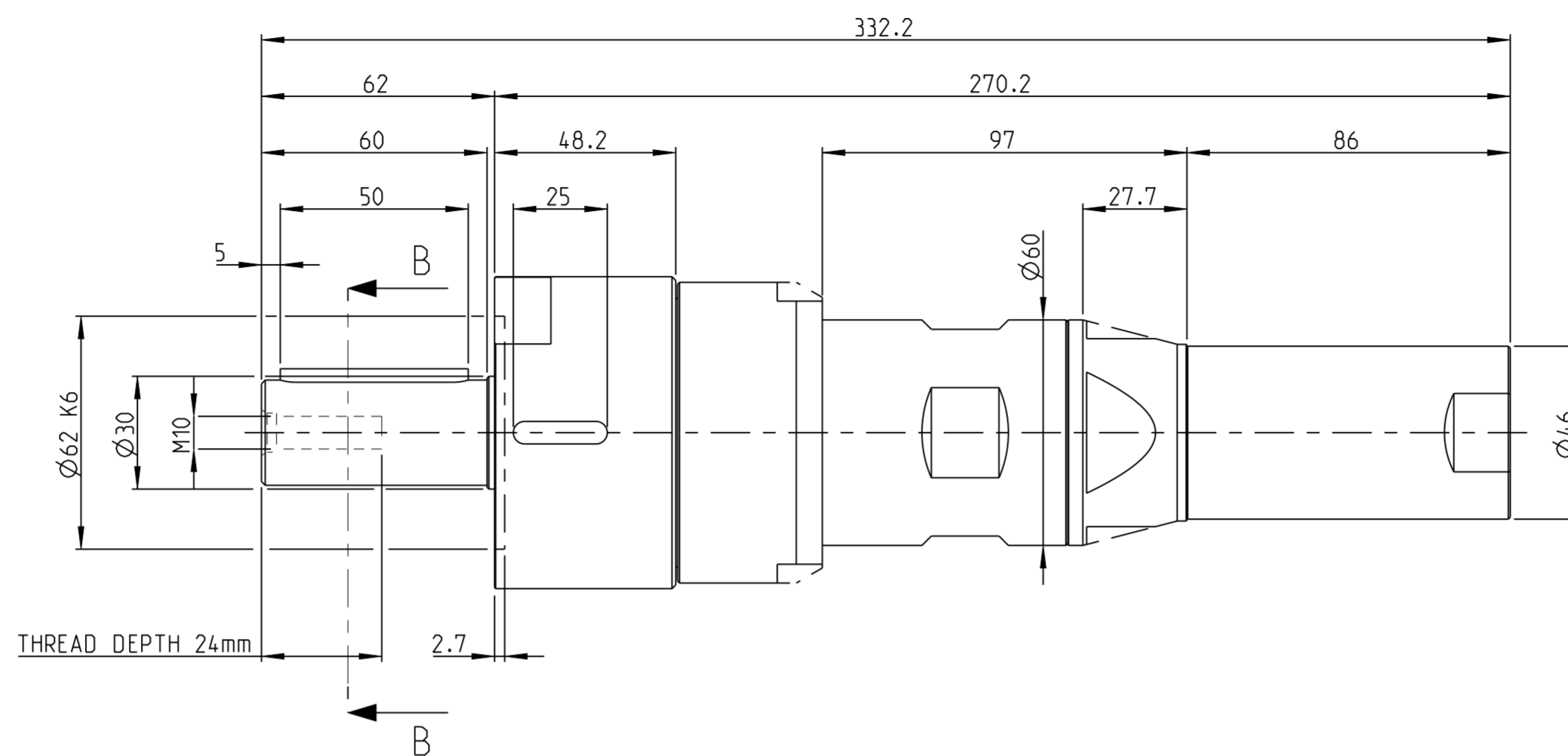
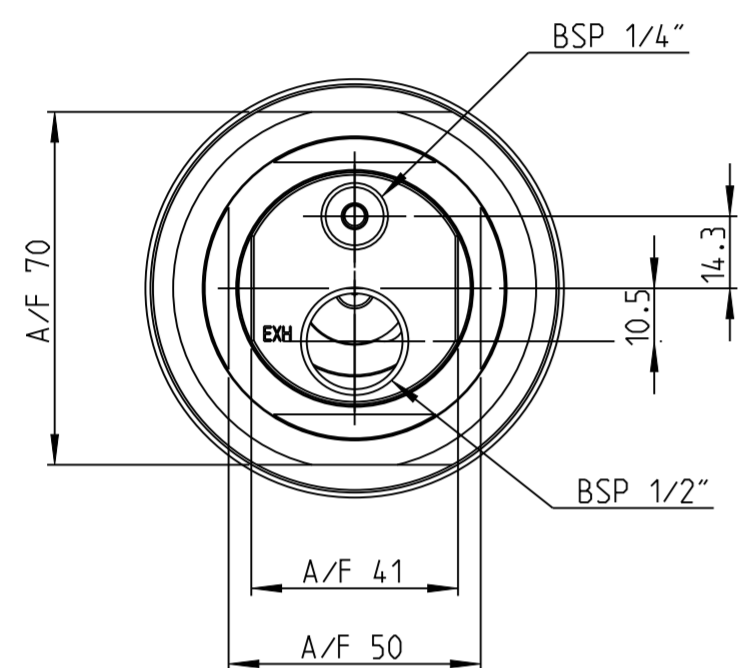


Model name	LZB46_AV_5_11	Rev: 0.6
Drawing name	LZB46_AV_5_11	Rev: 0.5



B-B

MOTOR NAME	ORDERING NO.
LZB46-L-AV0008-11	8411 0466 03
LZB46-L-AV0005-11	8411 0466 11

This document and its content is the intellectual property of Atlas Copco Industrial Technique AB. Any use, including but not limited to reproduction, distribution, publication, modification and copying without prior written authorization is strictly prohibited.

Note	Pos.	Modified from	Date	Intr.
0	-	-	-	-

Tolerances, if not indicated, according to:		-	-	-	-	-	
AC-STD		-	-	-	-	-	
Name	VANE MOTOR LZB46-L-AXXX-11			LZB46-A	Secrecy class		
Material	-			1102 K/-			
	-			CAD Pro/E			
	Scale	2:3	Format	A2	Family	-	
	Drawn	F GRINELL		Blank	-	Replaces	-
Transferred from	Cons.class	1295 K/-	Rev	0	Status	In Work	
	Mass/Volume	-	Date	2031-05-03		Designation	LZB46_AV_5_11
						Drawing owner	T00
						Sheet 1 (1)	