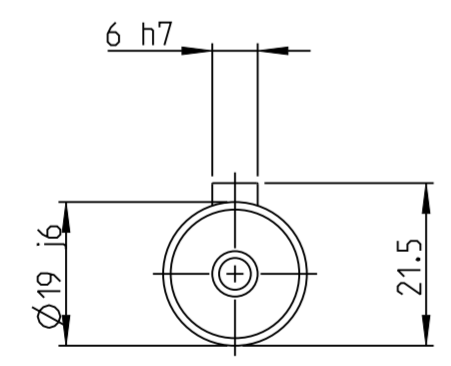
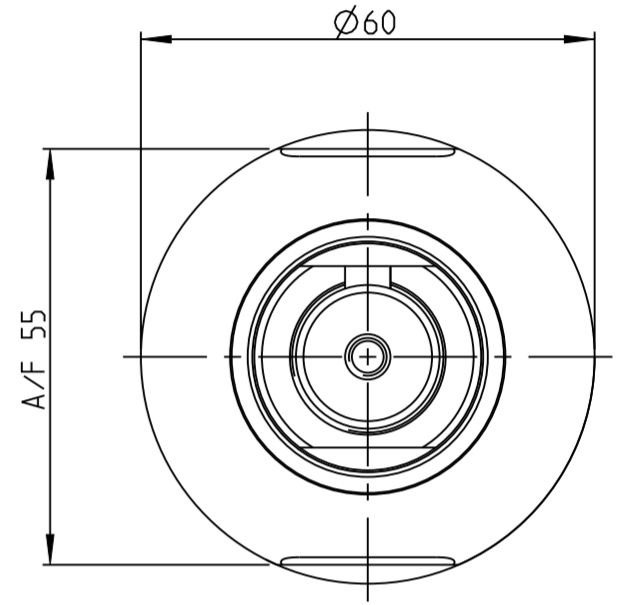
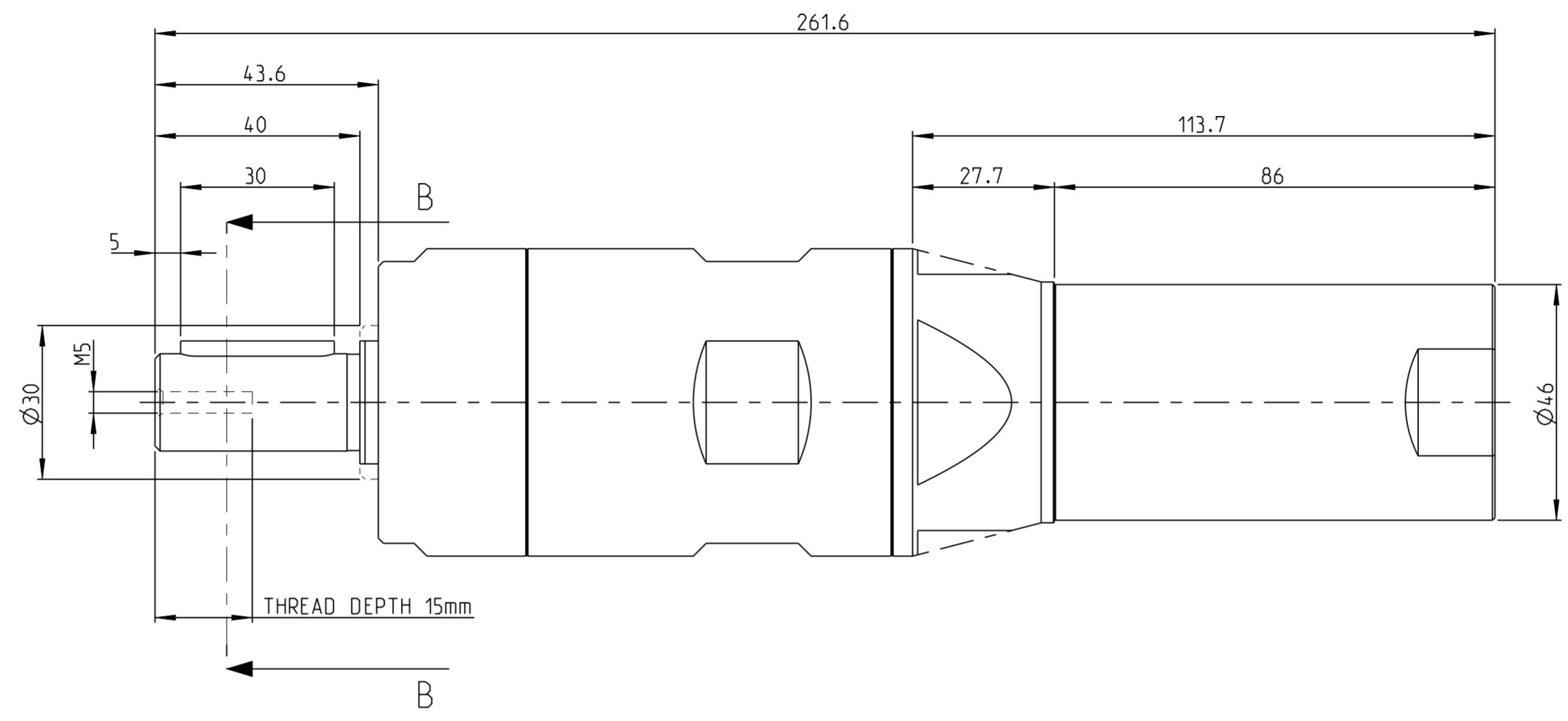
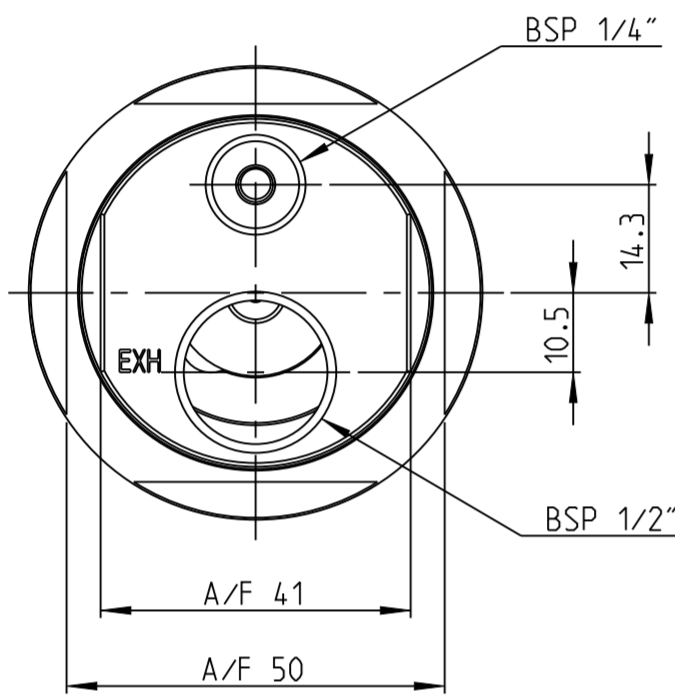


Model name	LZB46_AV_3_11	Rev: 0.0
Drawing name	LZB46_AV_3_11	Rev: 0.1



B-B

MOTOR NAME	ORDERING NO.
LZB46-L-AV0030-11	8411 0465 79
LZB46-L-AV0020-11	8411 0465 87
LZB46-L-AV0012-11	8411 0465 95

This document and its content is the intellectual property of Miss Copco Industrial Technique AB. Any reuse, including but not limited to reproduction, distribution, publication, modification and copying without prior written authorization is strictly prohibited.

Note	Pos.	Modified from	Date	Intr.
0	-	-	-	-

Tolerances, if not indicated, according to:		-	-	-	-	-	-	
AC-STD		-	-	-	-	-	-	
Name	VANE MOTOR LZB46-L-AVXXX-11			LZB46-AV	Secrecy class			
Material	-			1102 K/-				
				CAD Pro/E				
	Scale	1:1	Format	A2	Family	-	Compare	-
	Drawn	F GRINELL		Blank	-	Replaces	-	Drawing owner
Transferred from	Cons.class	1295 K/-	Rev	0	Status	In Work	Designation	LZB46_AV_3_11
		Mass/Volume	-	Date	2013-05-03		Sheet 1 (1)	