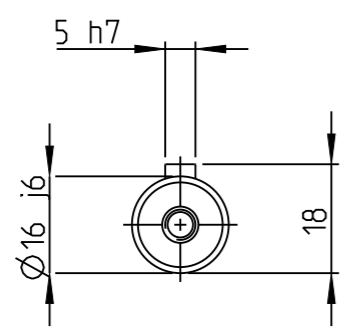
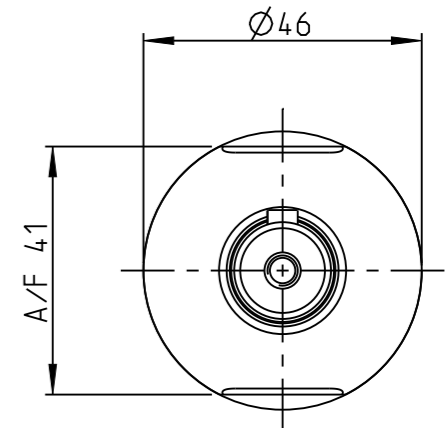
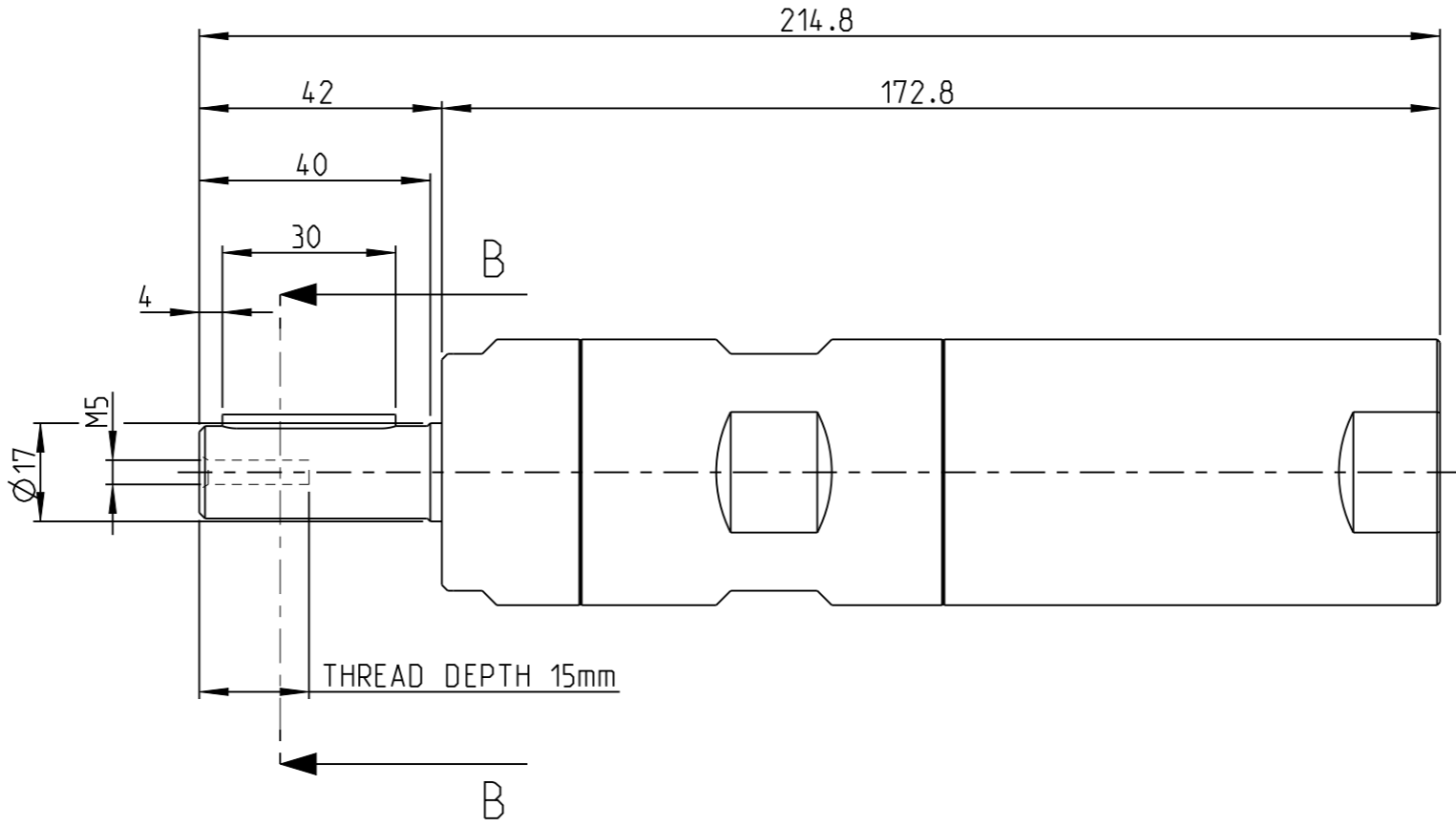
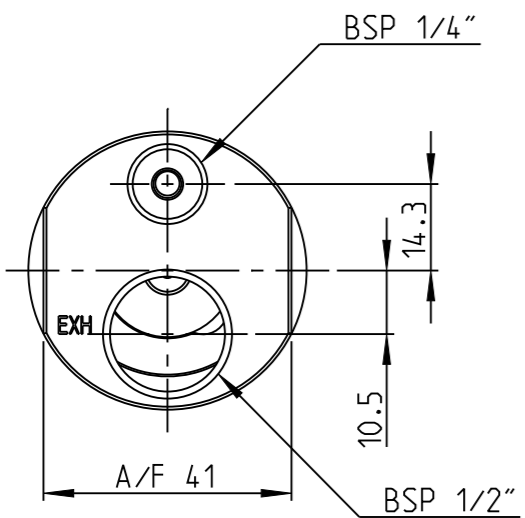


Model name	LZB46_AV_2_11	Rev. Ver	0.1
Drawing name	LZB46_AV_2_11	Rev. Ver	0.1



MOTOR NAME	ORDERING NO.
LZB46-L-AV015-11	8411 0465 46
LZB46-L-AV010-11	8411 0465 53
LZB46-L-AV005-11	8411 0465 61

This document and its content is the intellectual property of Atlas Copco Industrial Technique AB. Any use, including but not limited to reproduction, distribution, publication, modification and copying without prior written authorization is strictly prohibited.

Note	Pos.	Modified from	Date	Intr.
-	-	-	-	-

Tolerances, if not indicated, according to:		-	-	-	-	-
AC-STD		-	-	-	-	-
Name VANE MOTOR LZB46-L-AVXXX-11					LZB46-AV	Secrecy class
Material -					1102 K/-	
					CAD Pro/E	
		Scale 4:5	Format A3	Family -	Compare -	Drawing owner TOO
Drawn F GRINELL		Blank -		Replaces -		
Transferred from -		Cons.class 1295 K/-	Rev 0	Status In Work	Designation Sheet 1 (1) LZB46_AV_2_11	
		Mass/Volume -	Date 2013-05-02			