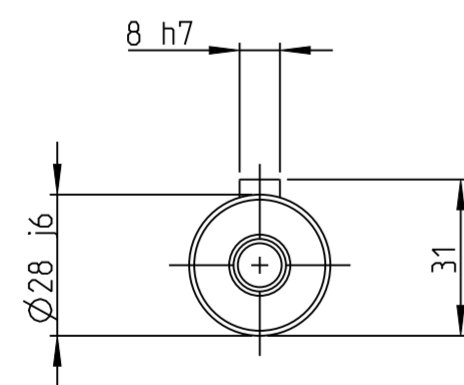
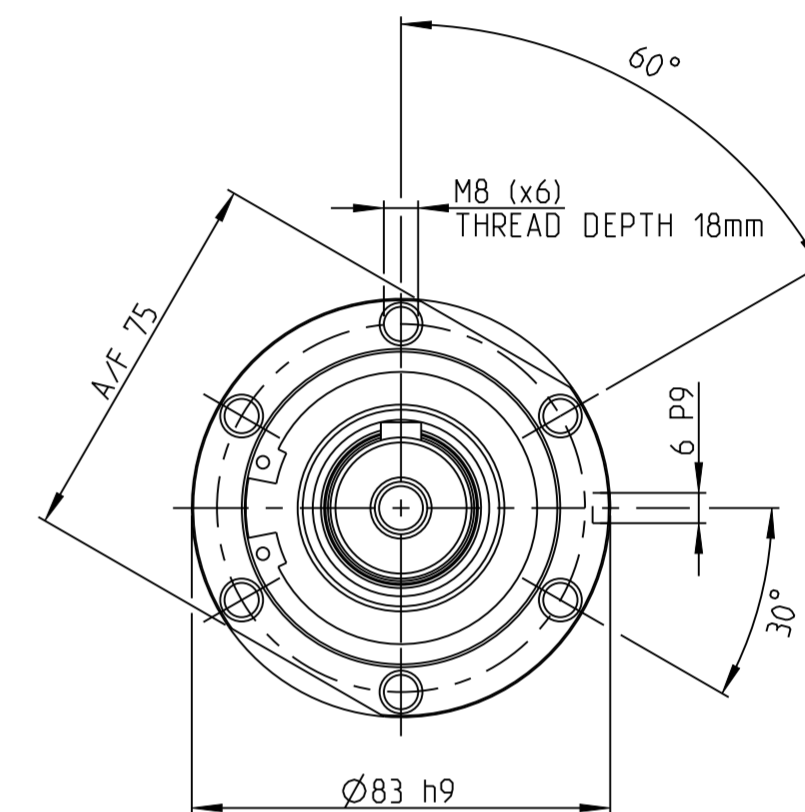
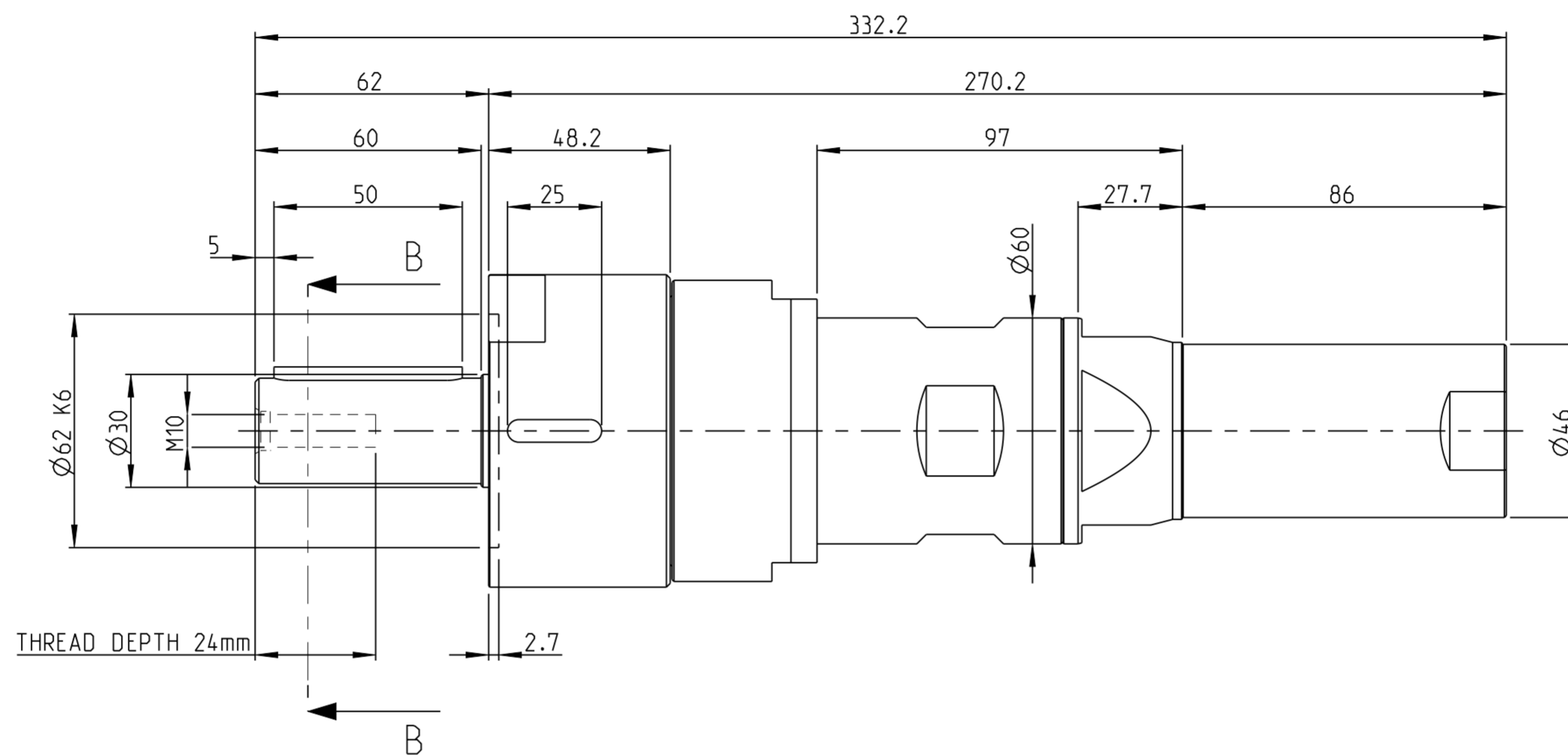
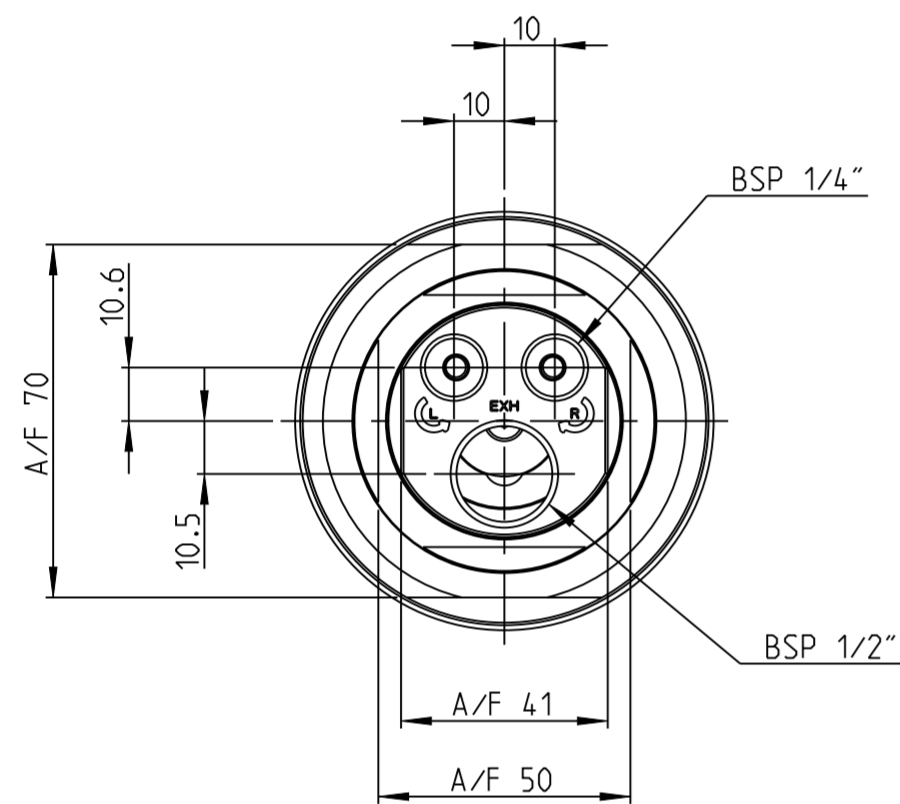


Model name	LZB46_AR_4_11	Rev: 0.2
Drawing name	LZB46_AR_4_11	Rev: 0.2



B-B

MOTOR NAME	ORDERING NO.
LZB46-L-AR0006-11	8411 0464 05
LZB46-L-AR0004-11	8411 0464 13

This document and its content is the intellectual property of Atlas Copco Industrial Technique AB. Any use, including but not limited to reproduction, distribution, publication, modification and copying without prior written authorization is strictly prohibited.

Note	Pos.	Modified from	Date	Intr.
0	-	-	-	-

Tolerances, if not indicated, according to:		AC-STD			
Name VANE MOTOR LZB46-L-ARXXX-11			LZB46-AR		Secrecy class
Material -			1102 K/-		
			CAD Pro/E		
Scale 2:3		Format A2	Family -	Compare -	Drawing owner
		Blank -	Replaces -		
Drawn F GRINELL		Status In Work		Designation	
Transferred from -		Cons.class 1295 K/-	Rev 0	Date 2013-05-06	Sheet 1 (1)
Mass/Volume -		LZB46_AR_4_11			