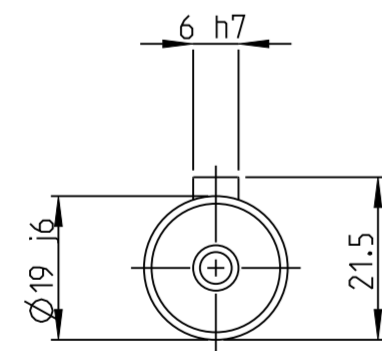
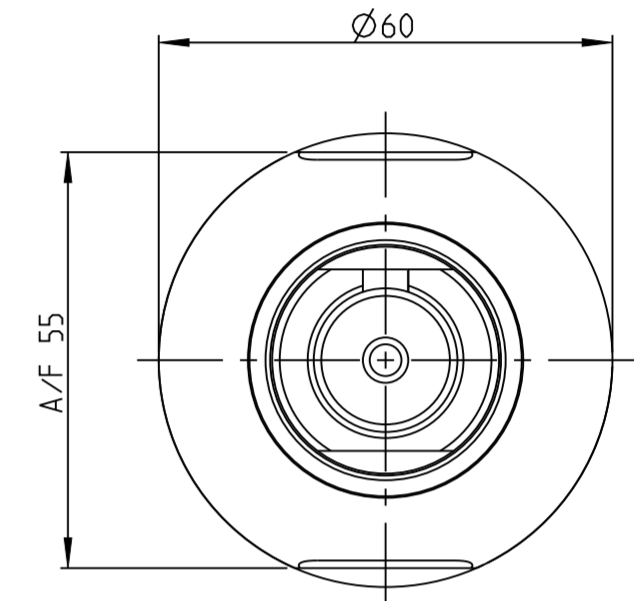
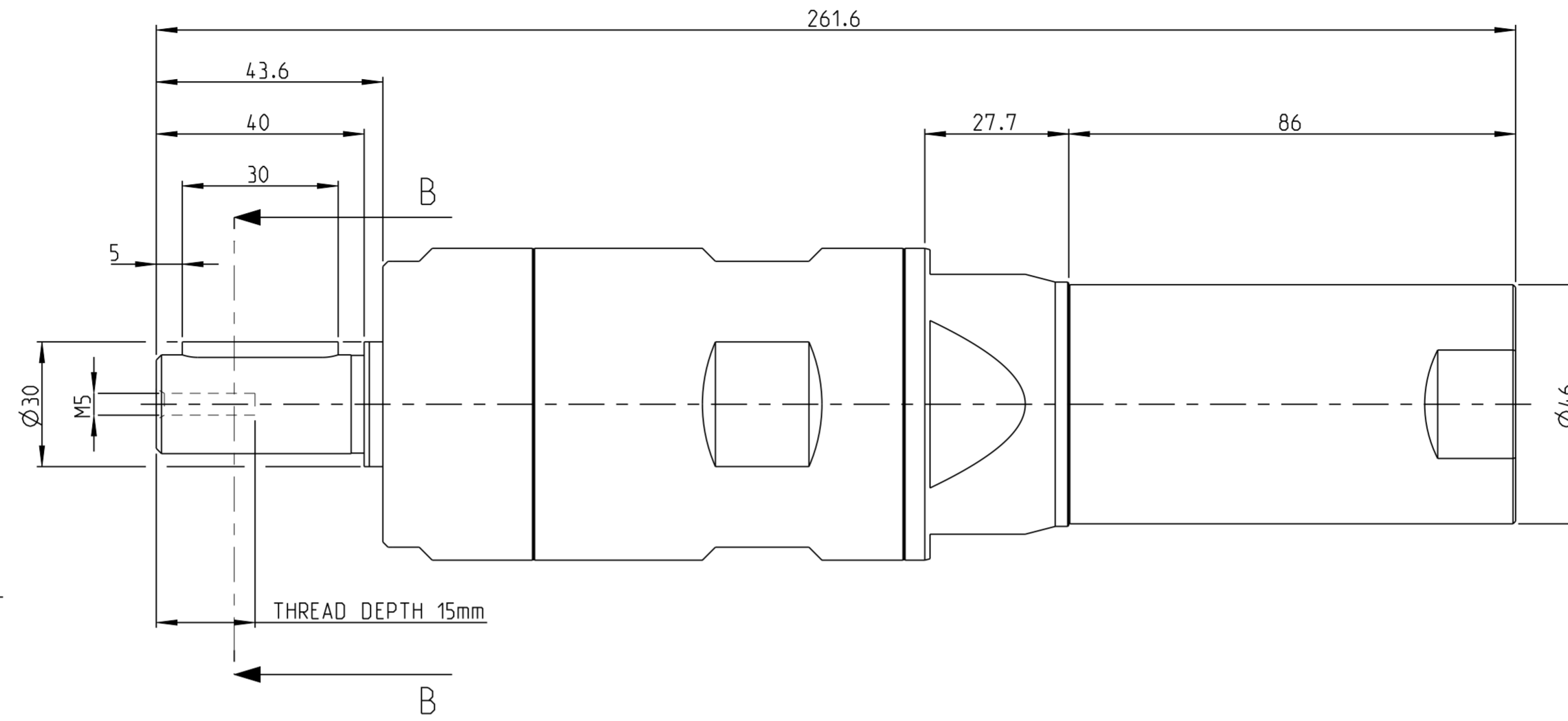
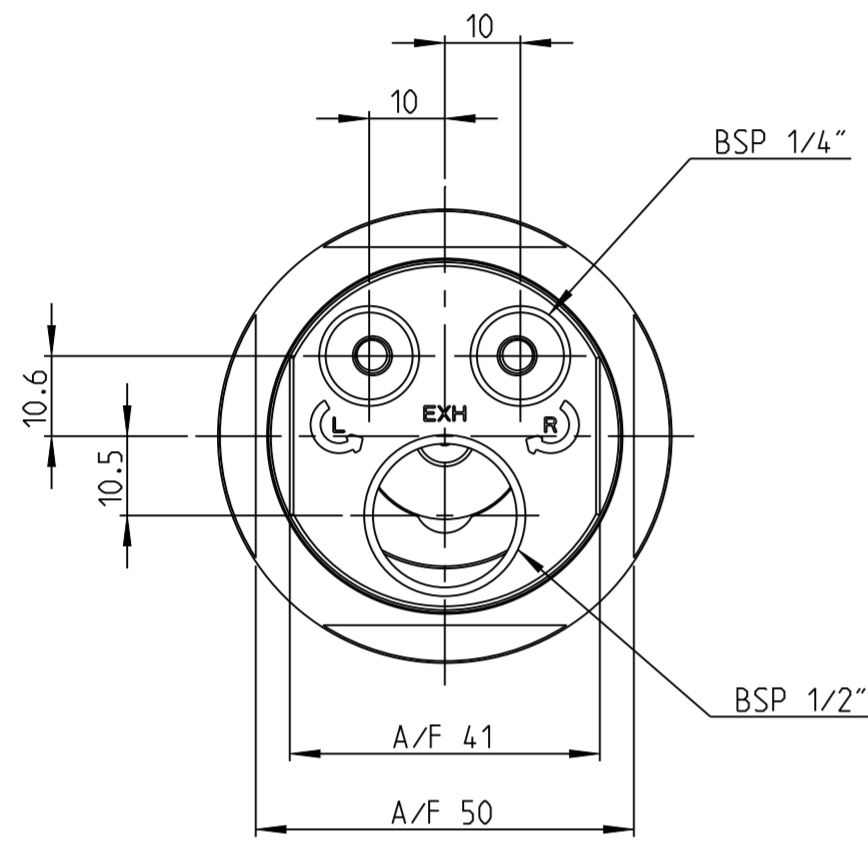


Model name	LZB46_AR_3_11	Rev. No.	0.0
Drawing name	LZB46_AR_3_11	Rev. No.	0.0



B-B

MOTOR NAME	ORDERING NO.
LZB46-L-AR0025-11	8411 0463 71
LZB46-L-AR0015-11	8411 0463 89
LZB46-L-AR0010-11	8411 0463 97

This document and its content is the intellectual property of Atlas Copco Industrial Technique AB. Any use, including but not limited to reproduction, distribution, publication, modification and copying without prior written authorization is strictly prohibited.

Note	Pos.	Modified from	Date	Intr.
0	-	-	-	-

Tolerances, if not indicated, according to:		AC-STD			
Name			VANE MOTOR LZB46-L-ARXXX-11		LZB46-AR
Material			-		1102 K/-
Scale			1:1	Format	A2
Family			-	Compare	-
Blank			-	Replaces	-
Status			Design	Designation	
Date			2013-05-06	LZB46_AR_3_11	
Drawing owner			TOO		
Sheet 1 (1)					