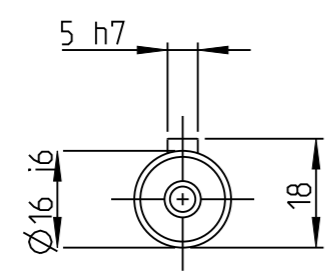
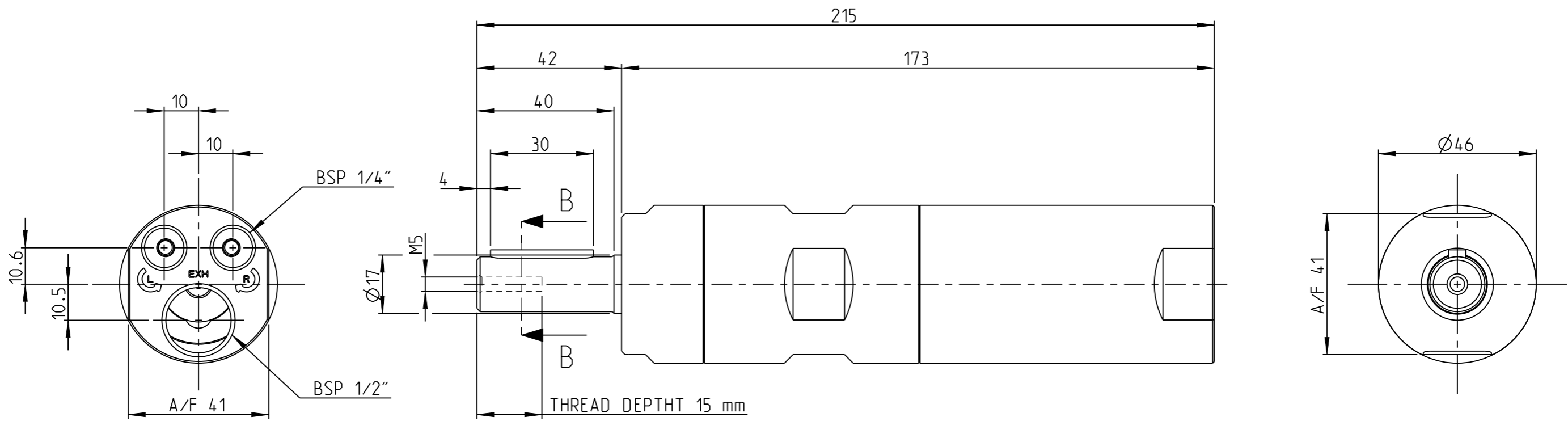


Model name	LZB46_AR_1_11	Rev.Ver	0.4
Drawing name	LZB46_AR_1_11	Rev.Ver	0.5



B-B

MOTOR NAME	ORDERING NO.
LZB46-L-AR170-11	8411 0463 06
LZB46-L-AR050-11	8411 0463 14
LZB46-L-AR030-11	8411 0463 22
LZB46-L-AR020-11	8411 0463 30

This document and its content is the intellectual property of Atlas Copco Industrial Technique AB. Any use, including but not limited to reproduction, distribution, publication, modification and copying without prior written authorization is strictly prohibited.

Note	Pos.	Modified from	Date	Intr.
0	-	-	-	-

Tolerances, if not indicated, according to:		-	-	-	-	-
AC-STD		-	-	-	-	-
Name VANE MOTOR LZB46-L-ARXXX-11					LZB46-AR	
Material -					Secrecy class 1102 K/-	
					CAD Pro/E	
Scale 4:5		Format A3	Family -	Compare -		Drawing owner TOO
Drawn F GRINELL		Blank -		Replaces -		
Transferred from -		Cons.class 1295 K/-	Rev 0	Status In Work	Designation LZB46_AR_1_11	
		Mass/Volume -	Date 2013-05-3	Sheet 1 (1)		