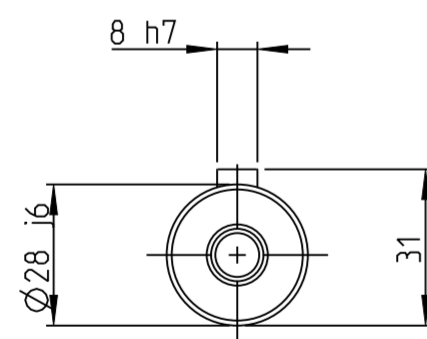
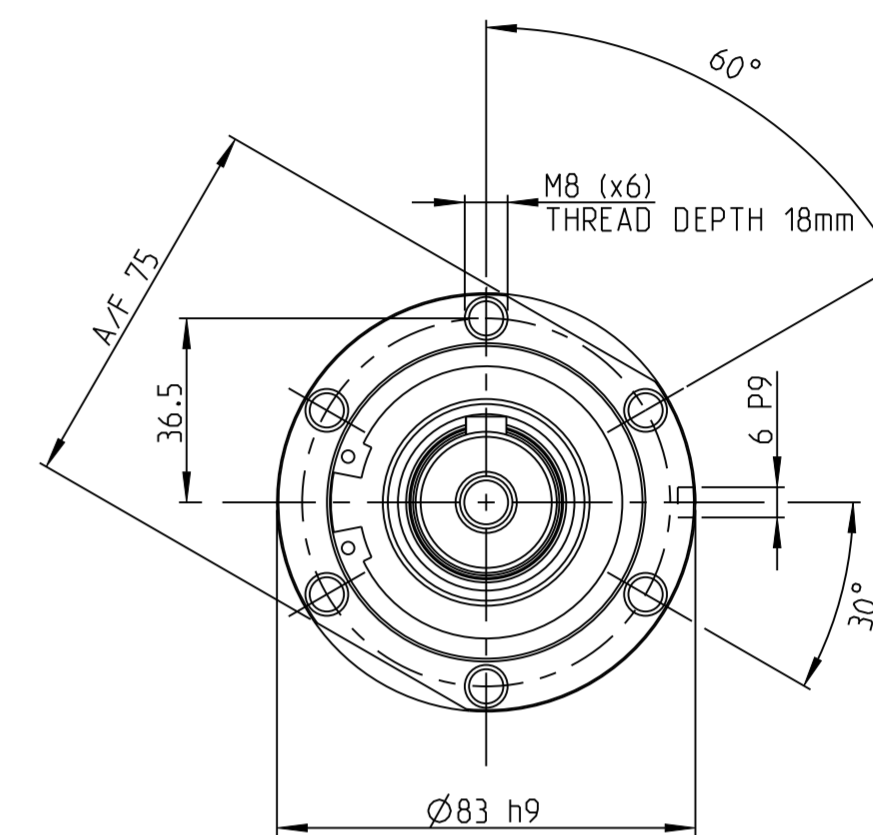
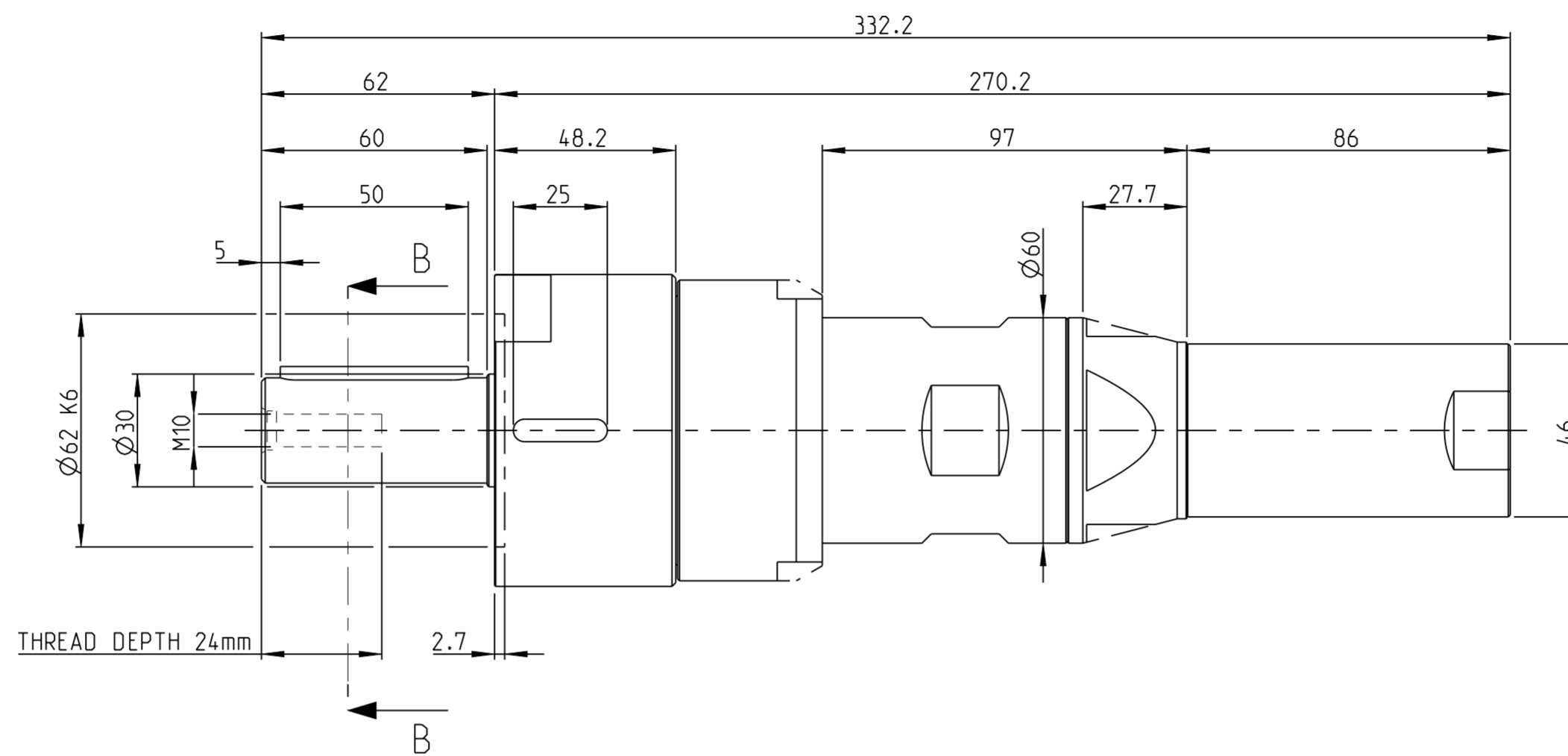
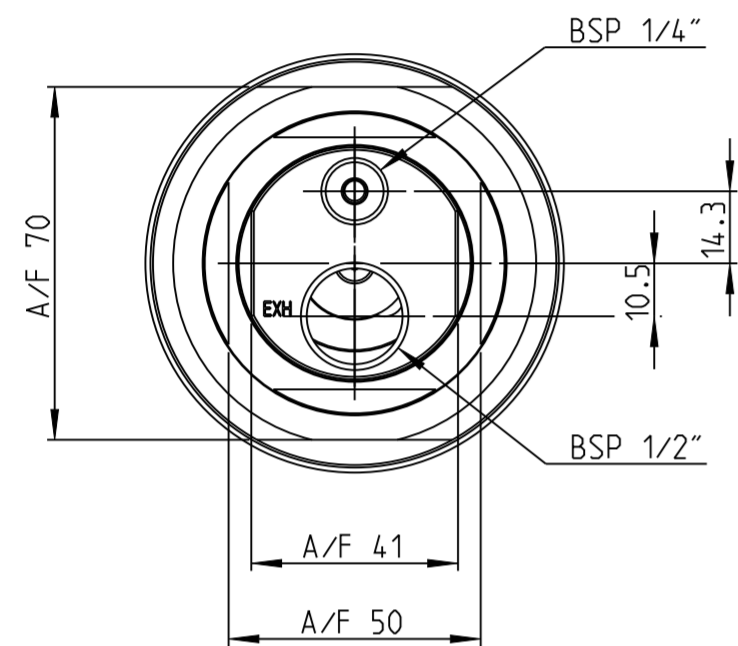


Model name	LZB46_A_5_11	Rev: 0.4
Drawing name	LZB46_A_5_11	Rev: 0.3



B-B

MOTOR NAME	ORDERING NO.
LZB46-L-A0008-11	8411 0461 08
LZB46-L-A0005-11	8411 0461 16

This document and its content is the intellectual property of Atlas Copco Industrial Technique AB. Any use, including but not limited to reproduction, distribution, publication, modification and copying without prior written authorization is strictly prohibited.

Note	Pos.	Modified from	Date	Intr.
0	-	-	-	-

Tolerances, if not indicated, according to:		-	-	-	-	-
AC-STD		-	-	-	-	-
Name	VANE MOTOR LZB46-L-AXXX-11			LZB46-A	Secrecy class	
Material	-			1102 K/-	CAD	Pro/E
Scale	2:3	Format	A2	Family	-	Compare
Drawn	F GRINELL	Blank	-	Replaces	-	Drawing owner
Cons.class	1295 K/-	Rev	0	Status	In Work	T00
Transferred from	-	Mass/Volume	-	Date	2031-05-03	Designation
				LZB46_A_5_11		Sheet 1 (1)