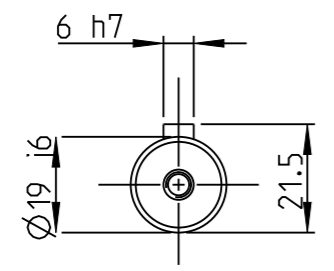
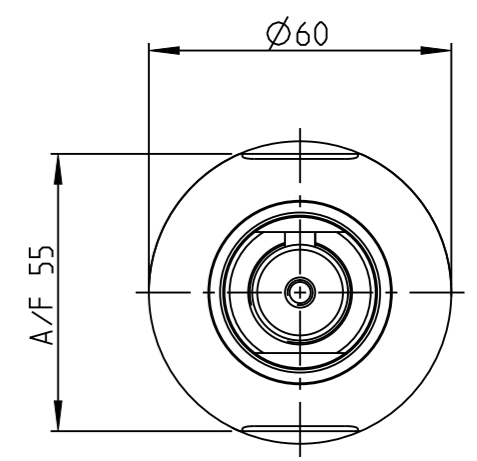
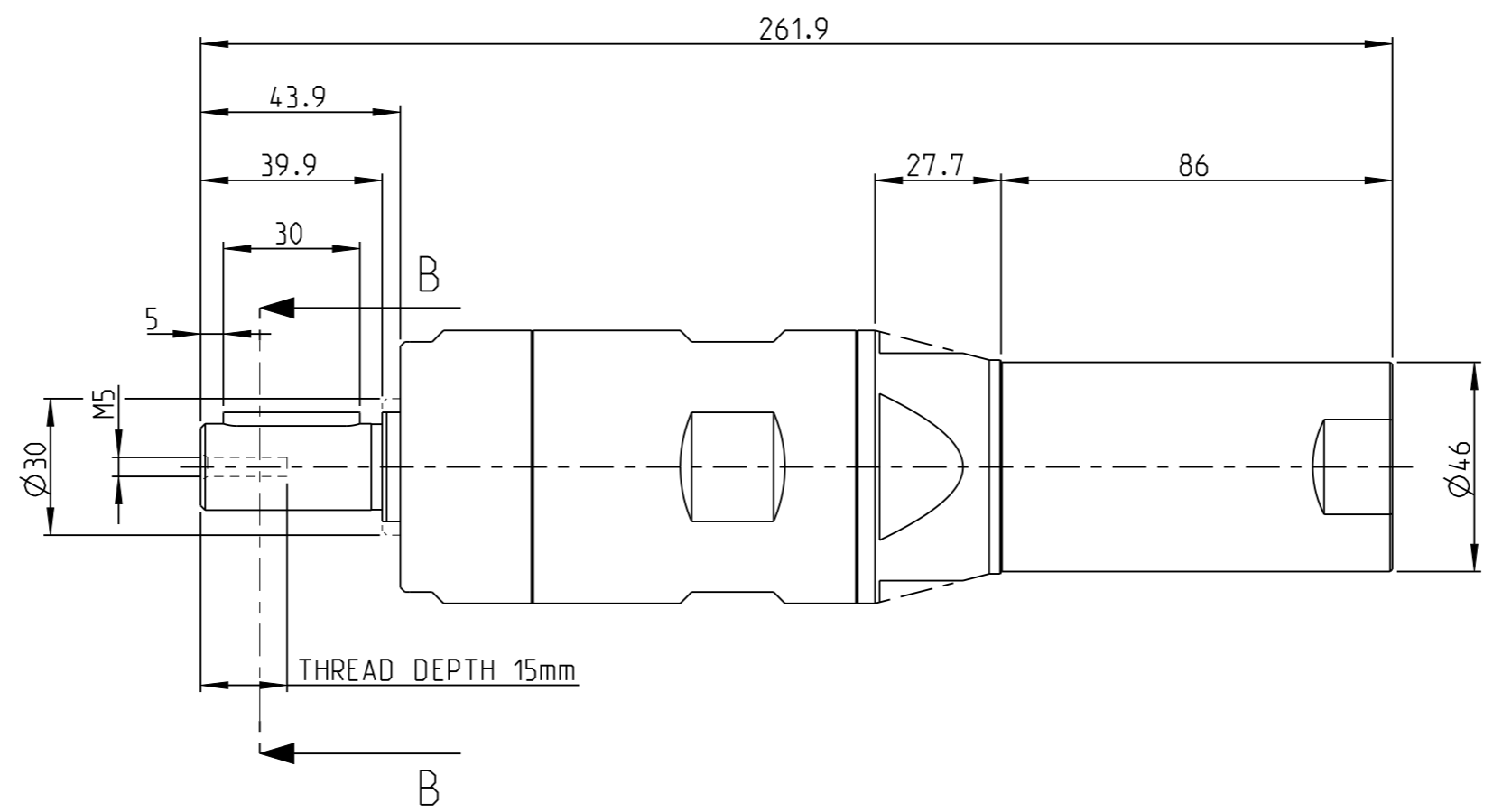
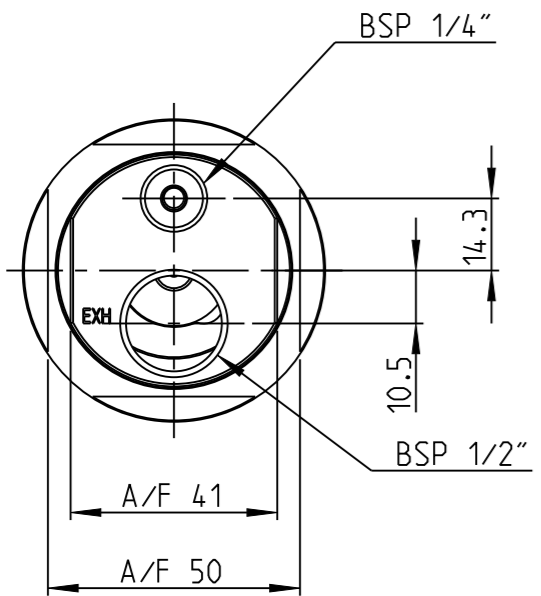


Model name LZB46_A_3_11 Rev.Ver 0.2
 Drawing name LZB46_A_3_11 Rev.Ver 0.2



B-B

MOTOR NAME	ORDERING NO.
LZB46-L-A0030-11	8411 0460 74
LZB46-L-A0020-11	8411 0460 82
LZB46-L-A0012-11	8411 0460 90

This document and its content is the intellectual property of Atlas Copco Industrial Technique AB. Any use, including but not limited to reproduction, distribution, publication, modification and copying without prior written authorization is strictly prohibited.

Note	Pos.	Modified from	Date	Intr.
0	-	-	-	-

Tolerances, if not indicated, according to:		-	-	-	-	-
AC-STD		-	-	-	-	-
Name VANE MOTOR LZB46-L-AXXX-11					LZB46-A	Secrecy class
Material -					1102 K/-	
					CAD Pro/E	
	Scale	2:3	Format	A3	Family	-
	Drawn	F GRINELL		Blank	-	-
Transferred from	Cons.class	1295 K/-	Rev	0	Status	In Work
	Mass/Volume	-	Date	2013-05-03	Designation	LZB46_A_3_11
					Drawing owner	T00
					Sheet 1 (1)	

A
B
C
D
E
F
G