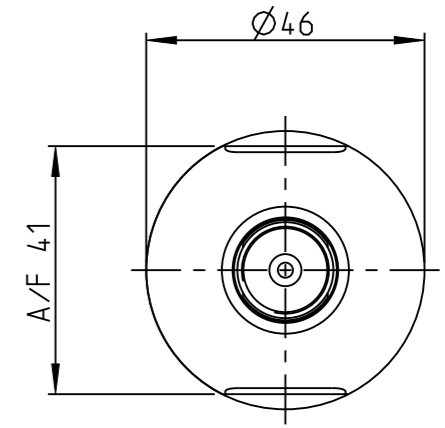
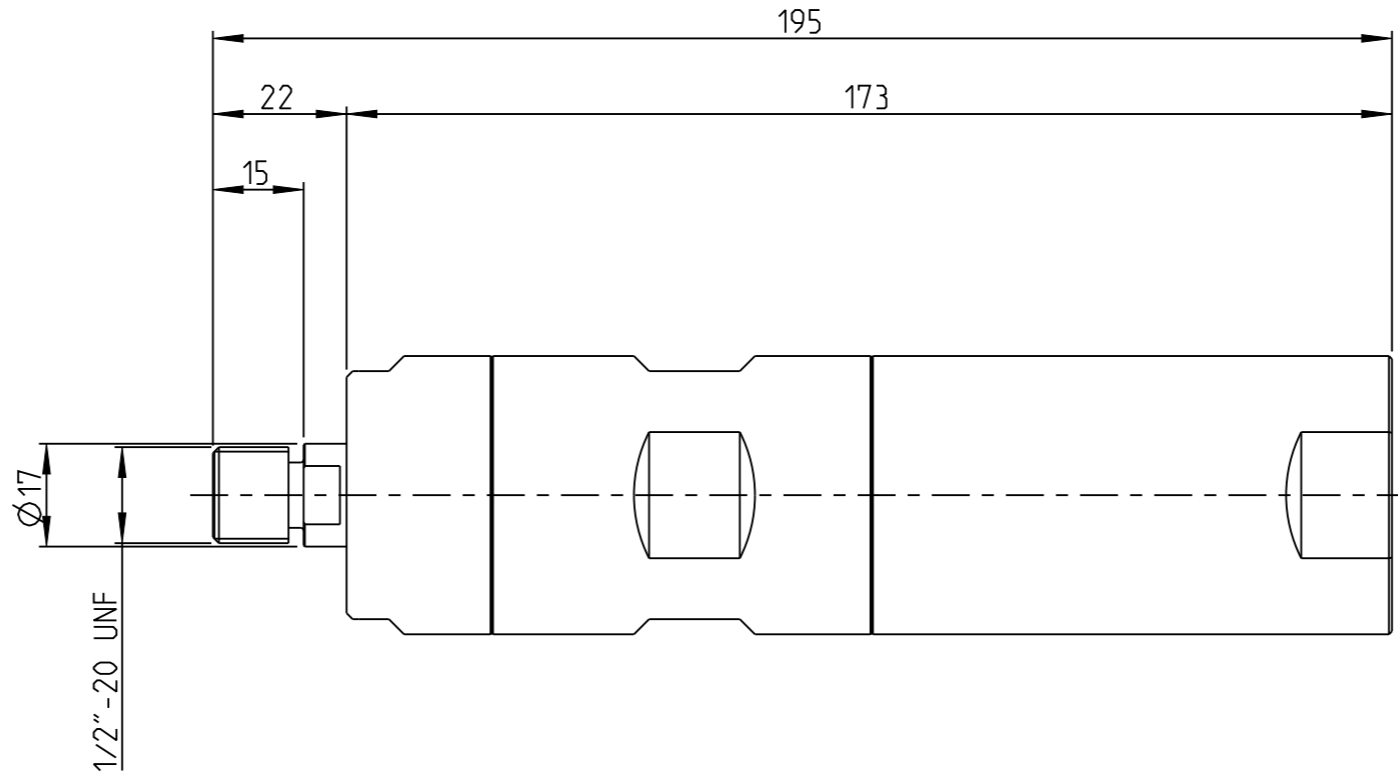
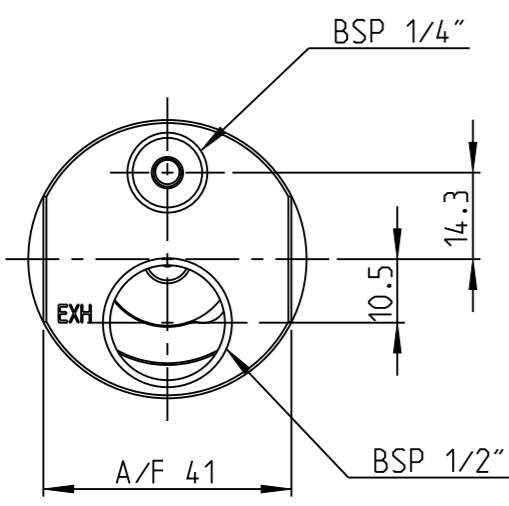


Model name	LZB46_A_1_12	Rev. Ver	0.5
Drawing name	LZB46_A_1_12	Rev. Ver	0.5

This document and its content is the intellectual property of Atlas Copco Industrial Technique AB. Any use, including but not limited to reproduction, distribution, publication, modification and copying without prior written authorization is strictly prohibited.



MOTOR NAME	ORDERING NO.
LZB46-L-A200-12	8411 0469 00
LZB46-L-A065-12	8411 0469 18
LZB46-L-A040-12	8411 0469 26
LZB46-L-A025-12	8411 0469 34
LZB46-L-A015-12	8411 0469 42
LZB46-L-A010-12	8411 0469 59
LZB46-L-A005-12	8411 0469 67

Tolerances, if not indicated, according to:		-	-	-	-	-	
AC-STD		-	-	-	-	-	
Name VANE MOTOR LZB46-L-AXXX-12					LZB46-A	Secrecy class	
Material -					1102 K/-		
					CAD Pro/E		
	Scale	4:5	Format	A3	Family	-	
	Drawn	D Öhlund		Blank	-	Replaces	-
Transferred from	Cons.class	1295 K/-	Rev	0	Status	In Work	
	Mass/Volume	-	Date	-	Designation	LZB46_A_1_12	
						Drawing owner	T00
						Sheet 1 (1)	

Note	Pos.	Modified from	Date	Intr.
0	-	-	-	-