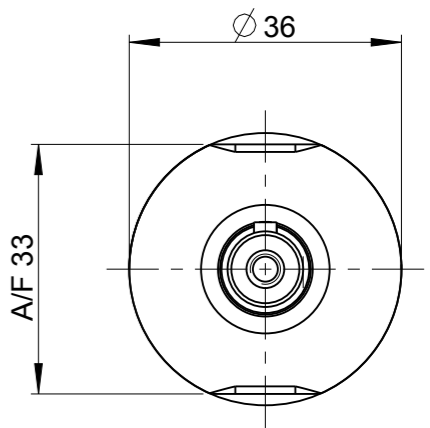
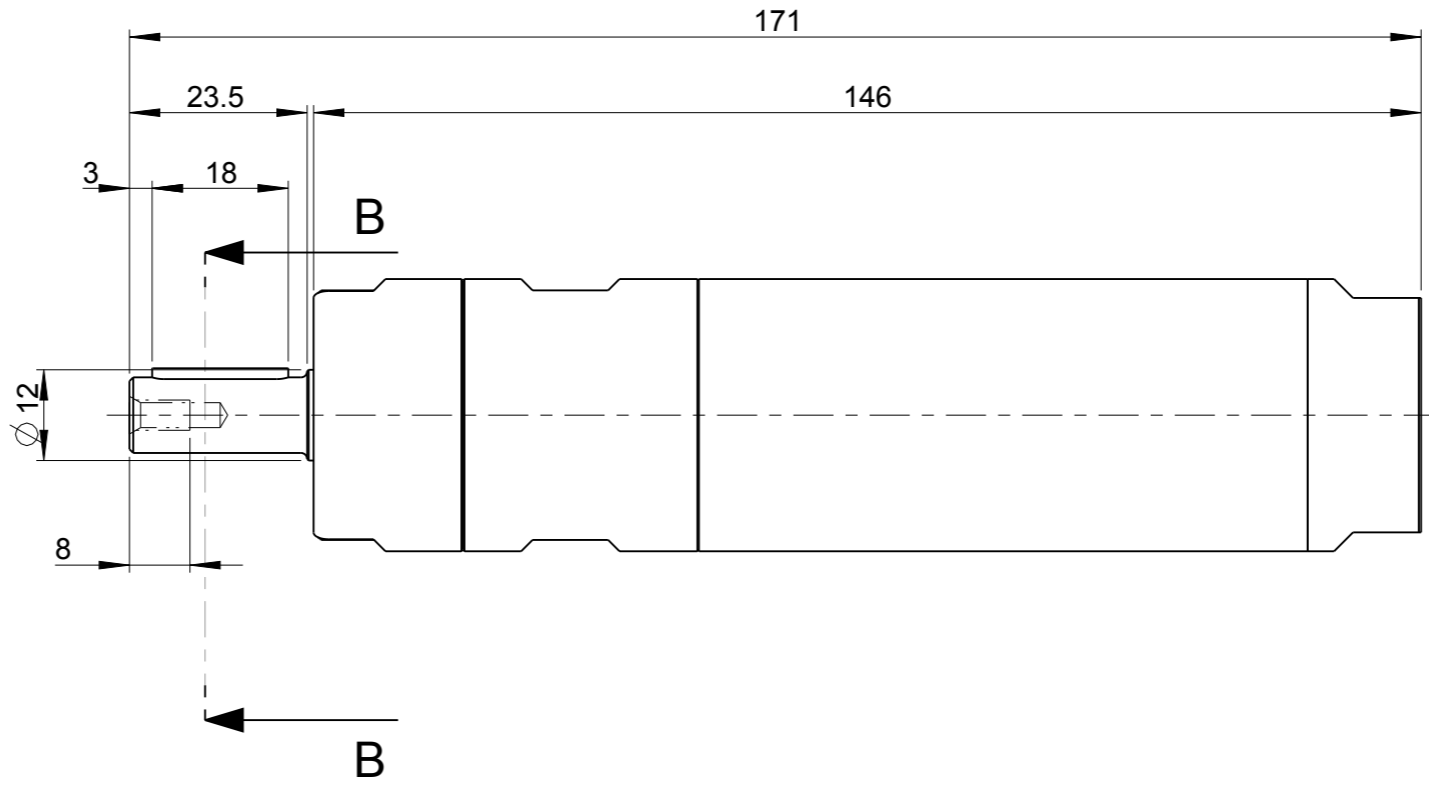
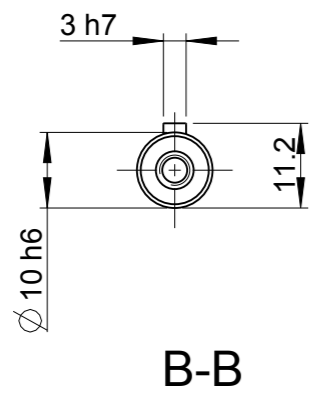
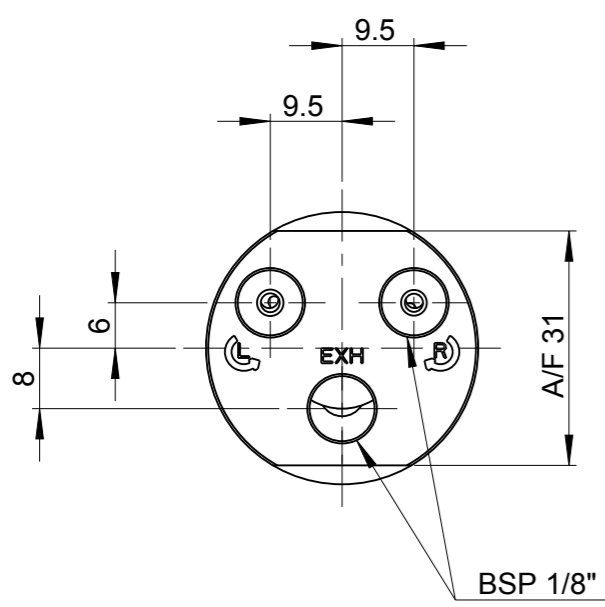


Model name	LZB22_RL_AR_2_11	Rev/Ver	0.6
Drawing name	LZB22_RL_AR_2_11	Rev/Ver	0.8



MOTOR NAME	ORDERING NO.
LZB22-RL-AR006-11	8411 0220 59
LZB22-RL-AR005-11	8411 0222 08
LZB22-RL-AR003-11	8411 0220 91

Tolerances, if not indicated, according to:		-	-	-	-	-
AC-STD		-	-	-	-	-
Name			VANE MOTOR LZB22-RL-ARXXX-11		LZB22-RL-AR	
Material			STAINLESS STEEL/LUBRICATION FREE		1102 K/-	
					CAD Pro/E	
Scale		1:1	Format		A3	
Drawn		F GRINELL		Family		-
Transferred from		-		Blank		-
Cons.class		1295 K/-	Rev		0	
Mass/Volume		-		Status		In Work
Date		2013-04-17		Designation		LZB22_RL_AR_2_11
Drawing owner			TOO			
Sheet 1 (1)						

Note	Pos.	Modified from	Date	Intr.
0	-	-	-	-

This document is our property and shall not without our permission be altered, copied, used for manufacturing or communicated to any other person or company.