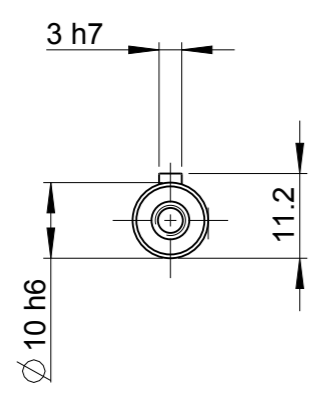
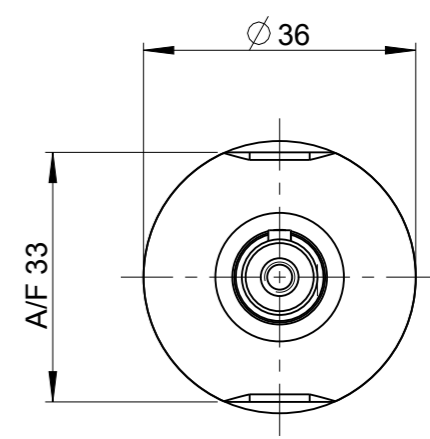
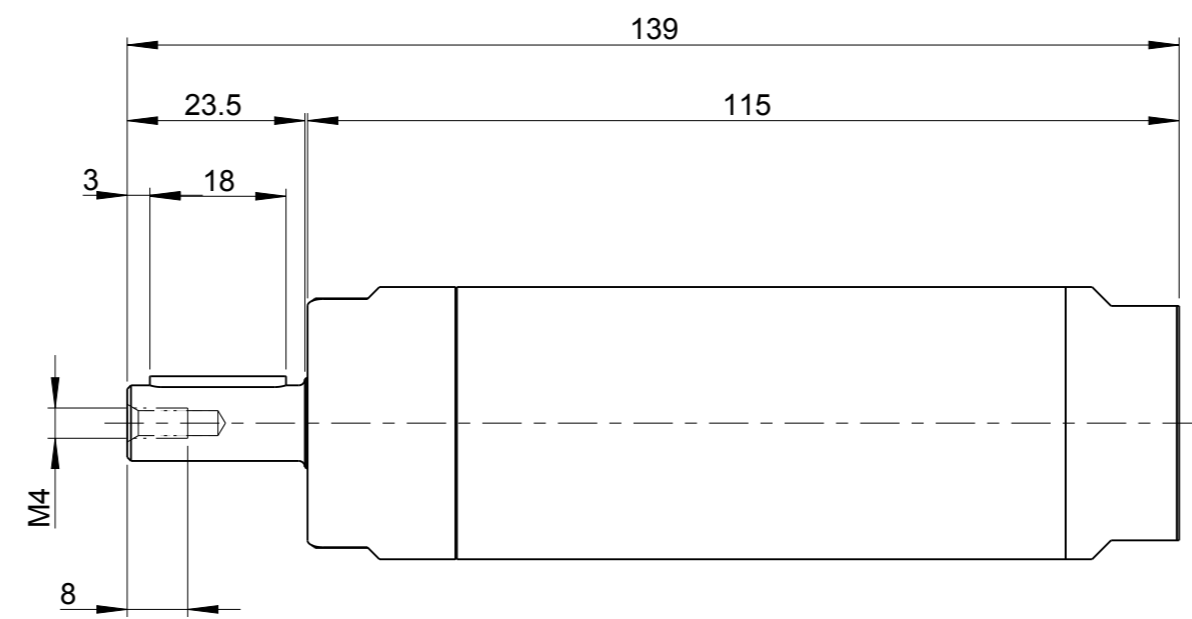
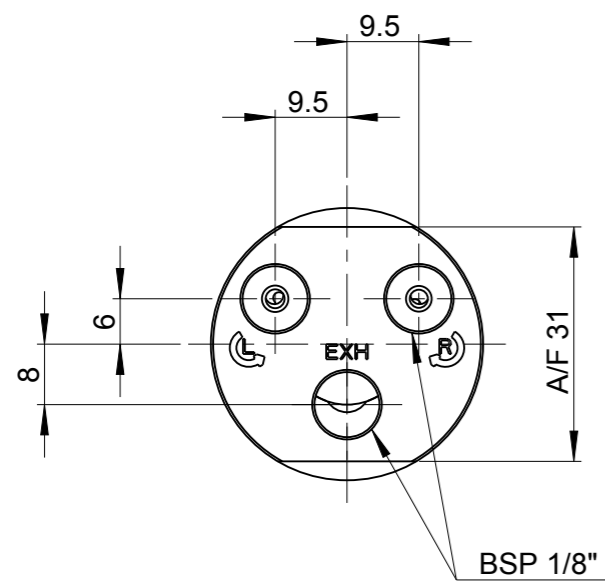


Model name	LZB22_RL_AR_1_11	Rev/Ver	0.4
Drawing name	LZB22_RL_AR_1_11	Rev/Ver	0.6



B-B

MOTOR NAME	ORDERING NO
LZB22-RL-AR126-11	8411 0220 83
LZB22-RL-AR028-11	8411 0220 75
LZB22-RL-AR021-11	8411 0222 16
LZB22-RL-AR013-11	8411 0220 67

This document is our property and shall not without our permission be altered, copied, used for manufacturing or communicated to any other person or company.

Note	Pos.	Modified from	Date	Intr.
0	-	-	-	-

Tolerances, if not indicated, according to:		-	-	-	-	-
AC-STD		-	-	-	-	-
Name		VANE MOTOR LZB22-RL-ARXXX-11			LZB22-RL-AR	
Material		STAINLESS STEEL/LUBRICATION FREE			1102 K/-	
					CAD Pro/E	
Scale		1:1	Format	A3	Family	-
Drawn		F GRINELL		Blank	-	
Cons.class		1295 K/-	Rev	0	Status	In Work
Transferred from				Date	2013-04-17	
Mass/Volume				Designation		
				LZB22_RL_AR_1_11		
					Drawing owner	
					TOO	
					Sheet 1 (1)	