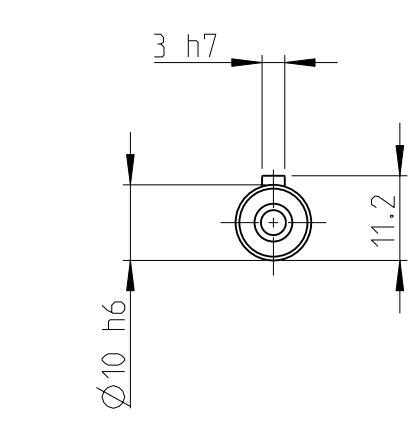
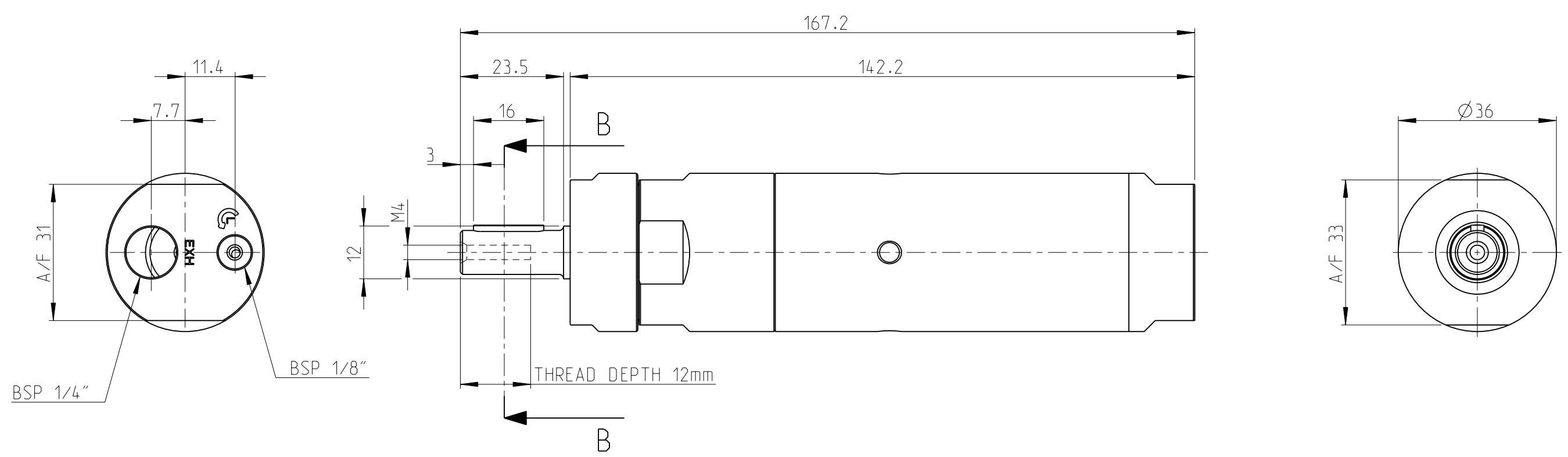


Model name LZB22-L-AV_2_11 Rev.Ver 0.3
 Drawing name LZB22-L-AV_2_11 Rev.Ver 0.3



MOTOR NAME	ORDERING NO.
LZB22-L-AV011-11	8411 0226 22
LZB22-L-AV008-11	8411 0226 30
LZB22-L-AV005-11	8411 0226 48

B-B

This document is our property and shall not without our permission be altered, copied, used for manufacturing or communicated to any other person or company.

Note	Pos.	Modified from	Date	Intr.
0	-	-	-	-

Tolerances, if not indicated, according to:		-	-	-	-	-
AC-STD		-	-	-	-	-
Name VANE MOTOR LZB22-L-AVXXX-11				LZB22-L-AV		Secrecy class
Material LUBRICANT FREE				1102 K/-		
				CAD Pro/E		
	Scale	1:1	Format	A3	Family	-
	Drawn	F GRINELL		Blank	-	
Transferred from	Cons.class	1295 K/-	Rev	0	Status	Design
	Mass/Volume	-		Date	2013-04-16	Designation
						Sheet 1 (1)
						Drawing owner
						T00
						LZB22_L_AV_2_11