

SAFETY AND PROPER USAGE

To ensure safe and enduring performance of this product, you must comply strictly with the instructions enclosed herein. Non-compliance with instructions or improper handling of the product will void your warranty! Usage of this product in conditions not specified in this manual or in contrary to the instructions hereby provided is considered IMPROPER. The manufacturer will not be held liable for any damages resulting from improper use of the product.

SAFETY & WARNING INSTRUCTIONS

- Observe valid and generally accepted safety rules when planning, installing and using this product.
- Take proper measures to prevent unintentional operation of the product or damage to it.
- Do not attempt to disassemble this product or lines in the system while they are under pressure.
- Always depressurize the compressed air system before working on the system.

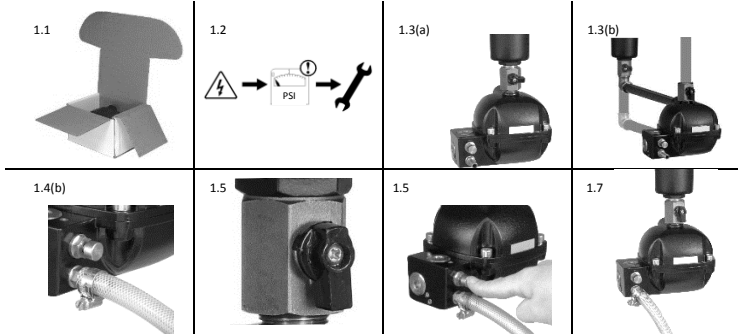
It is important that personnel use safe working practices and observe all regulations and legal requirements for safety when operating this product. When handling, operating or carrying out maintenance on this product, personnel must employ safe engineering practices and observe all local health & safety requirements & regulations. International users refer to regulations that prevail within the country of installation. Most accidents, which occur during the operation and maintenance of machinery, are the result of failure to observe basic safety rules or precautions. An accident can often be avoided by recognizing a situation that is potentially dangerous. Improper operation or maintenance of this product could be dangerous and result in an accident causing injury or death. The manufacturer cannot anticipate every possible circumstance, which may represent a potential hazard. The WARNINGS in this manual cover the most common potential hazards and are therefore not all-inclusive. If the user employs an operating procedure, an item of equipment or a method of working which is not specifically recommended by the manufacturer he must ensure that the product will not be damaged or made unsafe and that there is no risk to persons or property.

NEVER CHANGE ORIGINAL COMPONENTS WITH ALTERNATIVES

⚠ WARNING This product can expose you to chemicals including lead, which is known to the State of California to cause cancer and/or birth defects or other reproductive harm. For more information, go to www.P65Warnings.ca.gov



1280 8055 91



INSTALLATION INSTRUCTIONS

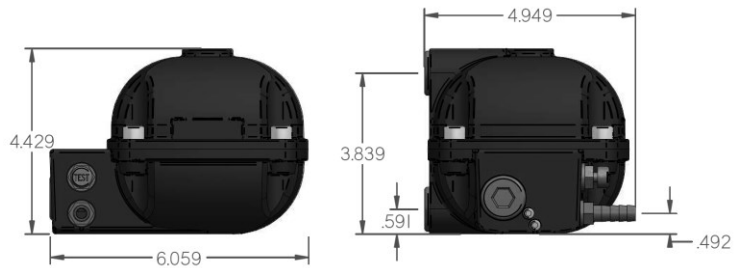
Before installing this product, make sure it complies with your request and that it suits your application!

- 1.1 Unpack the unit and visually inspect for any transport damage incurred after leaving our factory.
 - 1.2 Depressurize the system before installation or maintenance is carried out!
 - 1.3a **Top inlet connection:** If you choose to use the top inlet, locate a suitable condensate draining point in your compressed air system and connect your drain as illustrated. *The use of a ball valve is advisable.*
 - 1.3b **Side inlet connection:** If you choose to use the side inlet, locate a suitable condensate draining point in your compressed air system and connect your drain as illustrated. *The use of a venting line may be required.*
 - 1.4 Connect the outlet to an Oil/Water separator. *We advise to use the nipple supplied with your drain. If it is necessary to use an alternative nipple, make sure it is of the correct thread (1/4" BSP). Do not over tighten!*
 - 1.5 Slowly open the ball valve to restore normal system pressure.
 - 1.6 Press and hold down the TEST knob to check the pneumatic valve function. *A purging sound must be heard.*
 - 1.7 Your drain is ready for operation!
- Note: We advise to check this product at least once a year and replace serviceable parts when necessary.
Note: Clean the strainer periodically to avoid possible blocking causes by rust and/or debris.
Note: Check the valve function periodically by pressing the TEST button. A purging sound must be heard.*

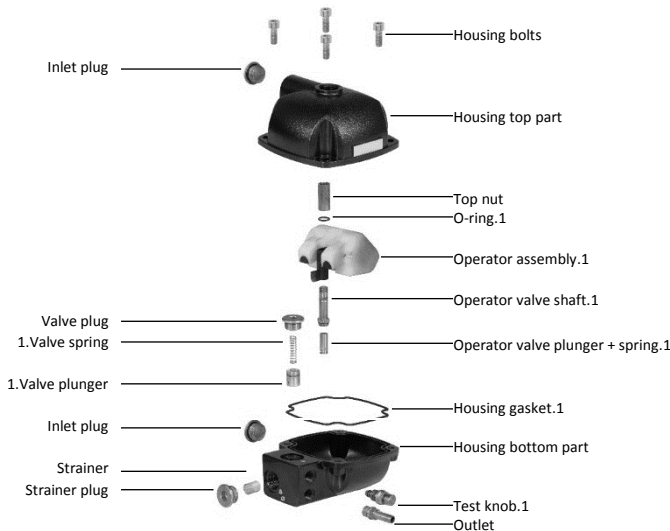
TECHNICAL SPECIFICATIONS

Maximum filter capacity	3500 CFM	
Maximum drainage capacity	281 gallons per hour at 230 psi (16 bar) 1064 litres per hour at 230 psi (16 bar)	
Pressure range	3 – 16 bar	44 – 230 psi
Medium temperature	1 – 50 °C	34 – 122 °F
Ambient temperature	1 – 50 °C	34 – 122 °F
Valve type	direct acting	
Valve orifice	6 mm	
Valve seals	FPM	
Inlet connection	1/2" (BSP or NPT), 3 inlet options	
Outlet connection	1/4" with hose connector	
Inlet height	4.7" (top), 3.8" and 0.6" (side)"	
Test feature	Yes	
Serviceable valve	Yes	
Integrated mesh strainer	Yes	
Housing material	Corrosion resistant aluminium, EP coating	
Environmental protection	IP68 (NEMA6)	

DIMENSIONS (inches)



EXPLODED VIEW



REPLACEMENT PARTS

Description	Part No.
1. Service kit	38000

MAINTENANCE INSTRUCTIONS

These instructions are for cleaning the drain. If your drain requires servicing, i.e. replacement of wearing components, please refer to our dedicated service instructions (supplied with the service kit).



Depressurise the system before installation or maintenance is carried out!

- 2.1 Stop the condensate supply, i.e. close the ball valve which is installed in front of the drain.
- 2.2 Press and hold the TEST knob to empty the drain of any residual condensate and to depressurise the drain.
- 2.3 Remove the outlet hose.
- 2.4 Open the housing by unscrewing the four housing bolts using a 6mm Allen key and remove the housing bottom part.
- 2.5 Unscrew the operator valve top nut and carefully pull the operator assembly off the valve shaft.
- 2.6 Unscrew the operator valve from the housing bottom part using a 13mm wrench.
- 2.7 Unscrew the strainer plug using a 10mm Allen key and remove the strainer.
- 2.8 Unscrew the valve plug using a 10mm Allen key and remove the valve plunger and spring. You can easily remove these parts by pushing them up with a screwdriver (**careful**) through the strainer hole.
- 2.9 Clean the housing bottom part, strainer and valve parts.
- 2.10 Replace the strainer and valve in the housing bottom part and tighten the plugs using a 10mm Allen key (max. torque 7Nm.)
- 2.11 Replace the operator valve and tighten it using a 13mm wrench (max. torque 7Nm.)
- 2.12 Replace the operator assembly, place the O-ring and tighten the top nut (max. torque 0,5Nm.)
- 2.13 Replace the housing top part and tighten the 4 bolts using a 6mm Allen key (max. torque 10Nm).
- 2.14 Replace the outlet hose and slowly open the ball valve to restore normal system pressure.
- 2.15 Press and hold the TEST knob to check the pneumatic valve function.
- 2.16 Your drain is ready for operation!

** Check the drain periodically by pressing the TEST knob. A purging sound must be heard.*

