

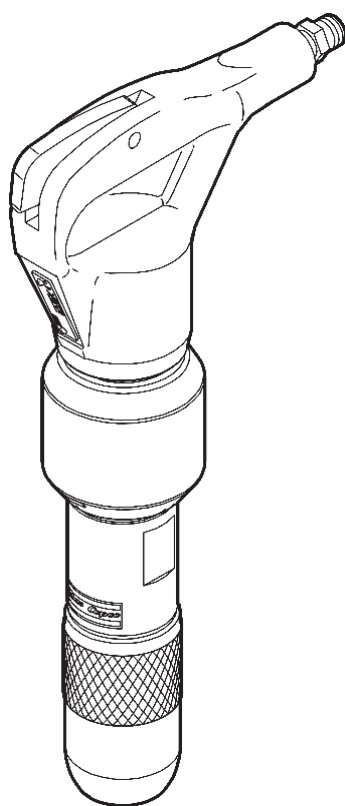
TEX 05P, 05P H/R, 05P R



Spare Parts List

Handheld Pneumatic Chipping Hammers

TEX 05P, 05P H/R, 05P R



General information

This spare parts list applies to the following:

Part number	Description
8461021900	TEX 05 P H19 X 50
8461021901	TEX 05 P H14.7-R17.3 X 60
8461021903	TEX 05 P R17.3 X 60
8461021908	TEX 05 P H19 X 50 LOXAM
8461021910	TEX 05 PE H19 X 50

Use only authorized parts. Any damage or malfunction caused by the use of unauthorized parts is not covered by Warranty or Product Liability. Any unauthorized use or copying of the contents or any part thereof is prohibited. This applies in particular to trademarks, model denominations, part numbers, and drawings.

Instructions for use

This spare parts list contains no safety regulations and is merely intended to assist in the ordering of spare parts.

For information about operating, servicing, or repairing, the relevant Safety and operating instructions must be consulted at all costs.

Please observe the safety instructions listed in the relevant Safety and operating instructions!

Spare parts list

TEX 05P Hex 19x50 1
TEX 05P H/R Hex 14.7 - Rd. 17.3x60 4
TEX 05P R Rd. 17.3x60 8

Accessories

Optional equipment 12
Breaker and hammer AIR-OIL 15

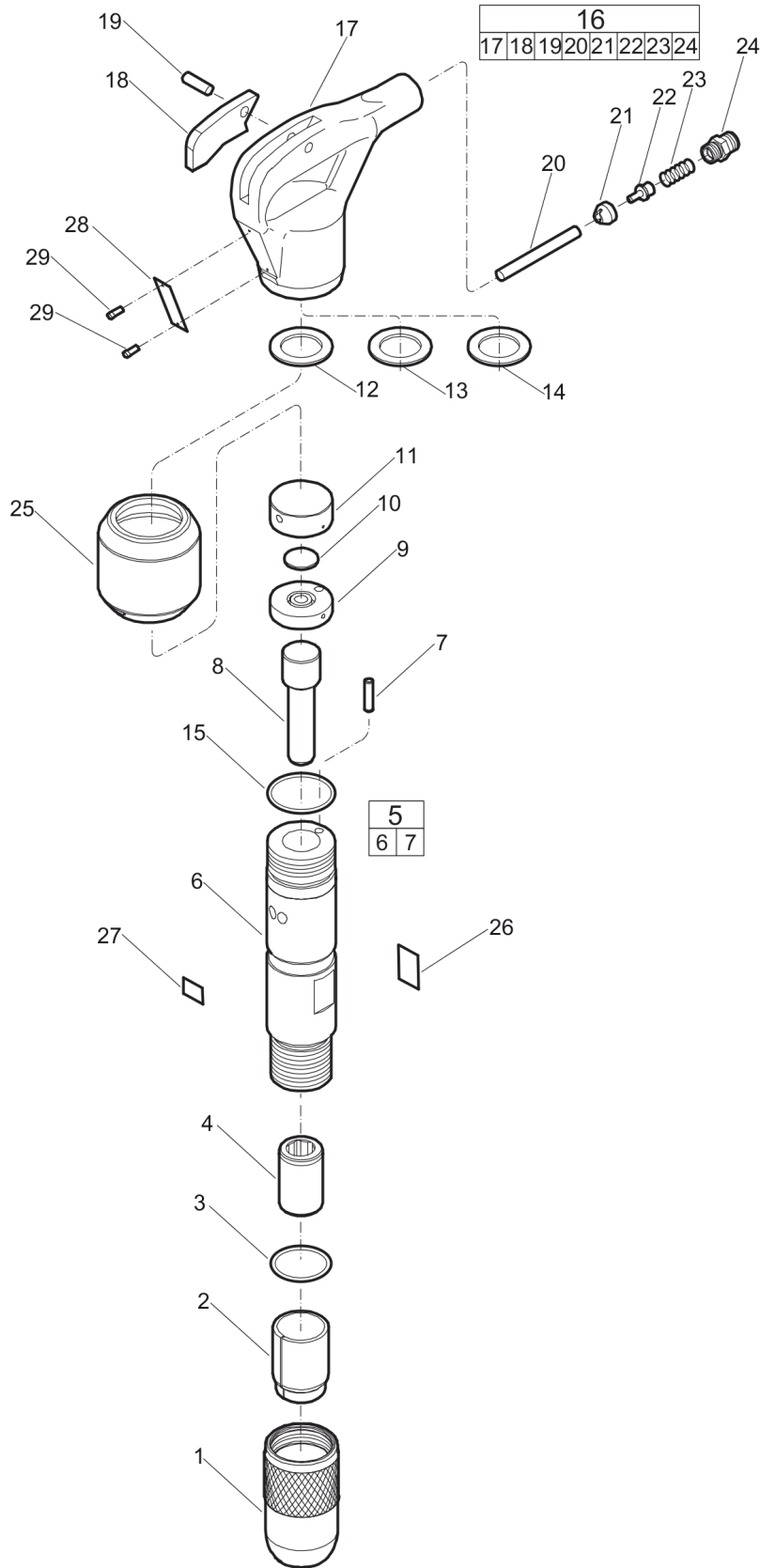
Kits

Complete kit 17
Repair kit 19

Working tools

Hex 19x50 mm 21
Hex 14.7 - Rd. 17.3x60 mm 23
Rd. 17.3x60 mm 25

Spare parts list TEX 05P Hex 19x50



Refer to the Parts Online web page for most up-to-date information. The printed information might be outdated.

Item	Part No.	Name	Qty	L
1	3310118200	Cap	1	
2	3310093600	Buffer	1	
3	-	O-ring, ø39.2x3 mm, Included in Repair kit 3310 1208 90	1	
4	3310118300	Chuck, Hex 19x50 mm	1	
5	3310117790	Cylinder kit	1	
6	3310117700	Cylinder	1	
7	--	Pipe	1	A
8	3310117800	Piston	1	
9	3310117900	Cover	1	
10	3310118100	Main valve	1	
11	3310118000	Valve housing	1	
12	3310118902	Washer, 0.7 mm	1	
13	3310118904	Washer, 1.0 mm	1	
14	3310118906	Washer, 1.3 mm	1	
15	-	O-ring, ø44.2x3 mm, Included in Repair kit 3310 1208 90	1	
16	3310117680	Backhead complete	1	
17	--	Backhead	1	
18	3310112900	Trigger	1	
19	0108135500	Spring pin, Ø8 x 24 mm, 0.31 x 0.94 in.	1	
20	-	Parallel pin, ø8x80 mm	1	
21	--	Inlet valve	1	B
22	-	Inlet valve rod	1	
23	--	Spring	1	C
24	3310118500	Nipple	1	
25	3310120400	Exhaust deflector	1	
26	-	Instruction label	1	D
27	-	Instruction label	1	E
28	-	Data plate (Not available separately)	1	F
29	0244414400	Drive screw	2	

Comments for Page: TEX 05P Hex 19x50

(L)OCAL REMARKS

A | Included in Repair kit 3310 1208 90

B | Included in Repair kit 3310 1208 90

Refer to the Parts Online web page for most up-to-date information. The printed information might be outdated.

C | Included in Repair kit 3310 1208 90

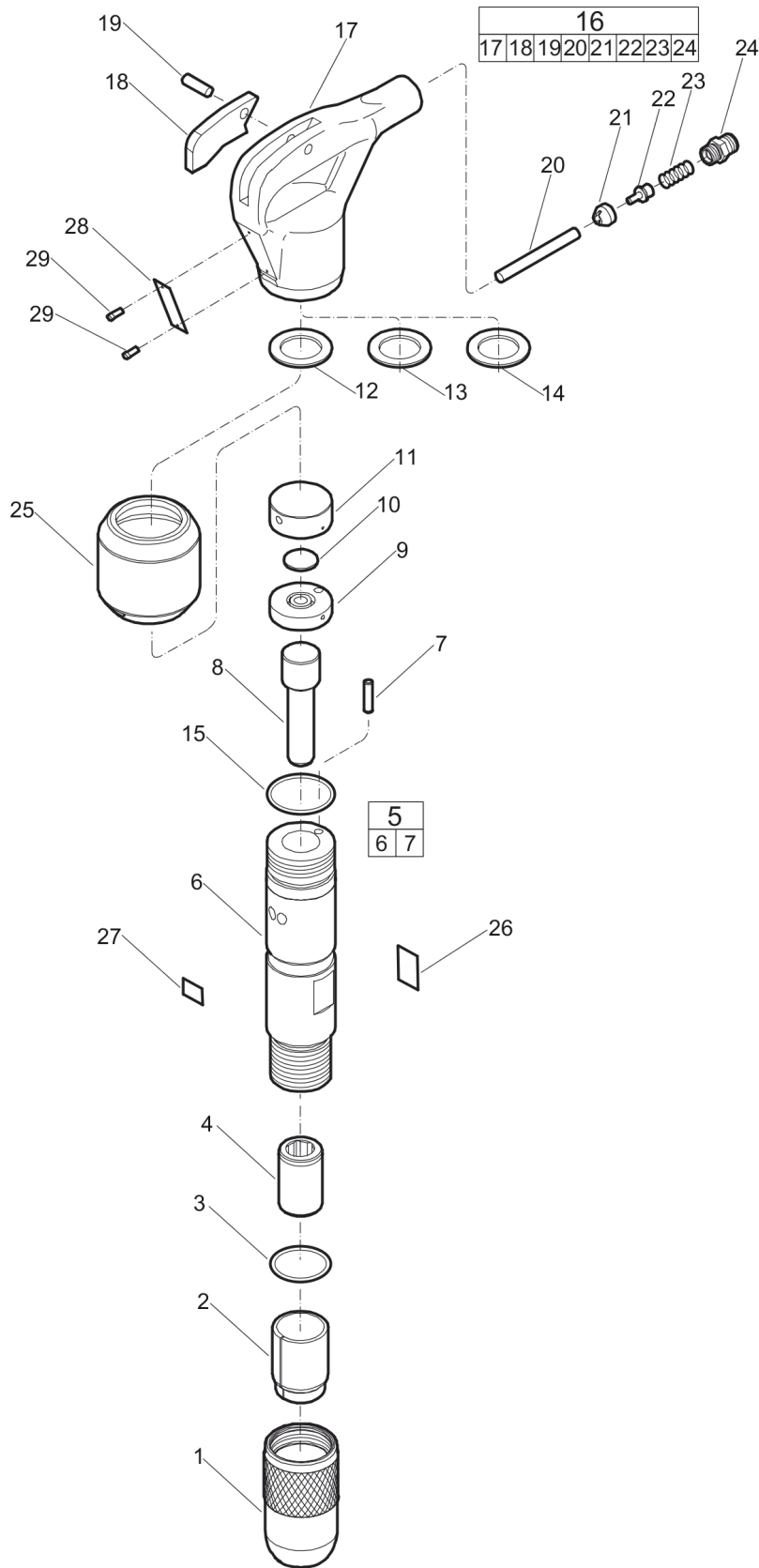
D | Sound power

E | Atlas Copco

F | TEX 05P

This page intentionally left blank

Spare parts list TEX 05P H/R Hex 14.7 - Rd. 17.3x60



Refer to the Parts Online web page for most up-to-date information. The printed information might be outdated.

Item	Part No.	Name	Qty	L
1	3310118200	Cap	1	
2	3310093600	Buffer	1	
3	-	O-ring, ø39.2x3 mm, Included in Repair kit 3310 1208 90	1	
4	3310118400	Chuck, Hex 14.7 - Rd. 17.3x60 mm	1	
5	3310117790	Cylinder kit	1	
6	3310117700	Cylinder	1	
7	--	Pipe	1	A
8	3310117800	Piston	1	
9	3310117900	Cover	1	
10	3310118100	Main valve	1	
11	3310118000	Valve housing	1	
12	3310118902	Washer, 0.7 mm	1	
13	3310118904	Washer, 1.0 mm	1	
14	3310118906	Washer, 1.3 mm	1	
15	-	O-ring, ø44.2x3 mm, Included in Repair kit 3310 1208 90	1	
16	3310117680	Backhead complete	1	
17	--	Backhead	1	
18	3310112900	Trigger	1	
19	0108135500	Spring pin, Ø8 x 24 mm, 0.31 x 0.94 in.	1	
20	-	Parallel pin, ø8x80 mm	1	
21	--	Inlet valve	1	B
22	-	Inlet valve rod	1	
23	--	Spring	1	C
24	3310118500	Nipple	1	
25	3310120400	Exhaust deflector	1	
26	-	Instruction label	1	D
27	-	Instruction label	1	E
28	-	Data plate (Not available separately)	1	F
29	0244414400	Drive screw	2	

Comments for Page: TEX 05P H/R Hex 14.7 - Rd. 17.3x60

(L)OCAL REMARKS

A | Included in Repair kit 3310 1208 90

B | Included in Repair kit 3310 1208 90

Refer to the Parts Online web page for most up-to-date information. The printed information might be outdated.

C | Included in Repair kit 3310 1208 90

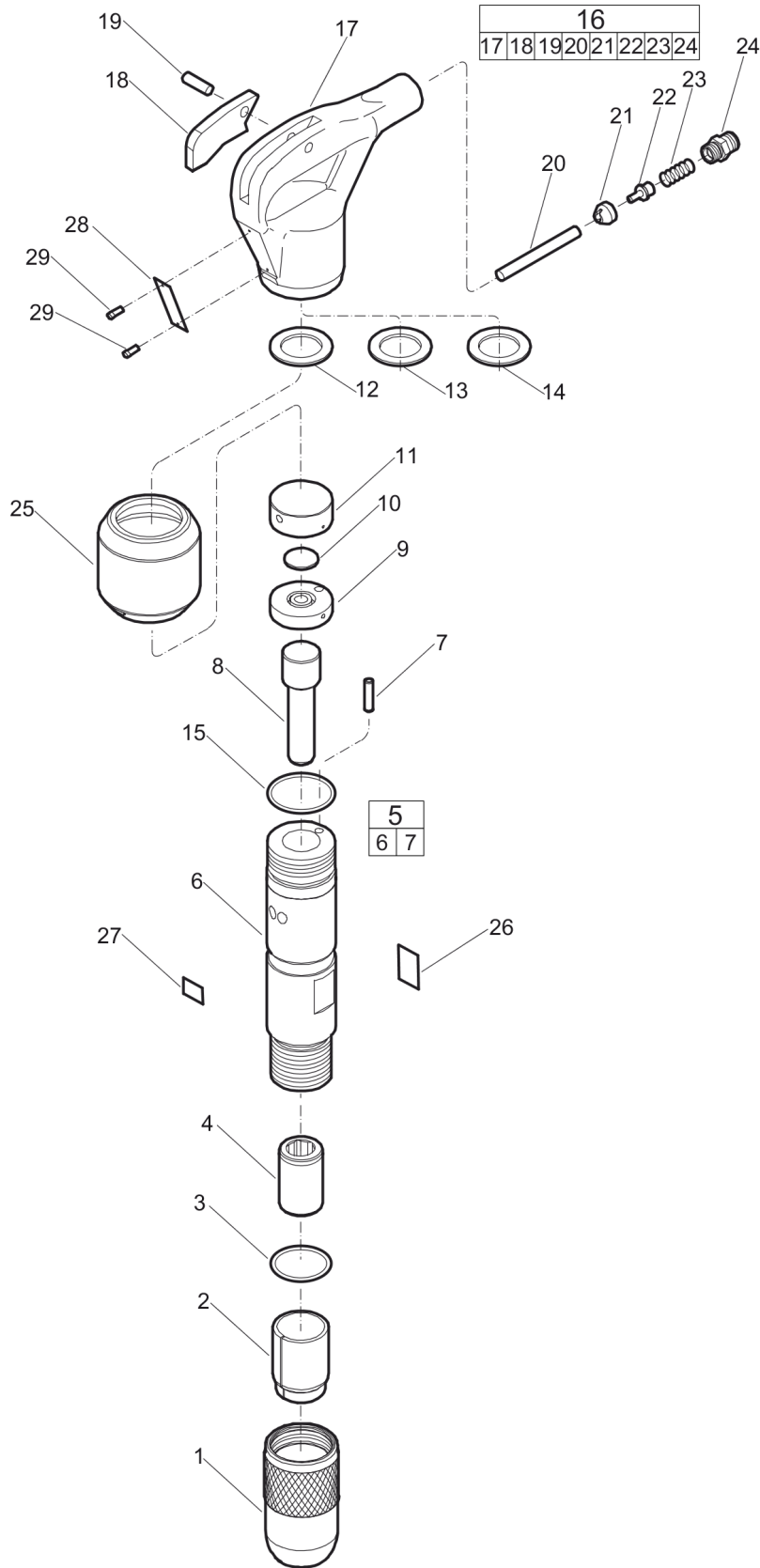
D | Sound power

E | Atlas Copco

F | TEX 05P

This page intentionally left blank

Spare parts list TEX 05P R Rd. 17.3x60



Refer to the Parts Online web page for most up-to-date information. The printed information might be outdated.

Item	Part No.	Name	Qty	L
1	3310118200	Cap	1	
2	3310093600	Buffer	1	
3	-	O-ring, ø39.2x3 mm,Included in Repair kit 3310 1208 90	1	
4	3310122500	Chuck, Rd. 17.3x60 mm	1	
5	3310117790	Cylinder kit	1	
6	3310117700	Cylinder	1	
7	--	Pipe	1	A
8	3310117800	Piston	1	
9	3310117900	Cover	1	
10	3310118100	Main valve	1	
11	3310118000	Valve housing	1	
12	3310118902	Washer, 0.7 mm	1	
13	3310118904	Washer, 1.0 mm	1	
14	3310118906	Washer, 1.3 mm	1	
15	-	O-ring, ø44.2x3 mm, Included in Repair kit 3310 1208 90	1	
16	3310117680	Backhead complete	1	
17	--	Backhead	1	
18	3310112900	Trigger	1	
19	0108135500	Spring pin, Ø8 x 24 mm, 0.31 x 0.94 in.	1	
20	-	Parallel pin, ø8x80 mm	1	
21	--	Inlet valve	1	B
22	-	Inlet valve rod	1	
23	--	Spring	1	C
24	3310118500	Nipple	1	
25	3310120400	Exhaust deflector	1	
26	-	Instruction label	1	D
27	-	Instruction label	1	E
28	-	Data plate (Not available separately)	1	F
29	0244414400	Drive screw	2	

Comments for Page: TEX 05P R Rd. 17.3x60

(L)OCAL REMARKS

A | Included in Repair kit 3310 1208 90

B | Included in Repair kit 3310 1208 90

Refer to the Parts Online web page for most up-to-date information. The printed information might be outdated.

C | Included in Repair kit 3310 1208 90

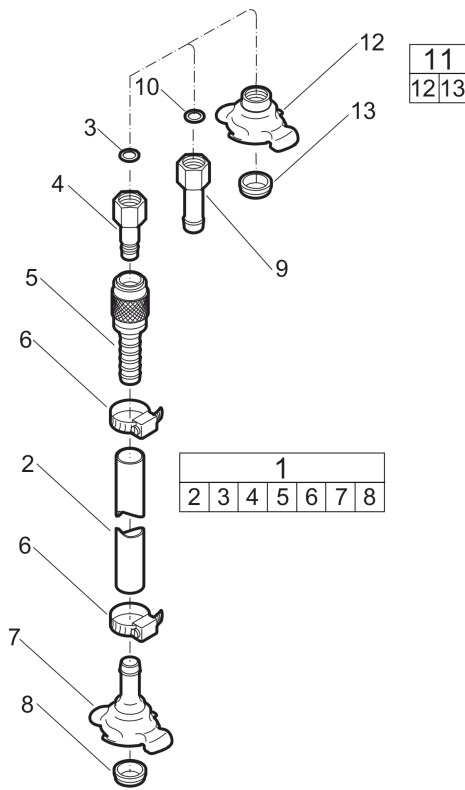
D | Sound power

E | Atlas Copco

F | TEX 05P

This page intentionally left blank

Accessories Optional equipment



Item	Part No.	Name	Qty	L
1	9030204300	Short length hose, complete, ø12.5x3000 mm	1	
2	--	Hose	1	
3	0661103300	Seal washer	1	
4	8202125210	Nipple	1	
5	8202130418	Female coupling QIC15 H13	1	
6	0347610500	Hose clamp	2	
7	9000031000	Claw coupling, ø12.5 mm, ø0.50 in.	1	
8	9000000000	Packing	1	
9	3310093700	Hose nipple	1	
10	0661103300	Seal washer	1	
11	9000030500	Claw coupling, complete	1	A
12	--	Claw coupling	1	
13	9000000000	Packing	1	

Comments for Page: Optional equipment

(L)OCAL REMARKS

A | G ½A

Accessories Breaker and hammer AIR-OIL

NO EXPLODED VIEW
AVAILABLE
FOR THIS BOM

Item	Part No.	Name	Qty	L
1	8099020240	Breaker and hammer AIR-OIL,0.25 l, 0.06 US gallon	1	
2	8099020236	Lubricating oil	1	
3	8099020281	Breaker and hammer AIR-OIL (pack), 1 l , 0.26 US gallon	20	
4	8099020202	Breaker and hammer AIR-OIL, 5 l, 1.32 US gallon	1	
5	8099020285	Breaker and hammer AIR-OIL (pack), 5 l, 1.32 US gallon	4	

Kits Complete kit

NO EXPLODED VIEW
AVAILABLE
FOR THIS BOM

Item	Part No.	Name	Qty	L
1	8461021902	Complete kit	1	
-	8461021900	Chipping hammer	1	
-	9030204300	Short length hose, complete, ø12.5x3000 mm	1	
-	3083322000	Moil point	1	
-	3083322200	Narrow chisel	1	
-	8099020240	Breaker and hammer AIR-OIL,0.25 l, 0.06 US gallon	1	A
-	3310120600	Storage box	1	

Comments for Page: Complete kit

(L)OCAL REMARKS

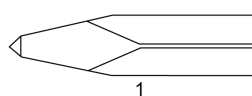
A | 0.2 l

Kits Repair kit

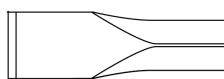
NO EXPLODED VIEW
AVAILABLE
FOR THIS BOM

Item	Part No.	Name	Qty	L
1	3310120890	Repair kit	1	
Not Shown	-	Spring	1	
Not Shown	-	Inlet valve	1	
Not Shown	-	O-ring, ø39.2x3 mm	1	
Not Shown	-	Valve rod	1	
Not Shown	-	O-ring, ø44.2x3 mm	1	

Working tools Hex 19x50 mm



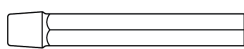
1



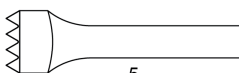
2



3



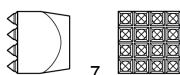
4



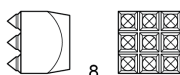
5



6



7



8



Item	Part No.	Name	Qty	L
1	3083322000	Moil point	1	A
1	3083322100	Moil point	1	B
2	3083322200	Narrow chisel	1	C
2	3083322300	Narrow chisel	1	D
3	3083322400	Wide chisel	1	E
4	3083322500	Shaft for bush hammer	1	F
6	3083322600	Bush hammer, TC head	1	G
7	3083322700	Bush hammer, TC head	1	H
8	3083416300	Bush hammer, steel head	1	I

Comments for Page: Hex 19x50 mm

(L)OCAL REMARKS

A | W= - mm, L=240 mm

B | W= - mm, L=440 mm

C | W= - mm, L=240 mm

D | W= - mm, L=440 mm

E | W= 60 mm, L=190 mm

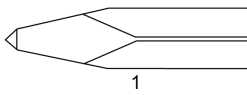
F | W= - mm, L=80 mm

G | W=40 mm, L= - mm

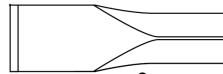
H | W=40 mm, L= - mm

I | W=32 mm, L= - mm

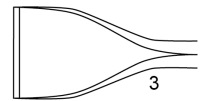
Working tools Hex 14.7 - Rd. 17.3x60 mm



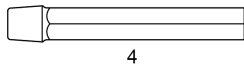
1



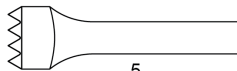
2



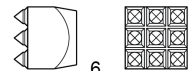
3



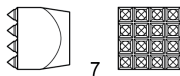
4



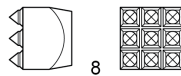
5



6



7



8



Item	Part No.	Name	Qty	L
1	3083320000	Moil point	1	A
2	3083413110	Narrow chisel	1	C
3	3083341000	Wide chisel	1	E

Comments for Page: Hex 14.7 - Rd. 17.3x60 mm

(L)OCAL REMARKS

A | W= - L=230 mm

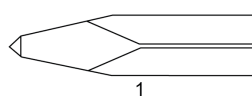
B | W= - L=350 mm

C | W= - L=230 mm

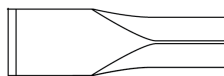
D | W= - L=350 mm

E | W= 60 mm L=175 mm

Working tools Rd. 17.3x60 mm



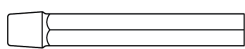
1



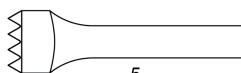
2



3



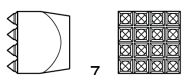
4



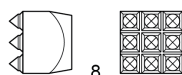
5



6



7



8



Item	Part No.	Name	Qty	L
1	3083411000	Moil point	1	A
1	3083411010	Moil point	1	B
1	3083411020	Moil point	1	C
2	3083411100	Narrow chisel	1	D
2	3083411110	Narrow chisel	1	E
2	3083411120	Narrow chisel	1	F
5	3083411400	Bushing tool	1	G

Comments for Page: Rd. 17.3x60 mm

(L)OCAL REMARKS

A | W= - L=160 mm

B | W= - L=225 mm

C | W= - L=380 mm

D | W= - L=160 mm

E | W= - mm L=235 mm

F | W= - L=380 mm

G | W=50 mm L= 170 mm

Any unauthorized use or copying of the contents or any part thereof is prohibited.
This applies in particular to trademarks, model denominations, part numbers, and drawings.

