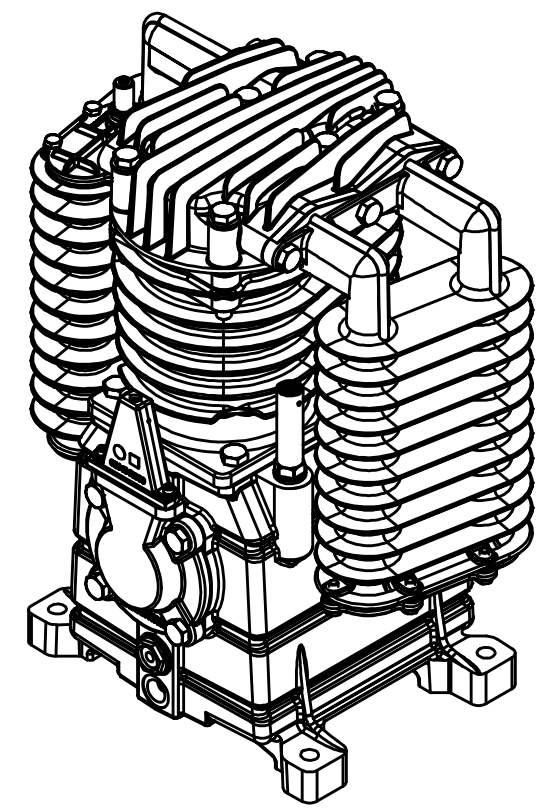
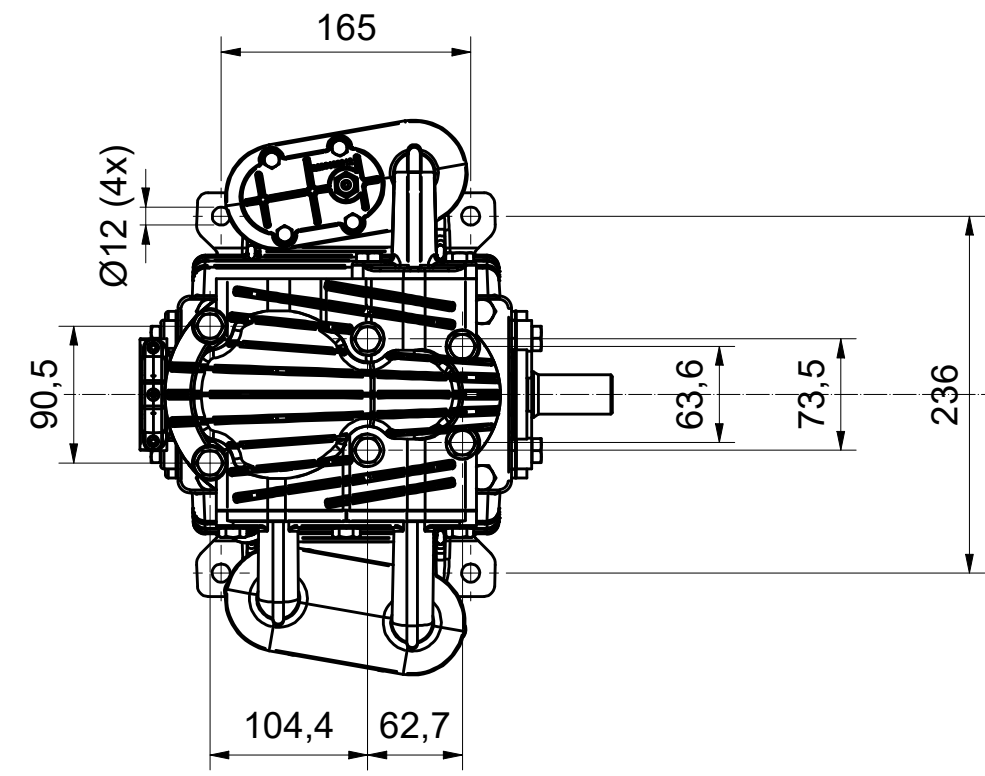
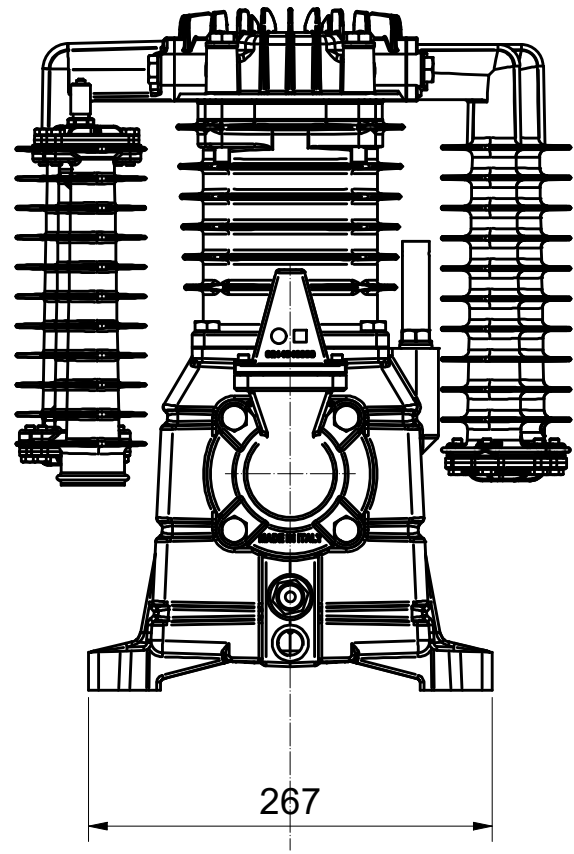
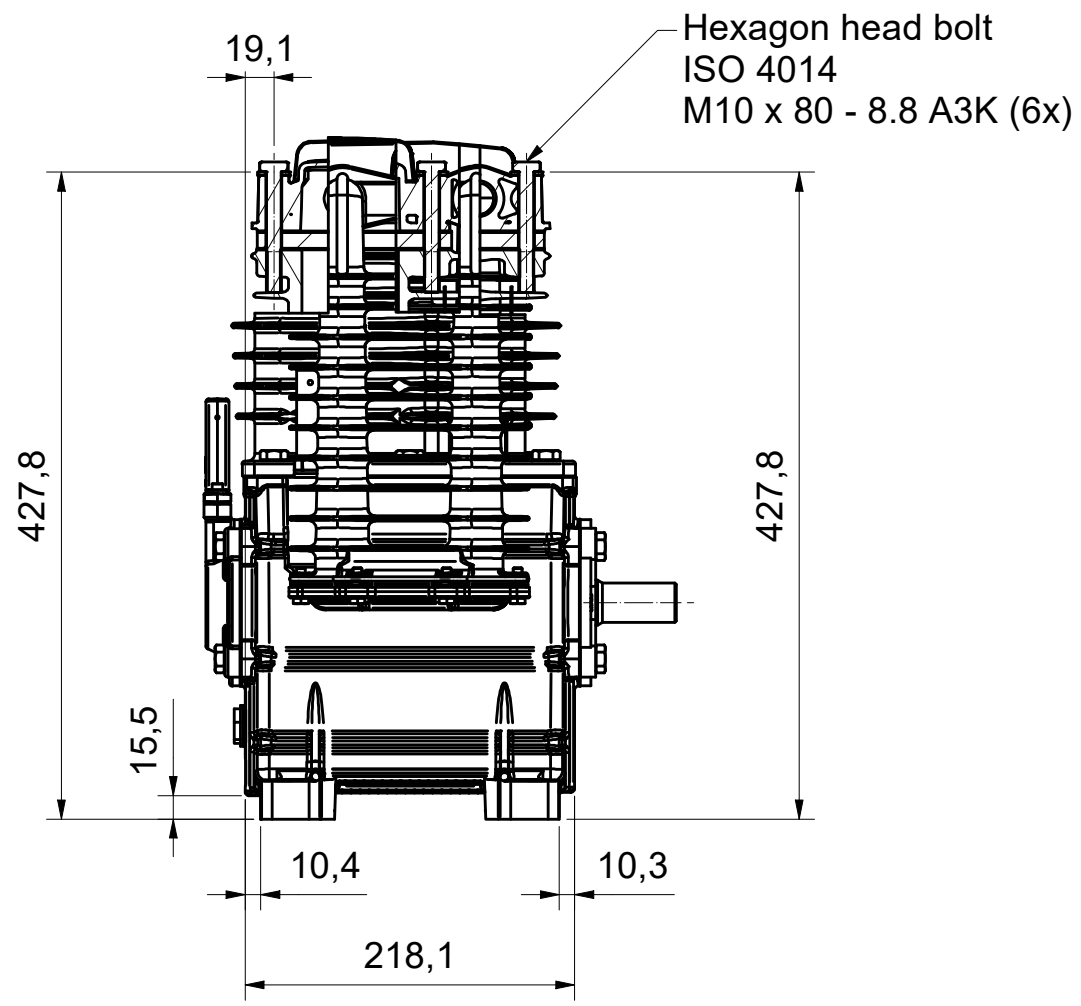


All materials supplied are in compliance with the requirements of the List of Prohibited Substances



Tolerances, if not indicated, according to:									
Name GR.COMPR.BASE NS39								Confidentiality Class acc. to 1102 K	
Material See Drawing								CONFIDENTIAL	
Treatment								INV	
Scale 1 : 5		Family			Compare		Drawing Owner	Transferred from	
Drawn by INEgap		Blank nr.			Replaces		ITR		
Drawing format A3		Blank wt		Kg	Fini wt.	N/A	Designation		Sheet 1 / 1
STATUS Preliminary		Des checked.	Prod checked.	Approved.	Date 2021-01-29	4116091002			

CONFIDENTIAL:
This document is property of Atlas Copco AB and shall not without our permission be altered, copied, used for manufacturing or communicated to any other person or company.

-			01-29-2021	itkextcj	4116091002	
Ed	Position	Modified from	Date	Intr./Appd.	Parent 3D model	Ed . Version 3D