

HiLight V7+ US

Light Tower

Voltage: 120 V

Frequency: 60 Hz



General Description

The Atlas Copco **HiLight V7+** is a innovative light tower featuring state-of-the-art Surface Mount Device (SMD) LED lighting technology to provide excellent performance and efficiency. Operators at construction sites, events, mines, emergency applications and rental companies will be able to reduce their carbon footprint and operating costs, with 20% more Light coverage than COB LED type. By combining the use of a low-consumption diesel engine, the **HiLight V7+** light tower helps reduce both carbon footprint and operating costs, while maximizing energy efficiency.

Technical Information

Reference Conditions

Absolute Inlet Pressure	bar	1
Relative Humidity	%	30
Air Inlet Temperature	°F	77°

Performance Data

Light Coverage (20 lux avg)	ft ²	79,222
Light Coverage (min 1 lux - 75°)	ft ²	130,264
Rated Frequency	Hz	60
Rated Voltage	Vac	120
Alternator Power Output	kW	2.4
Operating Temperature (min/max)*	°F	-13° / +122°
Altitude Capability	ft	11,483
Relative Air Humidity Maximum	%	85
Maximum Sound Power Level (LWA)**	db (A)	88
Sound Pressure Level (LpA) at 23 ft	db (A)	65
Fuel Tank Capacity	gal	29
Oil Service Interval	h	600
Mast Height	ft	24
Mast Type / Rotation		Manual / 340°
Wind Speed Stability***	mph	50
Fuel Consumption at all Floodlights ON	gal/h	0.20
Fuel Autonomy at all Floodlights ON	h	142

*Option "Cold weather" might be needed.

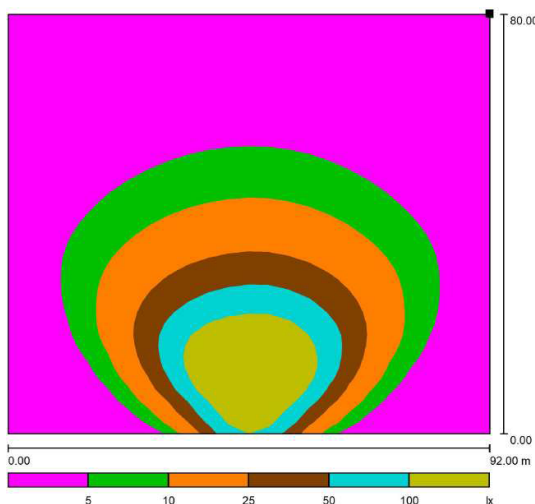
**Complies with 2000/14/EC

***Consult Atlas Copco for conditions reference.

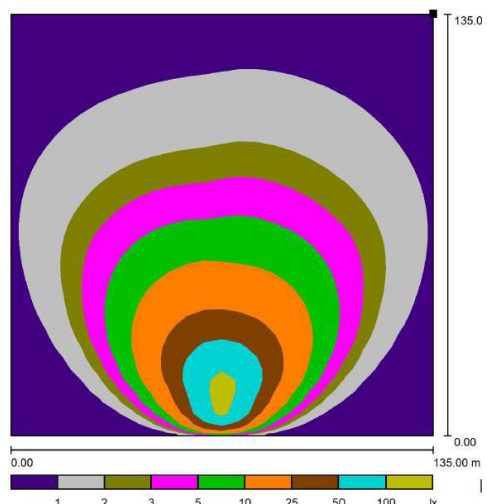
Canopy			
Canopy		HardHat®	
Type		Undercarriage	
Engine			
Brand and Model		Kubota Z482	
Speed	rpm	1,800	
Rated Net Output (PRP)	kW	3.4	
Coolant System		Coolant	
Aspiration / Combustion System		Natural / Direct Injection	
Number of Cylinders	Cylinder	2	
Speed Governor		Electronic	
Capacity of Oil Sump	l	2.5	
Capacity of Cooling System	l	2.8	
Electrical System	Vdc	12	
Emission Stage		Tier 4f	
Alternator			
Brand and Model		ACA132BL	
Rated Output	kVA	4	
Protection Degree		IP23	
Insulation Class		H	
Number of Wires	Wires	4	
Power Output			
Maximum Power Output	W	2,400	
Outlets		120 Vac, 20A, GFCI Duplex (NEMA 5-20R) 240 Vac, 30, TL (NEMA L6-30R)	
Main Breaker (Rated Current)	A	10	
Available Outlets Power (W)		120V GFCI	240V TL
	Lights OFF	1,200	2,400
	Lights ON	500	1,000

Lamps

Number of Lights	Unit	4
Technology		SMD LED
Floodlight Power	W	350
Total Lumen	lm	210,000



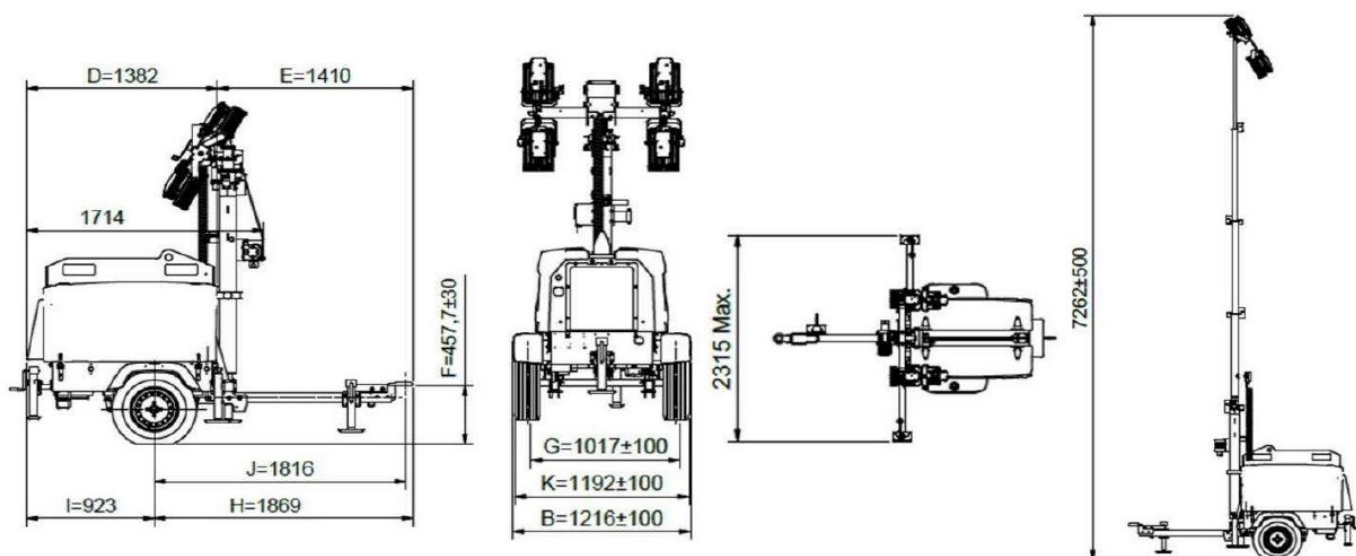
79,222 ft² avg 20 lux



130,264 ft² min 1 lux

Dimension and Weight

Length x Width x Height in Transport Mode	in	75 x 48 x 91
Length x Width x Height in Operation Mode	in	110 x 91 x 305
Weight (Dry / Wet)	lbs	1548 / 1755



Mechanical Options

Spark Arrestor

Towing Hitch Combo

Towing Hitch Ball Coupling 2 Inch

Towing Hitch Ring 2.5 Inch

Adjustable Towing Support

Electrical Options

Cubicle ELCB with Universal Socket 230V 50Hz | 240V 60Hz

Cubicle ELCB without Socket

Cubicle with Universal Socket 230V 50Hz | 240V 60Hz

Road Light System

E-Stop

Earth Pin

Battery Isolator

DC E-winch

Lc1003™