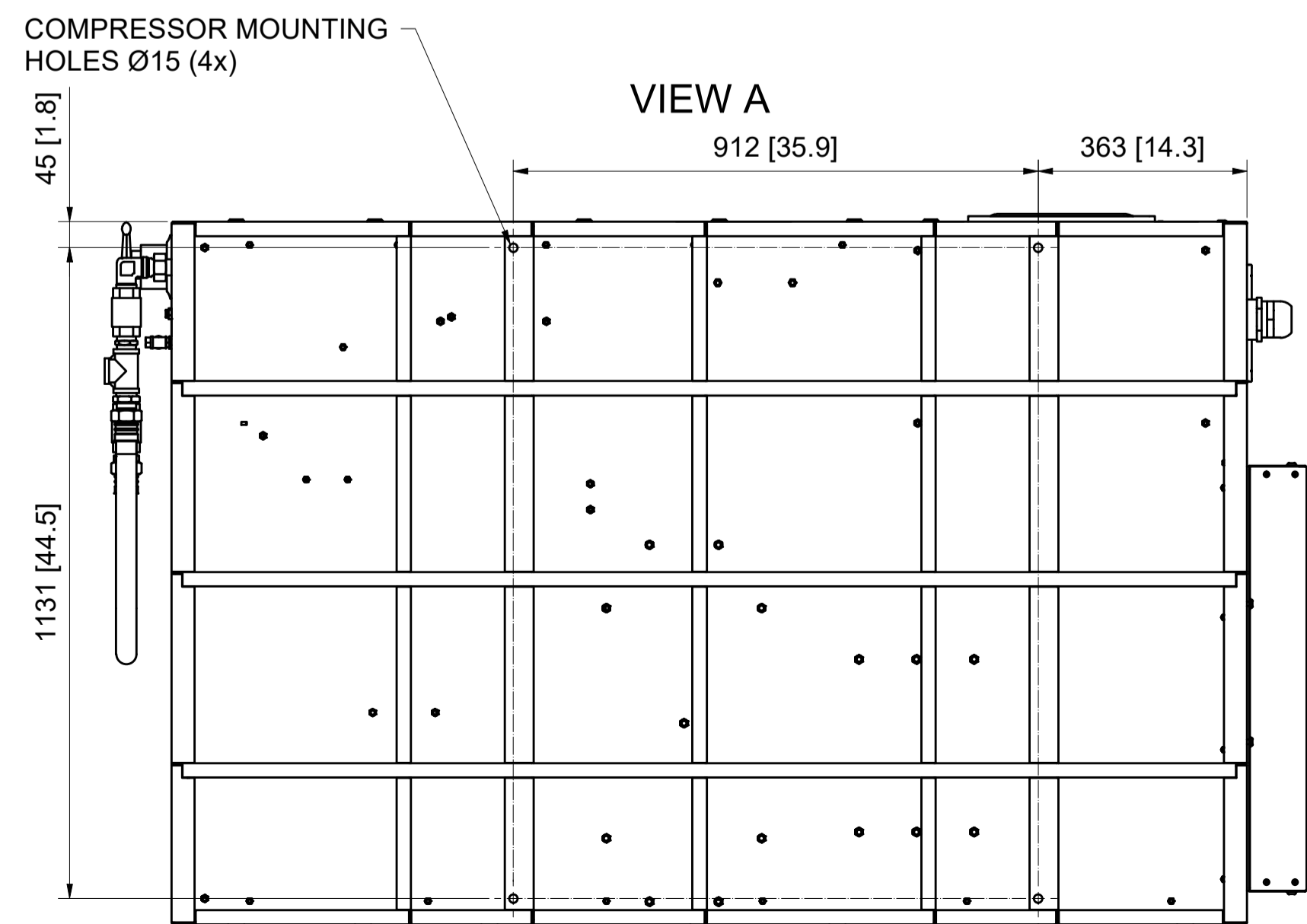
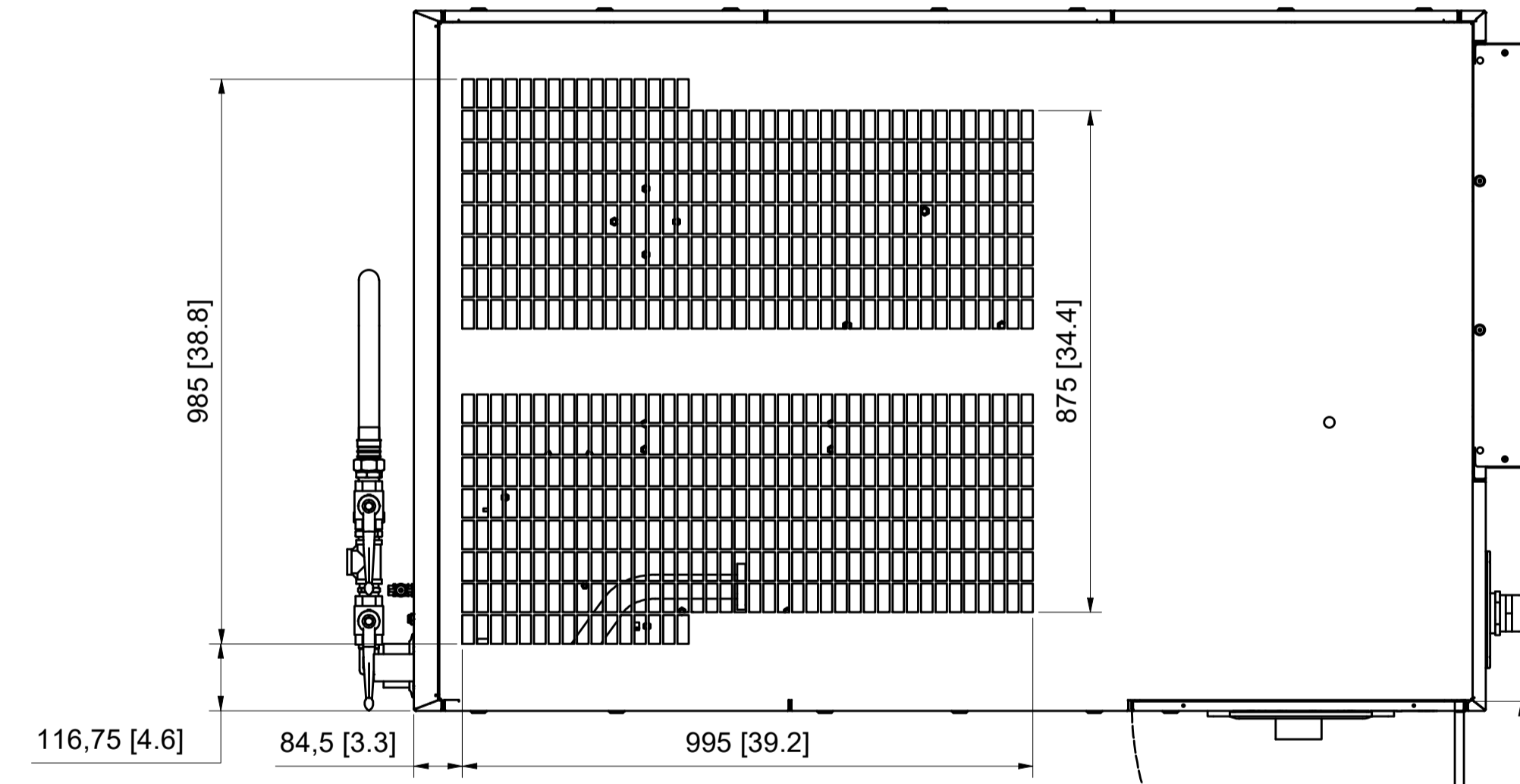
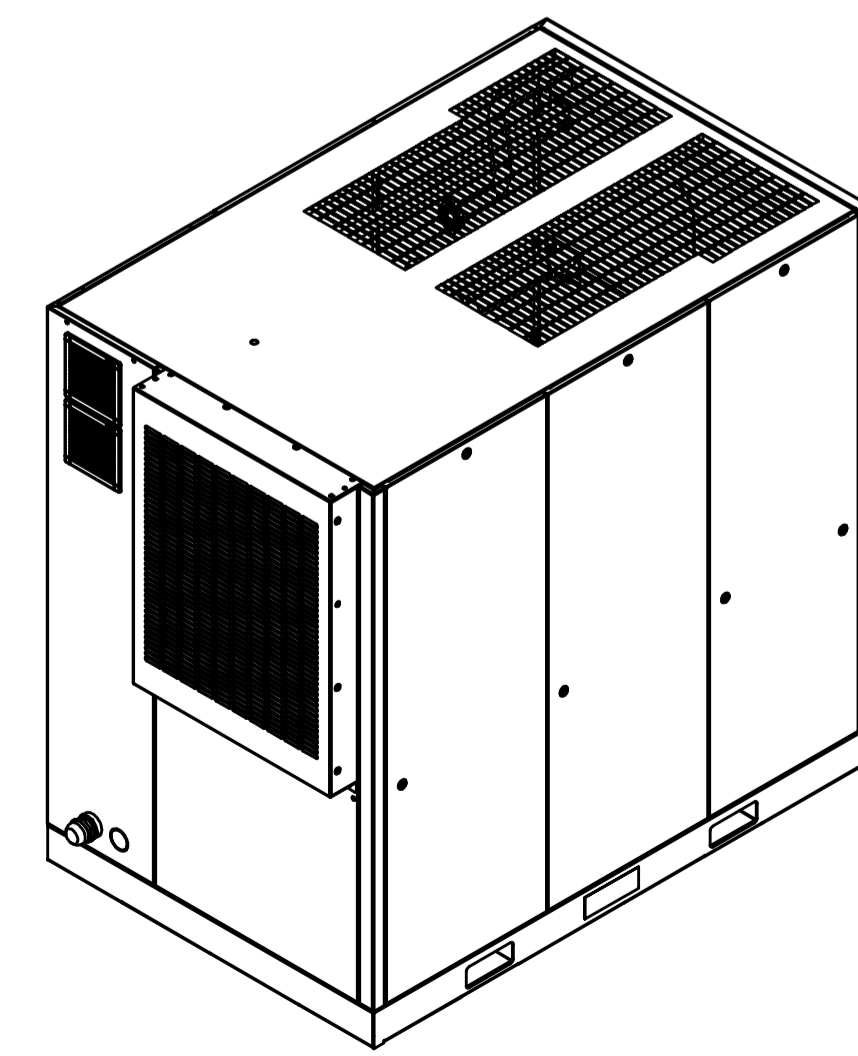
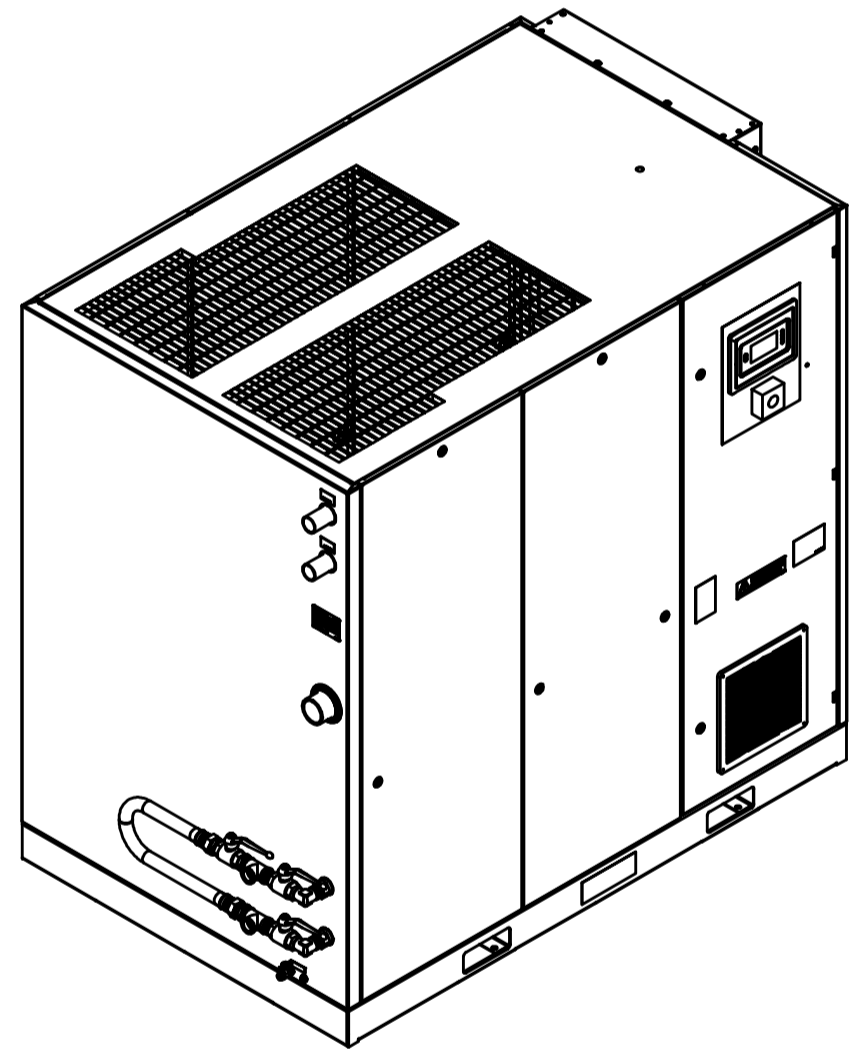
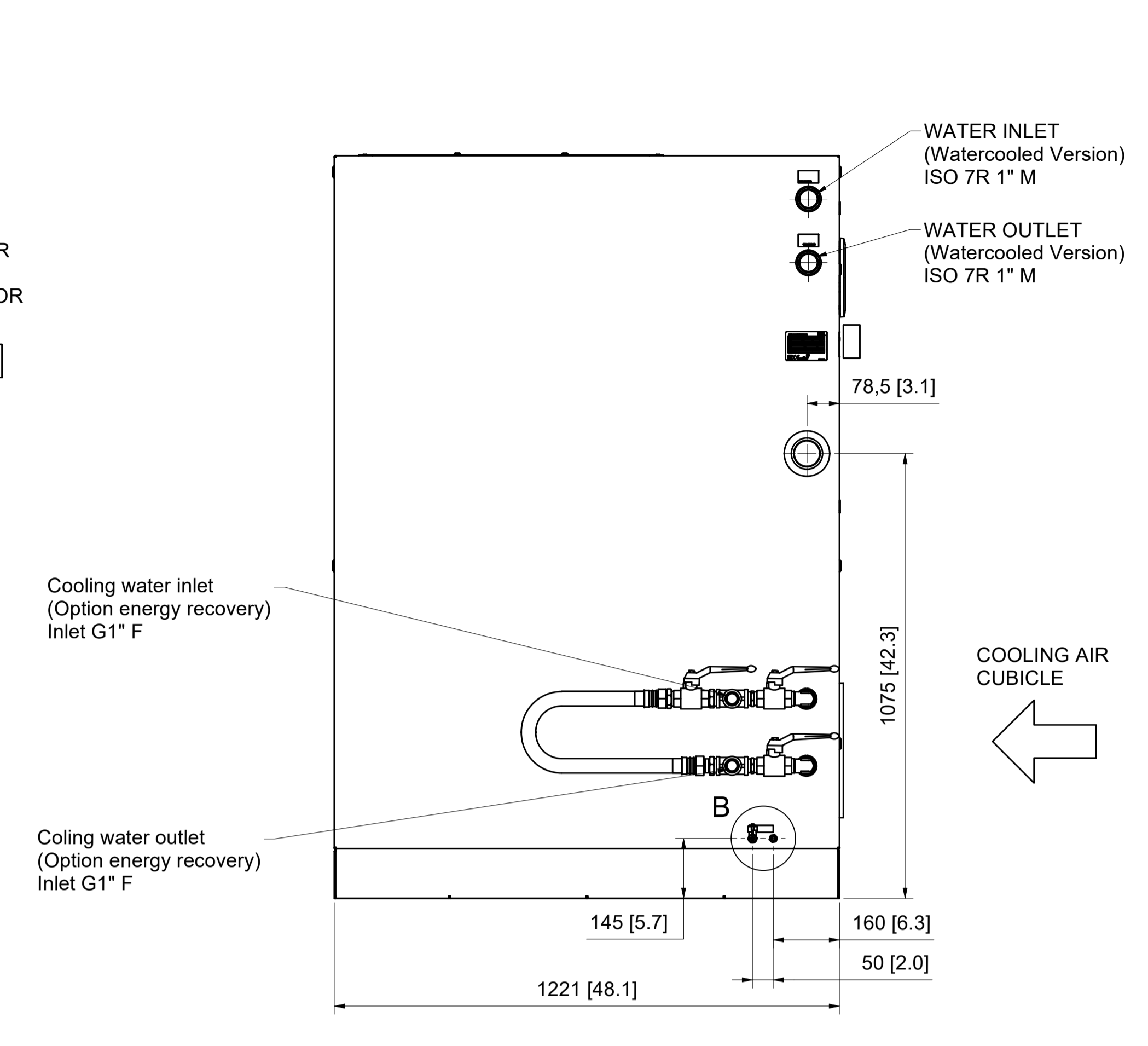
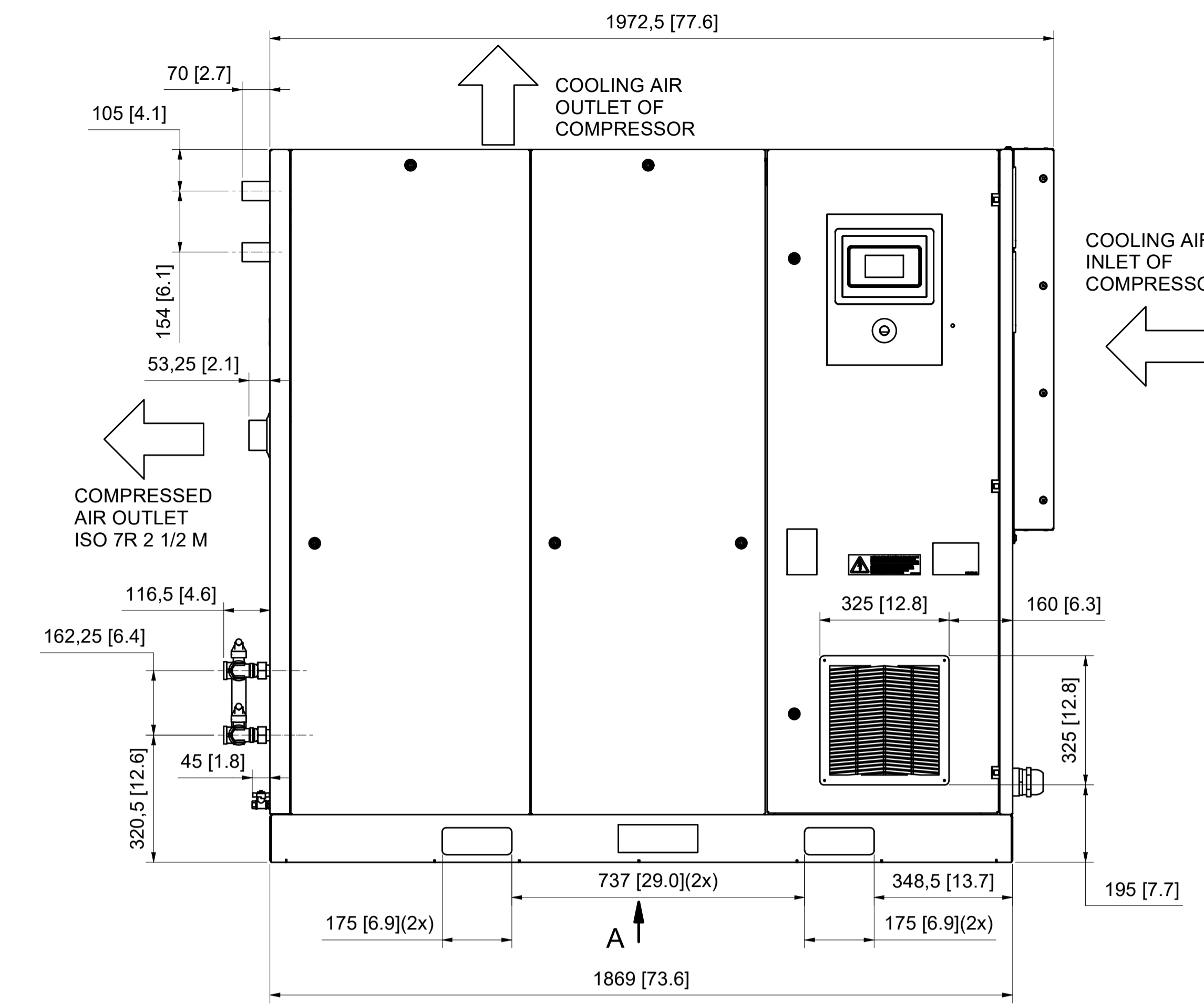
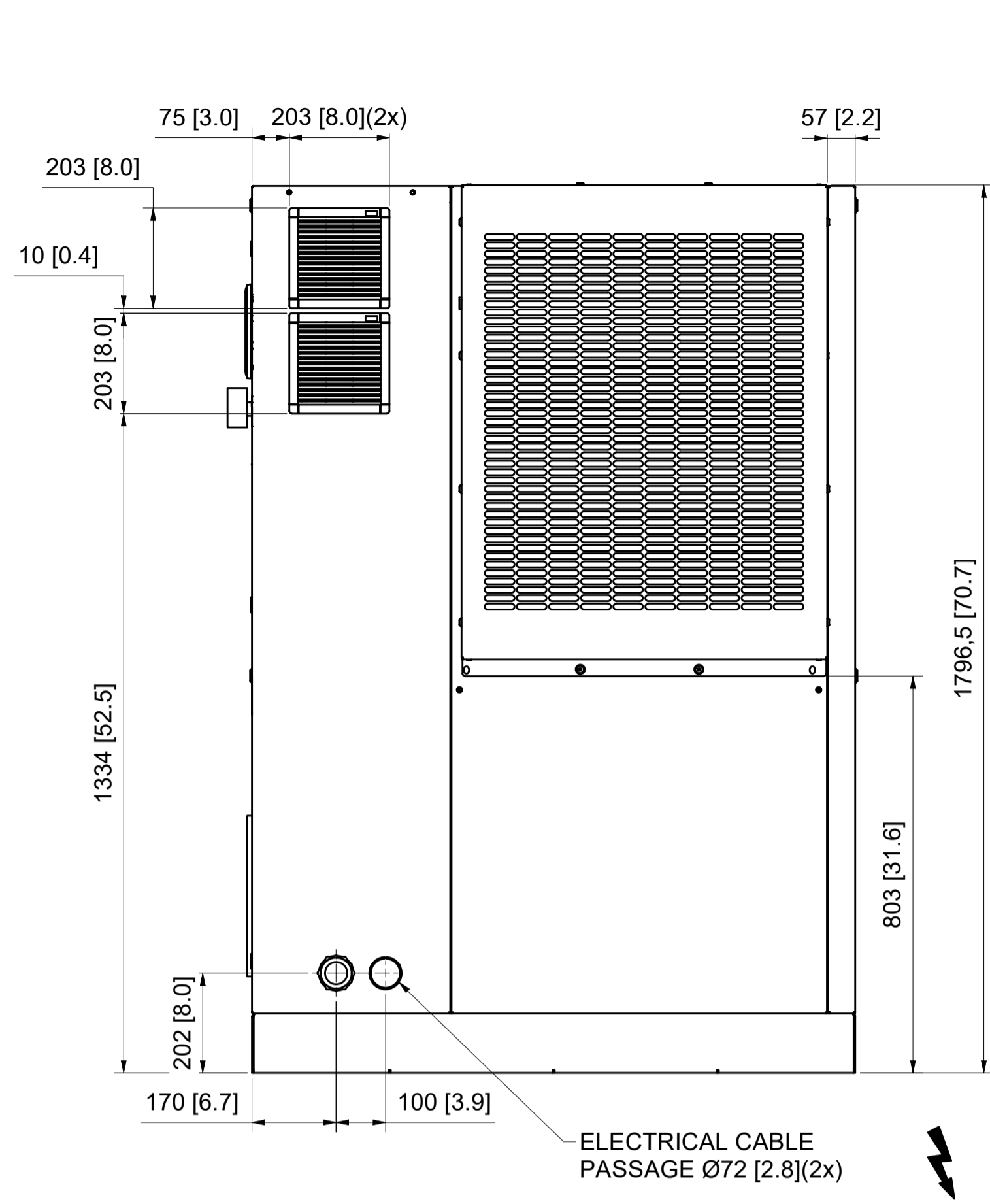
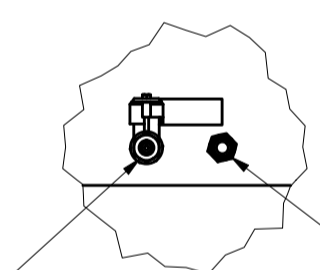


All materials specified are in compliance with the requirements of the List of Prohibited Substances



B (1:5)



MANUAL DRAIN OF AFTERCOOLER

MANUAL DRAIN OF AFTERCOOLER

Note:  
- Dimensions mentioned as mm [inches]

AIR COOLED UNIT PACK FS					
TYPE	DT module	CENTER OF GRAVITY			MASS
		WITH DRYER			WITHOUT DRYER
		W	L	H	
55 KW	FS C106	692	901	679	1123
75 KW	FS C106	699	894	691	1189
76 KW	FS C142	713	903	663	1284
90 KW	FS C142	718	899	667	1346
Dimension in mm: +/- 50 mm					MASS in Kg(Oil included): +/- 50 Kg

CONFIDENTIAL

Ed	Position	Modified from	Date	Intr./Appd.
			04-13-2023	AIR19389

\* DOOR FULLY OPEN

Parent 3D model	Ed - Version 3D	STATUS	Drawing format/Blank wt	Fini wt.	Designation	Sheet
		Preliminary	A1	417,015 kg	9828522547	1 / 1

Tolerances, if not indicated, according to:

General tolerances	1350K - mK
--------------------	------------

Name: DIMENS. DRAWING

Material: See Drawing

Treatment: See Drawing

Scale: 1:10

Family: Blank nr.

Compare: Replaces

Drawn by: Blank nr.

Drawing format/Blank wt: A1

Fini wt.: 417,015 kg

Date: 12/04/2023

Designation: 9828522547

Sheet: 1 / 1