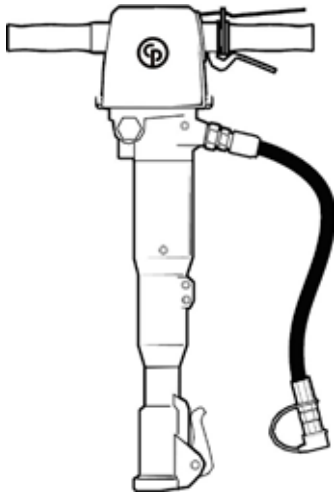




Spare parts list

Handheld Hydraulic Breakers

BRK 25 D
BRK 40, BRK 40 VR
BRK 55, BRK 55 VR
BRK 70, BRK 70 VR
BRK 95, BRK 95 VR





2008-12

No. 3392 5165 01 a

© Copyright Chicago Pneumatic Construction Tools
STOCKHOLM • SWEDEN



Introduction

Welcome! Protect your investment in the world's finest hydraulic tools. Use genuine CP replacement parts.

The purchase of replacement parts for your CP tools deserves the same good judgment that resulted in the purchase of the tools themselves. Each genuine CP part is made from carefully selected and inspected material, subjected to sophisticated machinery and finishing processes and heat-treated to produce just the right combination of hardness, ductility and impact resistance for its intended use. Each part is identical to, and made concurrently with, parts used in production tools.

The use of parts other than genuine CP replacement parts can lead to substandard performance, early failure, possible damage of other parts and, in some instances, unsafe conditions.

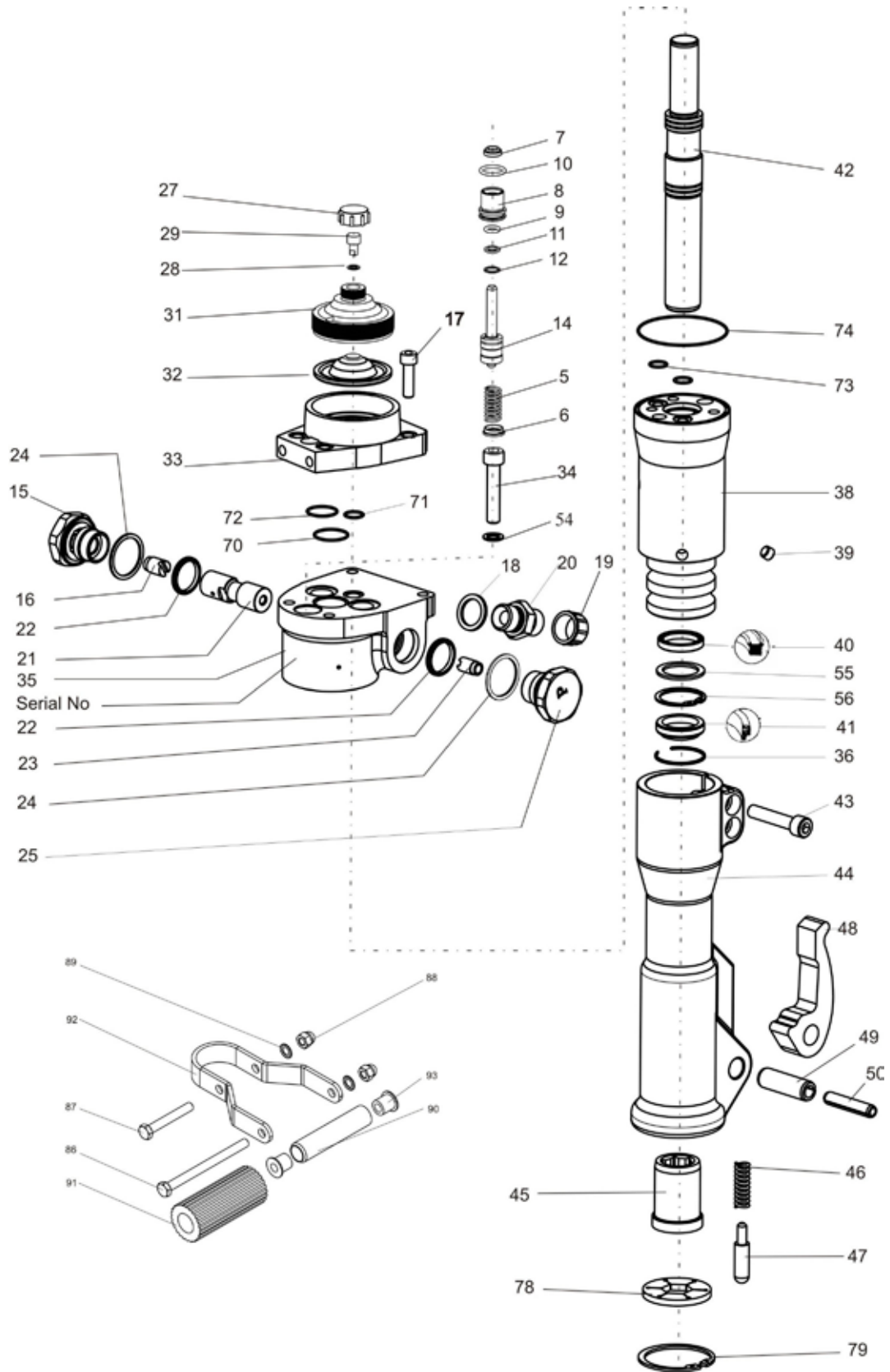
Use only authorized parts. Any damage or malfunction caused by unauthorized parts will not be covered by the Warranty or Product Liability.

Any machine modification not approved by Chicago Pneumatics may result in serious injuries to yourself or others.

To reduce the risk of injury, read and understand the relevant safety and operating instructions before operating the machine.

Before undertaking any maintenance or changing the working tool on hydraulic machines, always switch off the hydraulic oil supply and bleed the machine by activating the start and stop device. Then disconnect the hydraulic hose from the machine.

The CP BRK 25 D - 95 VR handheld hydraulic breakers are sturdy and reliable breakers designed for working together with CP hydraulic power packs or, by means of a CP oil flow divider, with most hydraulic excavators, backhoe loaders and tractors.



A



BRK 25 D

No.	Part Number	Quantity	Description	
	3371 8140 58		Trigger complete	Incl. fig. No. 5-14
5	3371 8141 63	1	- Spring	
6	3371 8147 52	1	- Washer	
7	3371 8055 03	1	- Seal	
8	3371 8141 20	1	- Packing gland	
9	3371 8147 00	1	- O-ring	
10	3371 8147 02	1	- O-ring	
11	3371 8147 01	1	- Back-up ring	
12	3371 8147 12	1	- Circlip	
14	3371 8200 71	1	- Trigger spool with rod	
15	3371 8141 16	1	Guide socket T	Use Loctite 245, 100 Nm
16	3371 8141 15	1	Auxiliary spool T	
17	3371 8147 23	4	Screw M10x35	Use Loctite 245, 40 Nm
18	3371 8057 14	2	Seal ring	½" BSP
19	3371 8137 09	2	Protective cap	½" BSP
20	3371 8057 11	2	Nipple	½" BSP, 55 Nm
21	3371 8141 12	1	Spool	
22	3371 8147 03	2	O-ring	
23	3371 8141 13	1	Auxiliary spool P	
24	3371 8147 10	2	O-ring	
25	3371 8141 14	1	Guide socket P	Use Loctite 245, 100 Nm
	3371 8140 51		Accumulator complete	Incl. fig. No. 27-33
27	3376 1170 71	1	- Protective nut	M24x1.5
28	3371 8147 09	1	- Seal ring	ø8.7/13x1
29	3371 8131 03	1	- Charging screw	
31	3371 8141 02	1	- Accumulator cover	
32	3371 8140 52	1	- Diaphragm	
33	3371 8141 04	1	- Accumulator body	
34	3371 8157 20	3	Screw M10x50	Use Loctite 245, 70 Nm
35	3371 8141 08	1	Valve housing	Plugged
36	3371 8157 38	1	Locking ring	
38	3371 8141 24	1	Cylinder	Incl. fig. No. 39
39	3371 8147 33	4	- Fitting 02	Use Loctite 275
40	3371 8141 72	1	Seal	
41	3371 8147 07	1	Wiper	
42	3371 8141 25	1	Piston	

A

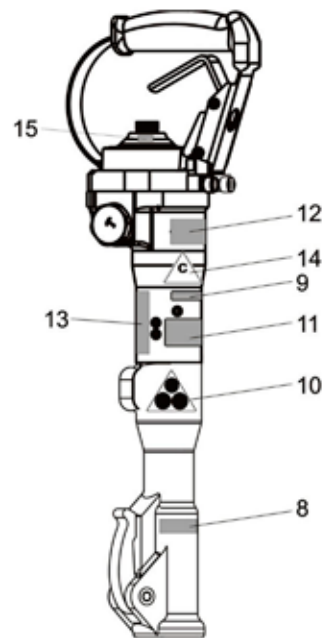
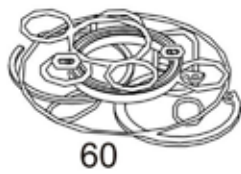
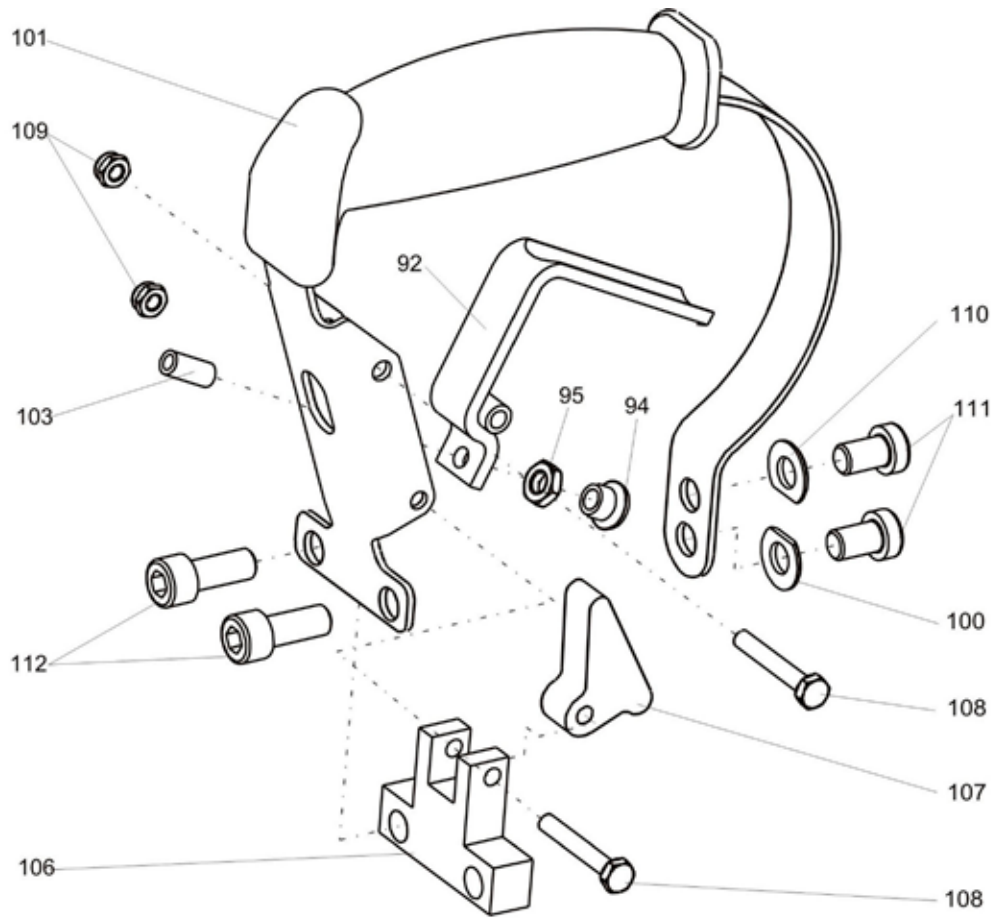


No.	Part Number	Quantity	Description	
	3371 8140 08		Nose part complete	Incl. fig. No. 43-50
43	3371 8157 20	2	- Screw M10x50 1 off from serial No. 101744	Use Loctite 245, 60 Nm
44	3371 8141 80	1	- Nose part	Hex 22
45	3371 8141 40	1	- Bushing	Hex 22, Use Loctite 275
46	3371 8020 75	1	- Spring	
47	3371 8020 73	1	- Lock pin	
48	3371 8151 22	1	- Latch	
49	3371 8157 30	1	- Roll pin	ø16x50
49	3371 8217 08	1	- Roll pin	ø16x40 from serial No. 101744
50	3371 8157 31	1	- Roll pin	ø10x50
50	3372 0050 12	1	- Roll pin	ø10x40 from serial No. 101744
54	3371 8157 35	3	Back-up washer	
55	3371 8141 69	1	Back-up washer	
56	3371 8147 54	1	Circlip	
70	3371 8147 48	1	O-ring	
71	3371 8147 49	1	O-ring	
72	3371 8207 06	2	O-ring	
73	3371 8147 50	2	O-ring	
74	3371 8147 51	1	O-ring	
78	3371 8141 81	1	Chisel bellows	
79	3371 8207 36	1	Circlip	ø57x2

Front handle (optional)

No.	Part Number	Quantity	Description	
	3371 8010 40		Front handle complete	Incl. fig. No. 86-93
86	3371 8147 40	1	- Screw	M10x130
87	3371 8147 41	1	- Screw	M10x70
88	3371 8147 42	2	- Nut	M10
89	3377 1000 10	2	- Washer	ø10
90	3371 8141 74	1	- Tube	
91	3371 8020 43	1	- Rubber handle	
92	3371 8141 73	1	- Bow	
93	3371 8147 44	2	- Bushing	

A



B



D-handle, BRK 25 D

No.	Part Number	Quantity	Description
	3371 8140 62		D-handle complete Incl. fig. No. 101-112
101	3371 8220 01	1	- D-handle
102	3371 8220 02	1	- Trigger lever
103	3377 1220 08	1	- Screw M8x30, Use Loctite 245
104	3371 8221 05	1	- Thrust pad
105	3371 8207 22	1	- Nut M8
106	3371 8221 04	1	- Backstop
107	3371 8201 31	1	- Trigger pawl
108	3371 8227 01	2	- Screw M6x40
109	3371 8147 16	2	- Nut M6
110	3371 8141 34	2	- Washer $\varnothing 10$
111	3371 8147 21	2	- Screw M10x16
112	3376 1000 01	2	- Screw M10x25

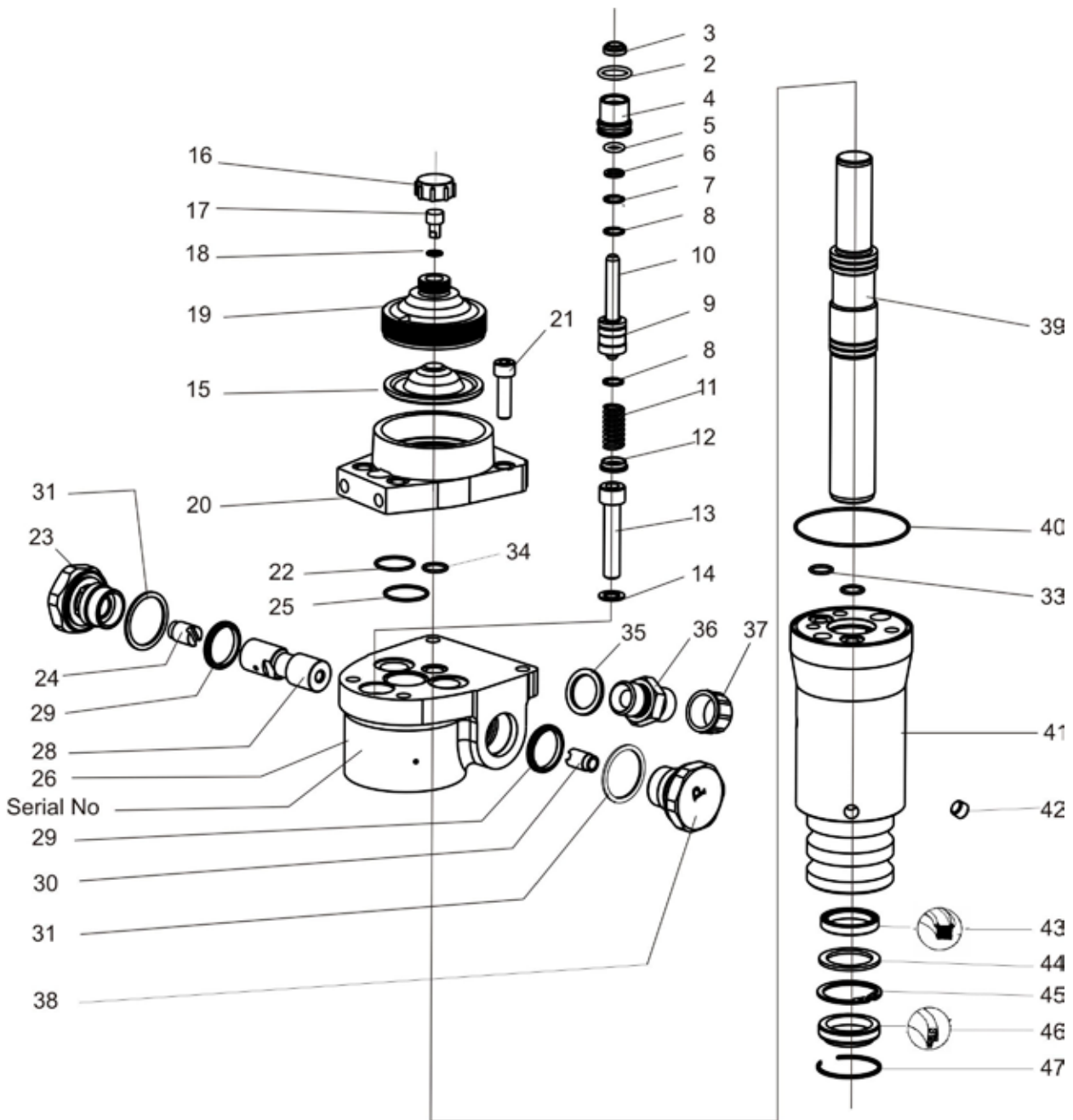
Seal kit, BRK 25 D

No.	Part Number	Quantity	Description
60	3371 8140 57		Seal kit Incl. fig. No. 7, 9-12, 18, 22, 24, 28, 36, 56, 70-74

Labels, BRK 25 D

No.	Part Number	Quantity	Description
8	3371 8021 11	1	Shank size 22x82,5
9		1	BRK 25 D model label Not supplied separately
10	3371 8960 61	1	Safety
11	3371 8971 56	1	CP logo Black
12		1	Data plate Not supplied separately
13		1	Sound power Not supplied separately
14	3371 8960 47	1	EHTMA Category C 20 l.p.m.
15	3371 8960 62	1	Pressure charge

B



C



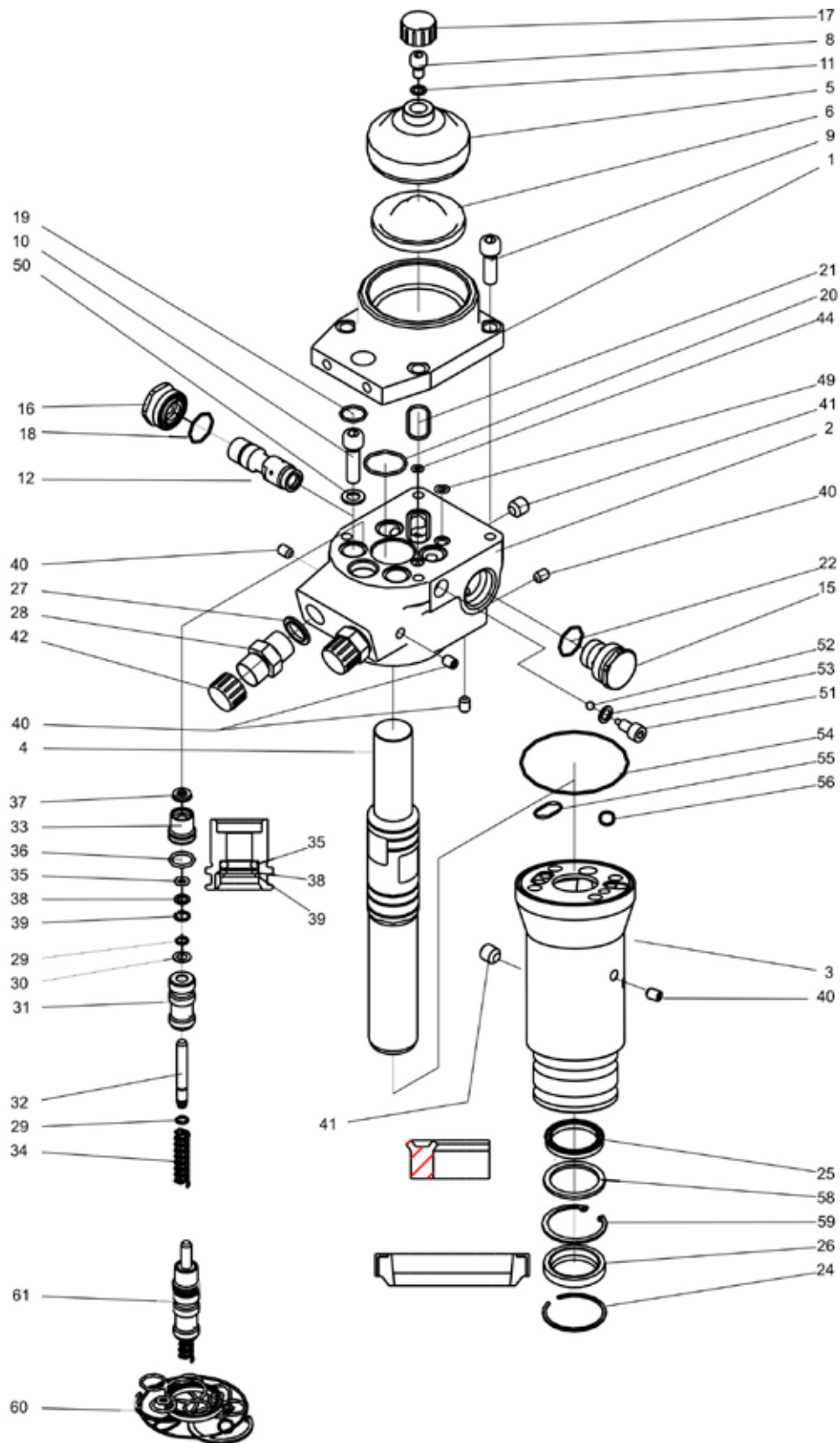
BRK 40 - 40 VR

No.	Part Number	Quantity	Description	
	3371 8140 58		Trigger complete	Incl. fig. No. 2-12
2	3371 8147 02	1	- O-ring	ø16.3x2.4
3	3371 8055 03	1	- Seal	ø8/14x3.5/5
4	3371 8141 20	1	- Packing gland	
5	3371 8147 00	1	- O-ring	ø8.3x2.4
6	3371 8147 01	1	- Back-up ring	
7	3371 8147 12	1	- Circlip	
8	3371 8147 32	2	- Circlip	
9	3371 8141 61	1	- Trigger spool	
10	3371 8151 66	1	- Trigger rod	
11	3371 8141 63	1	- Spring	
12	3371 8147 52	1	- Washer	
13	3371 8157 20	3	Screw M10x50	Use Loctite 245, 70 Nm
14	3371 8157 35	3	Back-up washer	
	3371 8140 60	1	Accumulator complete	Incl. fig. No.15-20
15	3371 8140 52	1	- Diaphragm	
16	3371 8137 10	1	- Protective cap	M24x1.5
17	3371 8131 03	1	- Charging screw	
18	3371 8147 09	1	- Seal ring	ø8.7/13x1
19	3371 8141 02	1	- Accumulator cover	
20	3371 8151 67	1	- Accumulator body	
21	3371 8147 23	4	Screw M10x35	Use Loctite 245, 40 Nm
22	3371 8207 06	2	O-ring	ø22x1.5
23	3371 8141 16	1	Guide socket T	Use Loctite 245, 100 Nm
24	3371 8141 15	1	Auxiliary spool T	
25	3371 8147 48	1	O-ring	ø25x1.5
26	3371 8141 08	1	Valve housing	Plugged
28	3371 8151 01	1	Spool	
29	3371 8147 03	2	O-ring	ø24.2x3
30	3371 8141 13	1	Auxiliary spool P	
31	3371 8147 10	2	O-ring	ø33x2
33	3371 8147 50	2	O-ring	ø12x1.5
34	3371 8147 49	1	O-ring	ø13x1.5
35	3371 8057 14	2	Seal ring	½" BSP
36	3371 8057 11	2	Nipple	½" BSP, 55 Nm
37	3371 8137 09	2	Protective cap	½" BSP

C



No.	Part Number	Quantity	Description	
38	3371 8141 14	1	Guide socket P	Use Loctite 245, 100 Nm
39	3371 8141 25	1	Piston	
40	3371 8147 51	1	O-ring	ø69x1.5
41	3371 8150 62	1	Cylinder	Incl. fig. No. 42
42	3371 8147 33	4	- Fitting 02	Use Loctite 275
43	3371 8141 72	1	Seal	ø28/36x5.7
44	3371 8141 69	1	Back-up washer	ø28.7/38x2
45	3371 8147 54	1	Circlip	
46	3371 8147 07	1	Wiper	ø28/38x7/10
47	3371 8157 38	1	Locking ring	
50	3371 8140 21		Seal kit BRK 40 - 40 VR	Incl. fig. No. 2, 3, 5-8, 16, 18, 22, 25, 29, 31-35, 40, 43-47, G109 (H23)



D



BRK 55 - 55 VR - 70 - 70 VR

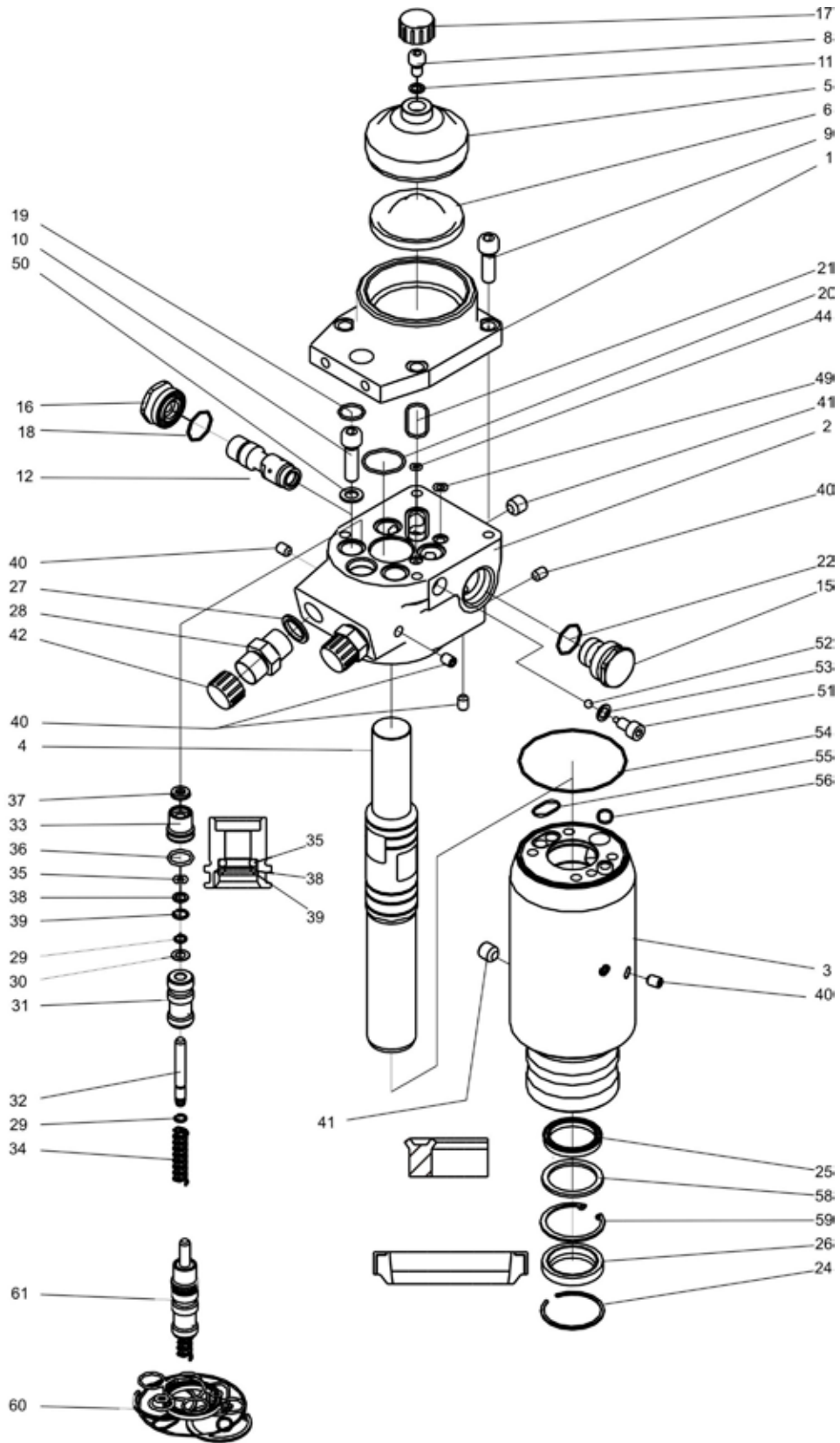
No.	Part Number	Quantity	Description	
1	3371 8201 01	1	Accumulator body	
2	3371 8200 88	1	Valve housing	Incl. fig. No. 40, 41, 51-53
2	3371 8210 64	1	Valve housing HBP	Incl. fig. No. 40, 41, 51-53
3	3371 8200 52	1	Cylinder BRK 55 - 55 VR	Incl. fig. No. 40, 41
3	3371 8210 62	1	Cylinder BRK 55 HBP	Incl. fig. No. 40, 41
3	3371 8200 65	1	Cylinder BRK 70 - 70 VR	Incl. fig. No. 40, 41
3	3371 8210 63	1	Cylinder BRK 70 HBP	Incl. fig. No. 40, 41
4	3371 8201 07	1	Piston BRK 55 - 55 VR	
4	3371 8211 59	1	Piston BRK 55 HBP	
4	3371 8202 11	1	Piston BRK 70 - 70 VR	
4	3371 8211 32	1	Piston BRK 70 HBP	
5	3371 8141 02	1	Accumulator cover	
6	3371 8140 52	1	Diaphragm	
8	3371 8131 03	1	Charging screw	
9	3371 8177 20	4	Screw M10x30	Use Loctite 245, 70 Nm
10	3371 8147 23	4	Screw M10x35	Use Loctite 245, 80 Nm
11	3371 8147 09	1	Seal ring	ø8.7/13x1
12	3371 8202 69	1	Spool	
12	3371 8211 33	1	Spool HBP	
15	3371 8202 66	1	Guide socket	Use Loctite 245, 100 Nm
15	3371 8211 34	1	Guide socket HBP	Use Loctite 245, 100 Nm
16	3371 8202 67	1	Spool socket	Use Loctite 245, 100 Nm
17	3371 8137 10	1	Protective cap	M24x1.5
18	3371 8207 02	1	O-ring	ø24x1.5
19	3371 8207 03	4	O-ring	ø18x2
20	3371 8207 04	1	O-ring	ø30x2
21	3371 8207 05	1	O-ring	ø32x2
22	3371 8207 62	1	O-ring	ø25.12x1.78
24	3371 8207 40	1	Locking ring	
25	3371 8201 76	1	Seal	ø32/40x6
26	3371 8207 08	1	Wiper	ø32/45x7/10
27	3371 8057 14	2	Seal ring	½" BSP
28	3371 8057 11	1	Nipple	(T) For 30 l.p.m. ½" BSP
28	3371 8180 13	1	Nipple	(T) For 25 l.p.m. ½" BSP
28	3371 8180 20	1	Nipple	(T) For 20 l.p.m. ½" BSP
28a	3371 8057 11	1	Nipple	(P) ½" BSP, 55 Nm
29	3371 8147 32	2	Circlip	

D



No.	Part Number	Quantity	Description	
30	3371 8207 00	1	Shim	PS 8x14x0.5
31	3371 8201 08	1	Trigger spool	
32	3371 8201 36	1	Trigger rod	
33	3371 8141 20	1	Packing gland	
34	3371 8201 37	1	Spring	
35	3371 8147 00	1	O-ring	ø8.3x2.4
36	3371 8147 02	1	O-ring	ø16.3x2.4
37	3371 8055 03	1	Seal	ø18/14x3.5/5
38	3371 8147 01	1	Back-up ring	
39	3371 8147 12	1	Circlip	
40	3371 8147 33	6	Fitting 02	Use Loctite 245
41	3371 8131 41	3	Fitting 04	Use Loctite 245
42	3371 8137 09	2	Protective cap	½" BSP
44	3371 8177 57	1	O-ring	ø6x2
49	3376 1000 84	1	O-ring	ø8x2
50	3371 8157 35	4	Back-up washer	
51	3371 8201 15	1	Check valve screw	
52	3371 8207 17	1	Ball	
53	3371 8207 18	1	Seal ring	ø9/14x1
54	3371 8207 25	1	O-ring	ø82x1.5
55	3371 8207 26	1	O-ring	ø16x1.5
56	3371 8147 49	1	O-ring	ø13x1.5
58	3371 8201 67	1	Back-up washer	ø32.7/45x2.5
59	3371 8207 27	1	Locking ring	
60	3371 8200 89		Seal kit BRK 55 - 55 VR - 70 - 70 VR	Incl. fig. No. 11, 17-22, 24-27, 29, 30, 35-39, 44, 49, 53-56, 58, 59, G109 (H23)
61	3371 8200 53		Trigger valve complete	Incl. fig. No. 29-39
	3371 8200 50		Accumulator complete	Incl. fig. No. 1, 5, 6, 8, 11, 17

D



E



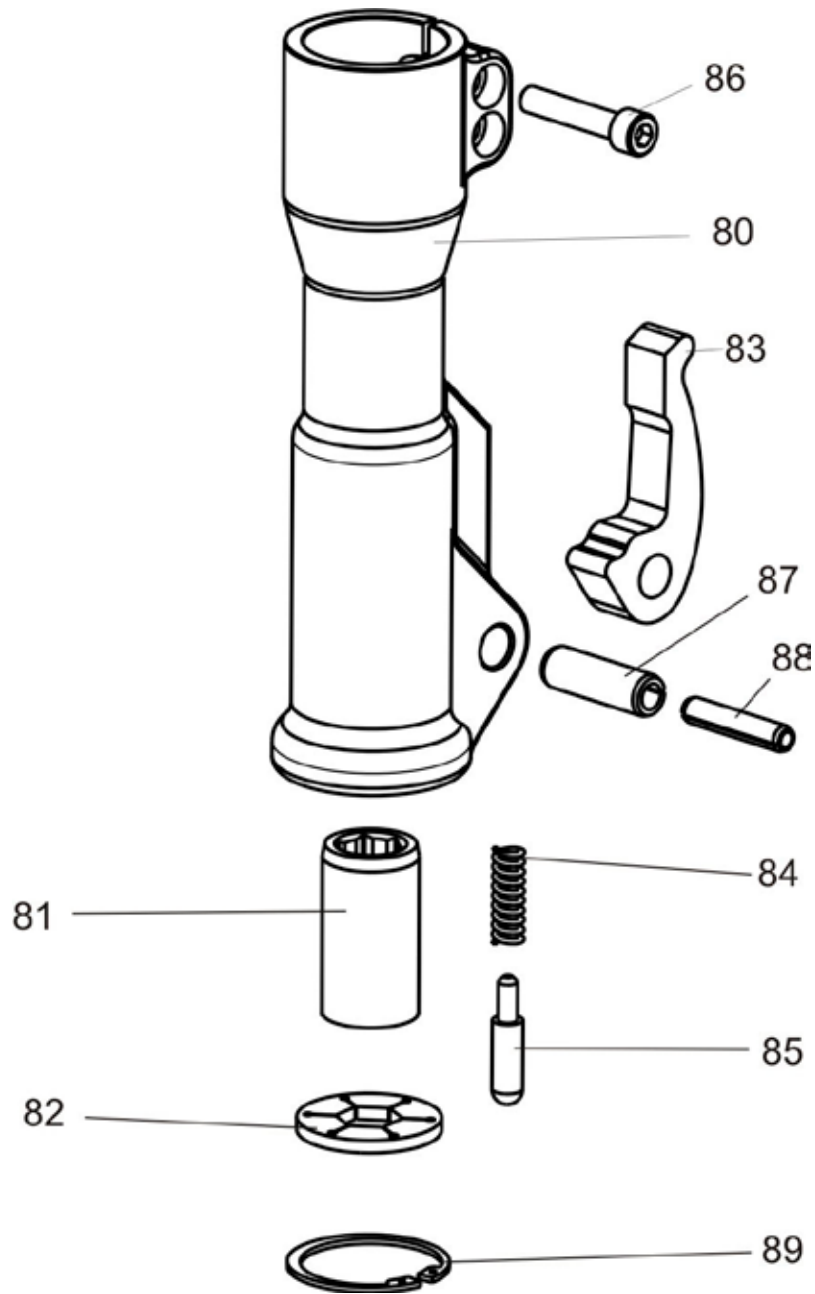
BRK 95 - 95 VR

No.	Part Number	Quantity	Description
1	3371 8201 01	1	Accumulator body
2	3371 8200 85	1	Valve housing Incl. fig. No. 40, 41, 51-53
3	3371 8200 75	1	Cylinder Incl. fig. No. 40, 41
4	3371 8202 48	1	Piston
5	3371 8141 02	1	Accumulator cover
6	3371 8140 52	1	Diaphragm
8	3371 8131 03	1	Charging screw
9	3371 8177 20	4	Screw M10x30 Use Loctite 245, 70 Nm
10	3371 8147 23	4	Screw M10x35 Use Loctite 245, 80 Nm
11	3371 8147 09	1	Seal ring $\varnothing 8.7/13 \times 1$
12	3371 8202 65	1	Spool
15	3371 8202 66	1	Guide socket Use Loctite 245, 100 Nm
16	3371 8202 67	1	Spool socket Use Loctite 245, 100 Nm
17	3371 8137 10	1	Protective cap M24x1.5
18	3371 8207 02	1	O-ring $\varnothing 24 \times 1.5$
19	3371 8207 03	4	O-ring $\varnothing 18 \times 2$
21	3371 8207 05	2	O-ring $\varnothing 32 \times 2$
22	3371 8207 62	1	O-ring $\varnothing 25.12 \times 1.78$
24	3371 8207 51	1	Locking ring
25	3371 8207 49	1	Seal $\varnothing 38/45 \times 6$
26	3371 8207 52	1	Wiper $\varnothing 38/48 \times 7/10$
27	3371 8057 14	2	Seal ring 1/2" BSP
28	3371 8057 11	1	Nipple (T) For 40 l.p.m. 1/2" BSP
28	3371 8181 20	1	Nipple (T) For 35 l.p.m. 1/2" BSP
28	3371 8180 13	1	Nipple (T) For 30 l.p.m. 1/2" BSP
28a	3371 8057 11	1	Nipple (P) 1/2" BSP, 55 Nm
29	3371 8147 32	2	Circlip
30	3371 8207 00	1	Shim PS 8x14x0.5
31	3371 8201 08	1	Trigger spool
32	3371 8201 36	1	Trigger rod
33	3371 8141 20	1	Packing gland
34	3371 8201 37	1	Spring
35	3371 8147 00	1	O-ring $\varnothing 8.3 \times 2.4$
36	3371 8147 02	1	O-ring $\varnothing 16.3 \times 2.4$
37	3371 8055 03	1	Seal $\varnothing 18/14 \times 3.5/5$
38	3371 8147 01	1	Back-up ring
39	3371 8147 12	1	Circlip

E



No.	Part Number	Quantity	Description	
40	3371 8147 33	6	Fitting 02	Use Loctite 245
41	3371 8131 41	3	Fitting 04	Use Loctite 245
42	3371 8137 09	2	Protective cap	½" BSP
44	3371 8177 57	1	O-ring	ø6x2
49	3376 1000 84	1	O-ring	ø8x2
50	3371 8157 35	4	Back-up washer	
51	3371 8202 62	1	Check valve screw	
52	3371 8207 17	1	Ball	
53	3371 8207 18	1	Seal ring	ø9/14x1
54	3371 8207 25	1	O-ring	ø82x1.5
55	3371 8207 48	1	O-ring	ø18x1.5
56	3371 8147 49	1	O-ring	ø13x1.5
58	3371 8202 60	1	Back-up washer	ø38.7/48x2.5
59	3371 8207 50	1	Locking ring	
60	3371 8200 87		Seal kit BRK 95 - 95 VR	Incl. fig. No. 11, 17-22, 24-27, 29, 30, 35-39, 44, 49, 53-56, 58, 59, G109 (H23)
61	3371 8200 53		Trigger valve complete	Incl. fig. No. 29-39





Nose parts

BRK 40 - 40 VR - 55 - 55 VR - 70 - 70 VR

No.	Part Number	Quantity	Description
	3371 8200 28		Nose part 25x108 complete
80	3371 8201 98	1	- Nose part Hex 25
81	3371 8201 91	1	- Bushing Hex 25x108 Use Loctite 648 (275)
82	3371 8201 93	1	- Chisel bellows Hex 25
83	3371 8201 45	1	- Latch
84	3371 8020 75	1	- Spring
85	3371 8020 73	1	- Lock pin
86	3371 8147 24	2	- Screw M10x55 Use Loctite 245, 60 Nm
87	3371 8157 30	1	- Roll pin \varnothing 16x50
88	3371 8157 31	1	- Roll pin \varnothing 10x50
89	3371 8207 36	1	- Locking ring \varnothing 57x2
	3371 8200 78		Nose part 28x160 complete
80	3371 8201 95	1	- Nose part Hex 28/32
81	3371 8202 18	1	- Bushing Hex 28x160 Use Loctite 648 (275)
82	3371 8202 19	1	- Chisel bellows Hex 28
83	3371 8201 45	1	- Latch
84	3371 8020 75	1	- Spring
85	3371 8020 73	1	- Lock pin
86	3371 8147 24	2	- Screw M10x55 Use Loctite 245, 60 Nm
87	3371 8157 30	1	- Roll pin \varnothing 16x50
88	3371 8157 31	1	- Roll pin \varnothing 10x50
89	3371 8207 37	1	- Locking ring \varnothing 64x2
	3371 8200 34		Nose part 32x152 complete
80	3371 8201 95	1	- Nose part Hex 28/32
81	3371 8202 12	1	- Bushing Hex 32x152 Use Loctite 648 (275)
82	3371 8201 92	1	- Chisel bellows Hex 32
83	3371 8201 45	1	- Latch
84	3371 8020 75	1	- Spring
85	3371 8020 73	1	- Lock pin
86	3371 8147 24	2	- Screw M10x55 Use Loctite 245, 60 Nm
87	3371 8157 30	1	- Roll pin \varnothing 16x50
88	3371 8157 31	1	- Roll pin \varnothing 10x50
89	3371 8207 37	1	- Locking ring \varnothing 64x2

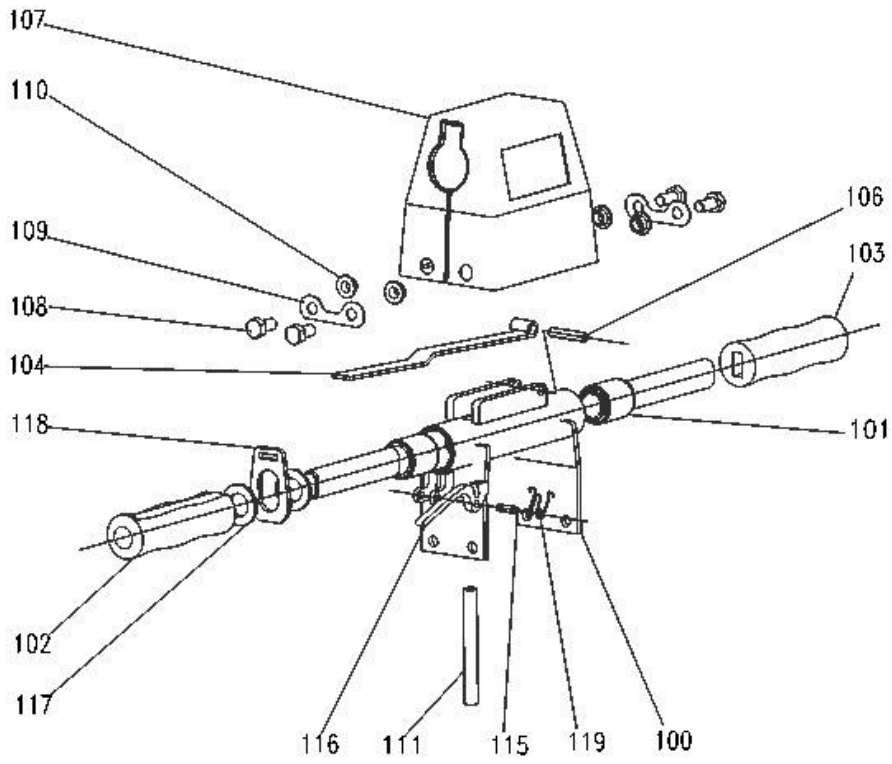


No.	Part Number	Quantity	Description
	3371 8200 27		Nose part 32x160 complete
80	3371 8201 95	1	- Nose part Hex 28/32
81	3371 8201 94	1	- Bushing Hex 32x160 Use Loctite 648 (275)
82	3371 8201 92	1	- Chisel bellows Hex 32
83	3371 8201 45	1	- Latch
84	3371 8020 75	1	- Spring
85	3371 8020 73	1	- Lock pin
86	3371 8147 24	2	- Screw M10x55 Use Loctite 245, 60 Nm
87	3371 8157 30	1	- Roll pin \varnothing 16x50
88	3371 8157 31	1	- Roll pin \varnothing 10x50
89	3371 8207 37	1	- Locking ring \varnothing 64x2

Nose parts BRK 95 - 95 VR

No.	Part Number	Quantity	Description
	3371 8200 77		Nose part 32x160 complete
80	3371 8202 59	1	- Nose part Hex 28/32
81	3371 8201 94	1	- Bushing Hex 32x160 Use Loctite 648 (275)
82	3371 8201 92	1	- Chisel bellows Hex 32
83	3371 8201 45	1	- Latch
84	3371 8020 75	1	- Spring
85	3371 8020 73	1	- Lock pin
86	3371 8207 53	2	- Screw M12x75 Use Loctite 245, 60 Nm
87	3371 8137 13	1	- Roll pin \varnothing 16x60
88	3371 8137 14	1	- Roll pin \varnothing 10x60
89	3371 8207 37	1	- Locking ring \varnothing 64x2
	3371 8200 76		Nose part 32x152 complete
80	3371 8202 59	1	- Nose part Hex 28/32
81	3371 8202 12	1	- Bushing Hex 32x152 Use Loctite 648 (275)
82	3371 8201 92	1	- Chisel bellows Hex 32
83	3371 8201 45	1	- Latch
84	3371 8020 75	1	- Spring
85	3371 8020 73	1	- Lock pin
86	3371 8207 53	2	- Screw M12x75 Use Loctite 245, 60 Nm
87	3371 8137 13	1	- Roll pin \varnothing 16x60
88	3371 8137 14	1	- Roll pin \varnothing 10x60
89	3371 8207 37	1	- Locking ring \varnothing 64x2

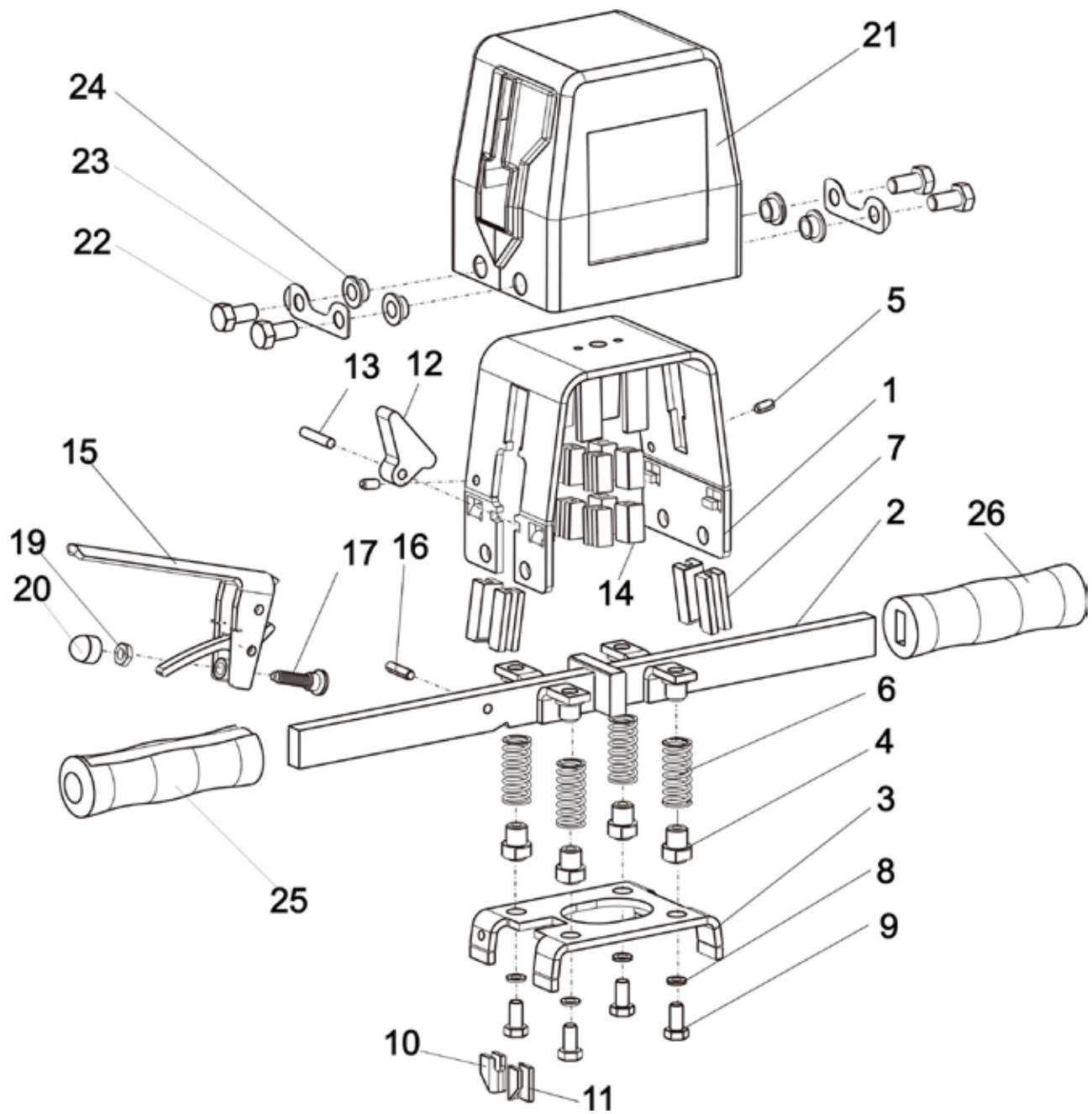
F





Handle, standard BRK 40 - 55 - 70 - 95

No.	Part Number	Quantity	Description
	3371 8200 45		S-handle complete With plastic cover
100	3371 8202 03	1	- Bracket
101	3371 8202 04	2	- Handle standard
102	3371 8201 35	1	- Rubber handle
103	3371 8201 34	1	- Rubber handle
104	3371 8202 38	1	- Trigger, standard
106	3371 8157 33	1	- Roll pin $\varnothing 8 \times 40$
107	3371 8200 41	1	- Top cover
108	3371 8157 22	4	- Screw M10x20
109	3371 8151 31	2	- Nab
110	3371 8151 13	4	- Spacer
111	3371 8202 07	1	- Nylon guide
115	3371 8207 41	1	- Slotted pin $\varnothing 6 \times 22$
116	3371 8202 36	1	- Safety trigger
117	3371 8207 47	2	- Washer nylon $\varnothing 21/37 \times 3$
118	3371 8202 37	1	- Lock plate
119	3371 8201 52	1	- Spring

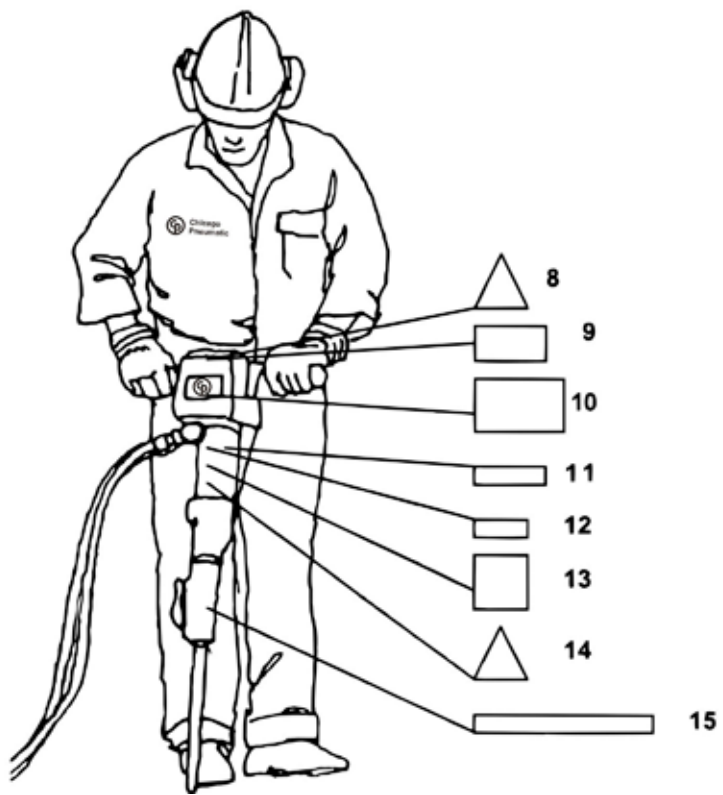
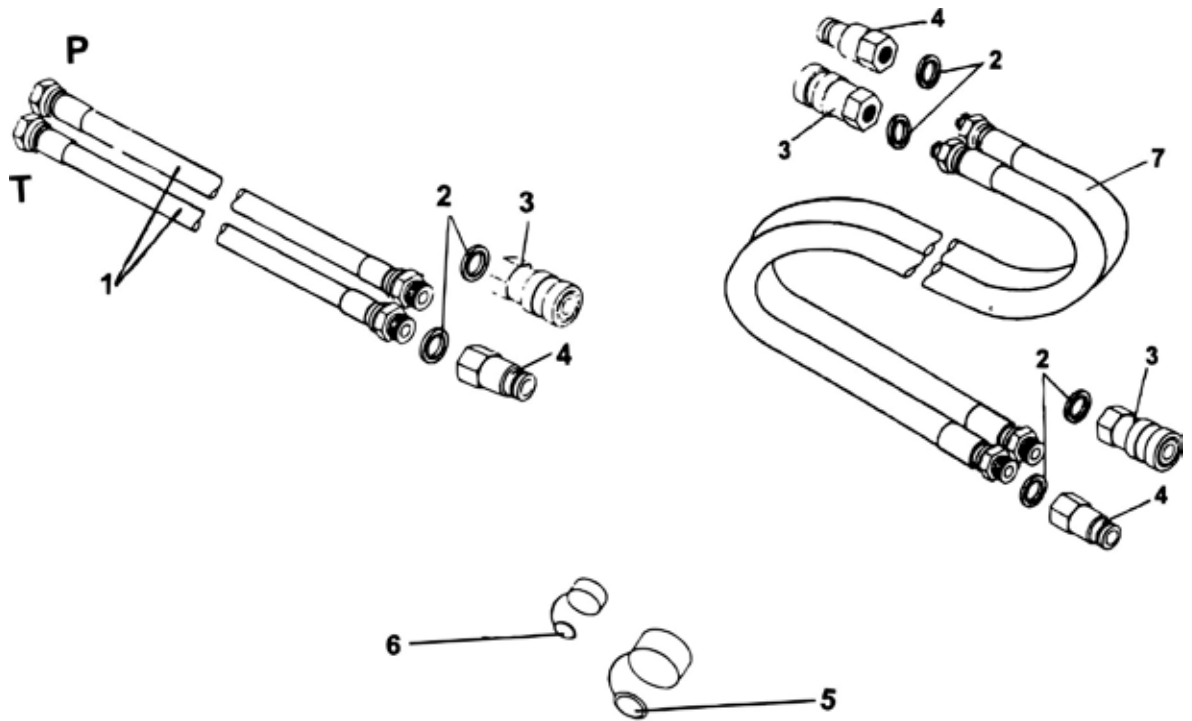


H



E-Handle BRK 40 VR - 55 VR - 70 VR - 95 VR

No.	Part Number	Quantity	Description
	3371 8200 98		E-handle complete With plastic cover
	3371 8210 50		E-handle without cover Fig. No. 1-20, 25, 26
	3371 8203 16		Frame complete Incl. fig. No. 1-9, 14
1	3371 8203 15	1	- Frame
2	3371 8203 14	1	- Handle rod
3	3371 8203 06	1	- Bottom plate
4	3371 8203 07	4	- Spring guide
5	3371 8207 63	2	- Roll pin $\varnothing 6 \times 12$
6	3371 8203 08	4	- Spring
7	3371 8203 09	4	- Nylon guide
8	3377 0004 69	4	- Washer $\varnothing 8$
9	3372 0050 03	4	- Screw M8x16
10	3371 8201 47	1	- Pin latch right
11	3371 8201 48	1	- Pin latch left
12	3371 8201 31	1	- Trigger pawl
13	3371 8207 11	1	- Pin $\varnothing 6 \times 30$
14	3371 8203 13	8	- Nylon guide
15	3371 8200 57	1	- Trigger lever
16	3371 8207 12	1	- Roll pin $\varnothing 6 \times 24$
17	3371 8200 66	1	- Thrust pad With screw M8
19	3371 8207 22	1	- Nut M8
20	3371 8207 35	1	- Nut cap M8-Hex 13 black
21	3371 8200 59	1	- Top cover
22	3371 8157 22	4	- Screw M10x20
23	3371 8151 31	2	- Nab
24	3371 8151 13	4	- Spacer
25	3371 8201 35	1	- Rubber handle
26	3371 8201 34	1	- Rubber handle





Hoses and couplings

No.	Part Number	Quantity	Description	
	3371 8011 89		Connection hose kit	1.6 m 3/8" only for BRK 25 D
1	3371 8030 75	2	- Hose	1.6 m 3/8"
2	3371 8057 14	2	- Seal ring	Bonded seal 1/2" BSP
3	3371 8051 33	1	- Quick-release coupling	Female 1/2" BSP
4	3371 8051 34	1	- Quick-release coupling	Male 1/2" BSP
5	3371 8057 33	1	- Protective cap	Female
6	3371 8057 32	1	- Protective cap	Male
	3371 8010 83		Connection hose kit	0.4 m 1/2" BRK 40-55-70-95
1	3371 8030 50	2	- Hose	0.4 m 1/2"
2	3371 8057 14	2	- Seal ring	Bonded seal 1/2" BSP
3	3371 8051 33	1	- Quick-release coupling	Female 1/2" BSP
4	3371 8051 34	1	- Quick-release coupling	Male 1/2" BSP
5	3371 8057 33	1	- Protective cap	Female
6	3371 8057 32	1	- Protective cap	Male
	3371 8010 87		Twin hose, complete	7 m 1/2"
2	3371 8057 14	4	- Seal ring	Bonded seal 1/2" BSP
3	3371 8051 33	2	- Quick-release coupling	Female 1/2" BSP
4	3371 8051 34	2	- Quick-release coupling	Male 1/2" BSP
5	3371 8057 33	2	- Protective cap	Female
6	3371 8057 32	2	- Protective cap	Male
7	3371 8030 52	1	- Twin hose	7 m 1/2"



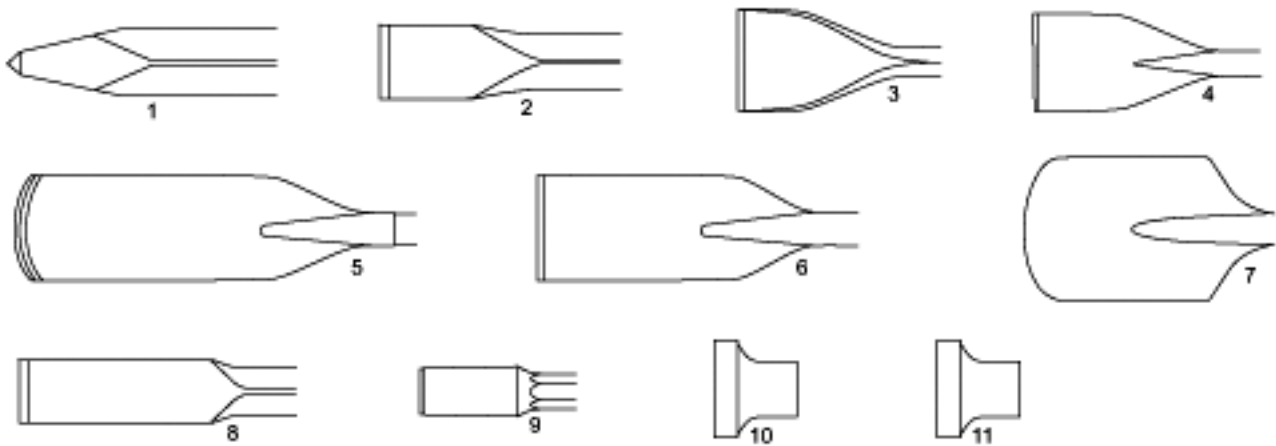
Labels

BRK 40-40 VR-55-55 VR-70-70 VR-95-95 VR

No.	Part number	Quantity	Description
8	3371 8960 61	1	Safety
9	3371 8960 62	1	Pressure charge
10	3371 8971 55	2	CP logo Red
11		1	Breaker model label Not supplied separately
12		1	Data plate Not supplied separately
13		1	Sound power Not supplied separately
14	3371 8960 47	1	EHTMA Category C 20 l.p.m.
14	3371 8960 48	1	EHTMA Category D 30 l.p.m.
14	3371 8960 49	1	EHTMA Category E 40 l.p.m.
15	3371 8021 09	1	Shank size 25x108
15	3371 8021 07	1	Shank size 28x160
15	3371 8021 06	1	Shank size 32x152
15	3371 8021 05	1	Shank size 32x160



Working tools



Available in various tool lengths

Shank Hex $\frac{7}{8}$ " x $3\frac{1}{4}$ " (22x82.5 mm)

Point to flat (ISO standard)

No.	Description	Working length		Total length		Blade/ tip width		Weight		Part number
		inch	mm	inch	mm	inch	mm	lb	kg	
1	Moil point	15	380	19	475			3.3	1.5	3083 3242 00
2	Narrow chisel	15	380	19	475			3.3	1.5	3083 3244 00
3	Wide chisel	15	380	19	475	3	75	5.1	2.3	3083 3246 00
4	Asphalt cutter	15	380	19	475	5	125	7.0	3.2	3083 3069 00
5	Digging chisel	18	450	21	545	3	75	7.7	3.5	3083 3247 00
6	Digging spade	16	400	19	475	4 $\frac{3}{4}$	120	8.1	3.7	3083 3248 00
7	Clay spade	17	430	21	525	5	125	7.3	3.3	3083 3249 00
8	Wedge chisel	15	380	19	475	1 $\frac{3}{8}$	35	5.7	2.6	3083 3250 00
9	Shaft for tamping pad	12	310	16	405			2.7	1.3	3083 3251 00
10	Tamping pad, round					7	175	16.5	7.5	3083 3252 10
11	Tamping pad, square					7	175	13.2	6.0	3083 3239 00

J



Shank Hex 1 "x4¼ " (25x108 mm)

Point to flat (ISO standard)

No.	Description	Working length		Total length		Blade/ tip width		Weight		Part number
		inch	mm	inch	mm	inch	mm	lb	kg	
1	Moil point	15	380	20	500			4.6	2.1	3083 3253 00
2	Narrow chisel	15	380	20	500			4.6	2.1	3083 3254 00
3	Wide chisel	15	380	20	500	3	75	5.5	2.5	3083 3255 00
5	Digging chisel	15	380	20	500	3	75	7.0	3.2	3083 3256 00
6	Digging spade	15	380	20	500	4¾	120	8.6	3.9	3083 3257 00
7	Clay spade	17	430	22	550	5	125	7.3	3.3	3083 3033 00
8	Wedge chisel	15	380	20	500	1¾	35	5.3	2.4	3083 3258 00
9	Shaft for tamping pad	11	280	16	400			4.2	1.9	3083 3259 00
10	Tamping pad, round					7	175	16.5	7.5	3083 3252 10
11	Tamping pad, square					7	175	13.2	6.0	3083 3239 00

Shank Hex 1 ⅛ "x6 " (28x152 mm)

Point to flat (US standard)

No.	Description	Working length		Total length		Blade/ tip width		Weight		Part number
		inch	mm	inch	mm	inch	mm	lb	kg	
1	Moil point	14	350	20	515			5.7	2.6	3083 3267 00
2	Narrow chisel	14	350	20	515			5.7	2.6	3083 3268 00
3	Wide chisel	15	380	21	545	3	75	6.8	3.1	3083 3289 00
4	Asphalt cutter	13	330	19	495	5	125	7.9	3.6	3083 3290 00
5	Digging chisel	15	380	21	545	3	75	9.2	4.2	3083 3291 00
6	Digging spade	13	320	19	485	5	125	8.4	3.8	3083 3292 00
7	Clay spade	15	380	21	545	5½	140	11.0	5.0	3083 3293 00
8	Wedge chisel	16	400	22	565	2	50	11.0	5.0	3083 3294 00
9	Shaft for tamping pad	9	230	16	395			6.2	2.8	3083 3269 00
10	Tamping pad, round					7	180	15.8	7.2	3083 3301 00
11	Tamping pad, square					6	150	18.3	8.3	3083 3302 00



Shank Hex 1 1/8 "x6 1/4 " (28x160 mm)

Point to flat (ISO standard)

No.	Description	Working length		Total length		Blade/ tip width		Weight		Part number
		inch	mm	inch	mm	inch	mm	lb	kg	
1	Moil point	15	380	21	545			6.2	2.8	3083 3271 00
2	Narrow chisel	15	380	21	545			6.2	2.8	3083 3274 00
3	Wide chisel	15	380	21	545	3	75	6.8	3.1	3083 3277 00
4	Asphalt cutter	12	300	18	465	4 1/2	115	7.9	3.6	3083 3278 00
5	Digging chisel	15	380	21	545	3	75	8.8	4.0	3083 3279 00
6	Digging spade	15	380	21	545	5	125	10.3	4.7	3083 3280 00
7	Clay spade	15	380	21	545	5 1/2	140	11.9	5.4	3083 3281 00
8	Wedge chisel	16	400	22	565	1 1/2	40	8.6	3.9	3083 3282 00
9	Shaft for tamping pad	9	230	16	395			6.2	2.8	3083 3283 01
10	Tamping pad, round					7	180	15.8	7.2	3083 3301 00
11	Tamping pad, square					6	150	18.3	8.3	3083 3302 00

Shank Hex 1 1/4 "x6 " (32x152 mm)

Point to flat (US standard)

No.	Description	Working length		Total length		Blade/ tip width		Weight		Part number
		inch	mm	inch	mm	inch	mm	lb	kg	
1	Moil point	14	355	20	520			7.3	3.3	3083 3285 00
2	Narrow chisel	14	355	20	520			7.3	3.3	3083 3286 00
3	Wide chisel	15	380	21	545	3	75	7.9	3.6	3083 3295 00
4	Asphalt cutter	13	330	19	495	5	125	8.8	4.0	3083 3296 00
5	Digging chisel	15	380	21	545	3	75	9.7	4.4	3083 3297 00
6	Digging spade	13	320	19	485	5	125	9.5	4.3	3083 3298 00
7	Clay spade	15	380	21	545	5 1/2	140	11.9	5.4	3083 3299 00
8	Wedge chisel	16	400	22	565	2	50	12.1	5.5	3083 3300 00
9	Shaft for tamping pad	9	230	16	395			6.8	3.1	3083 3287 00
10	Tamping pad, round					7	180	15.8	7.2	3083 3301 00
11	Tamping pad, square					6	150	18.3	8.3	3083 3302 00

J



Shank Hex 1 1/4 "x6 1/4 " (32x160 mm)

Point to flat (ISO standard)

No.	Description	Working length		Total length		Blade/ tip width		Weight		Part number
		inch	mm	inch	mm	inch	mm	lb	kg	
1	Moil point	15	380	21	545			7.7	3.5	3083 3205 00
2	Narrow chisel	15	380	21	545			7.7	3.5	3083 3208 00
3	Wide chisel	15	380	21	545	3	75	8.1	3.7	3083 3211 00
4	Asphalt cutter	12	300	18	465	4 1/2	115	8.4	3.8	3083 3212 00
5	Digging chisel	15	380	21	545	3	75	9.7	4.4	3083 3213 00
6	Digging spade	15	380	21	545	5	125	11.2	5.1	3083 3214 00
7	Clay spade	15	380	21	545	5 1/2	140	11.9	5.4	3083 3215 00
8	Wedge chisel	16	400	22	565	1 1/2	40	9.0	4.1	3083 3216 00
9	Shaft for tamping pad	9 1/4	235	16	400			7.0	3.2	3083 3218 01
10	Tamping pad, round					7	180	15.8	7.2	3083 3301 00
11	Tamping pad, square					6	150	18.3	8.3	3083 3302 00

J



2008-12

No. 3392 5165 01 a

© Copyright Chicago Pneumatic Construction Tools
STOCKHOLM • SWEDEN

Chicago Pneumatic Construction Tools