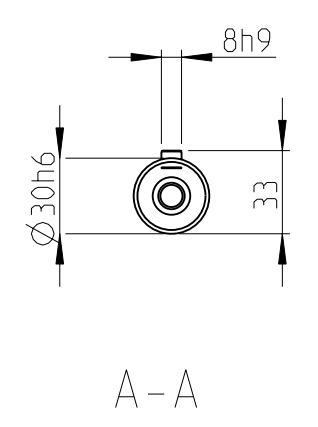
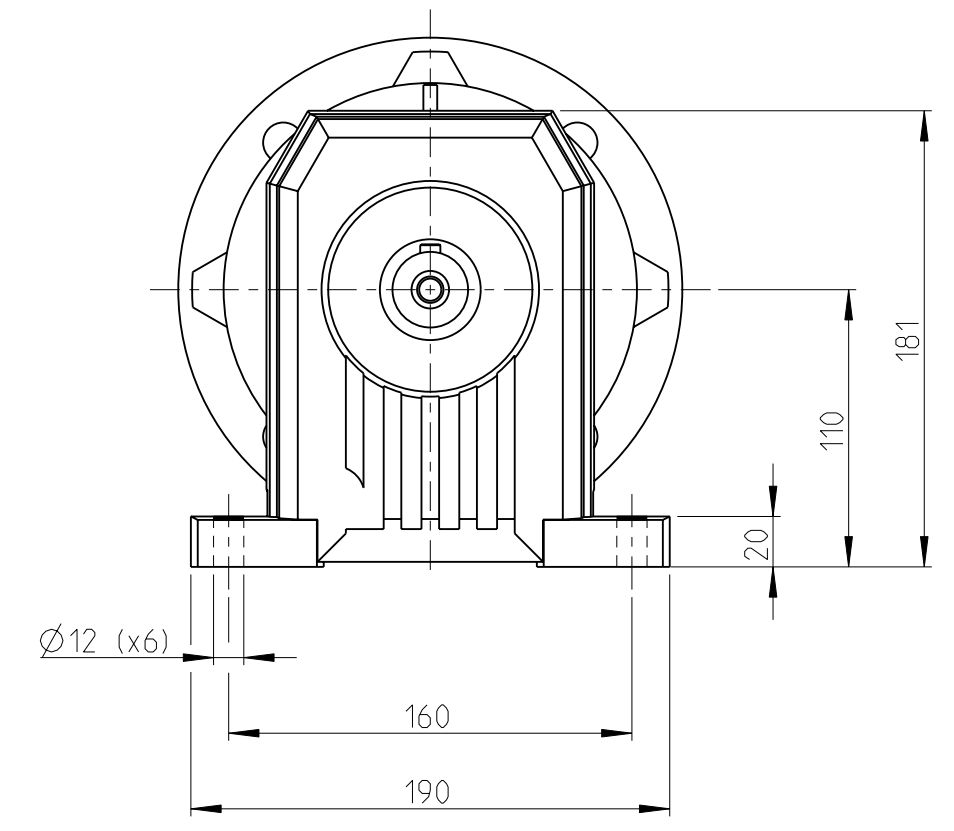
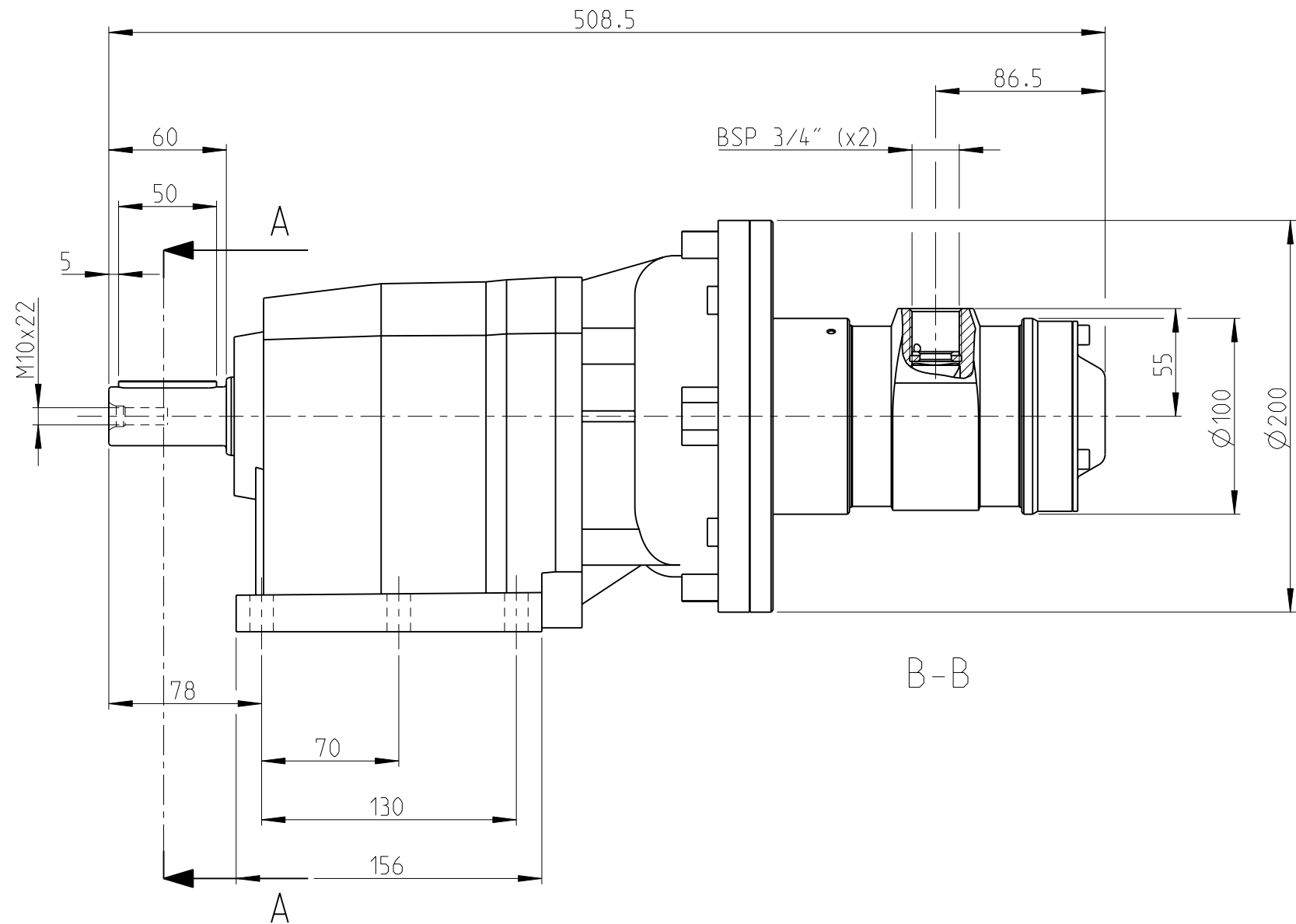


Model name: LZL15-BF322-A  
 Drawing name: LZL15-BF322-A  
 Rev. Ver: 0.2  
 Rev. Ver: 0.0



MOTOR NAME	ORDERING NO.
LZL15-BF322-A-011	8411 1810 61
LZL15-BF322-A-018	8411 1810 87
LZL15-BF322-A-033	8411 1811 03
LZL15-BF322-A-060	8411 1811 29

Tolerances, if not indicated, according to:		-	-	-	-	-	
AC-STD		-	-	-	-	-	
Name: LZL15-BF322-A				LZL15		Secrecy class	
Material: -				1102 K/-			
-				CAD Pro/E			
	Scale	1:3	Format	A3	Family	-	
	Drawn	F GRINELL		Blank	-	Compare	-
Transferred from	Cons.class	1295 K/-	Rev	0	Status	In Work	
-	Mass/Volume	-	Date	2013-01-18	Designation	LZL15-BF322-A	
						Drawing owner	TOO
						Sheet 1 (1)	

Note	Pos.	Modified from	Date	Intr.
0	-	-	-	-

This document is our property and shall not without our permission be altered, copied, used for manufacturing or communicated to any other person or company.