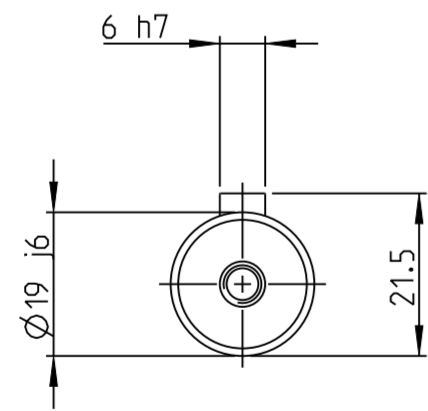
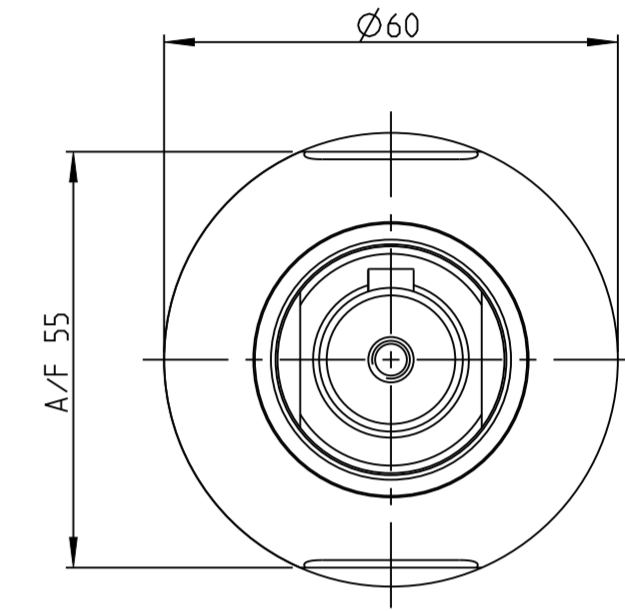
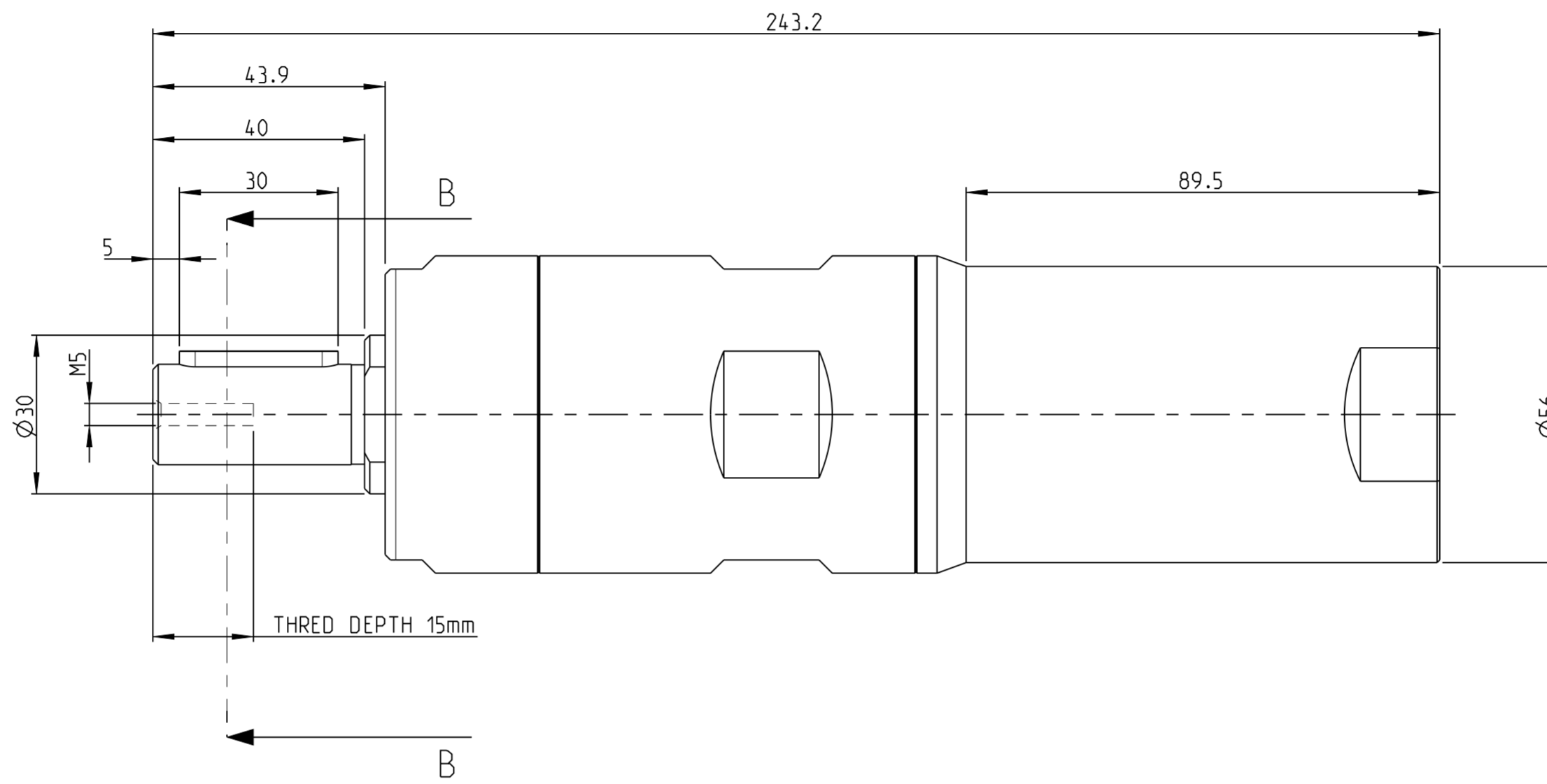
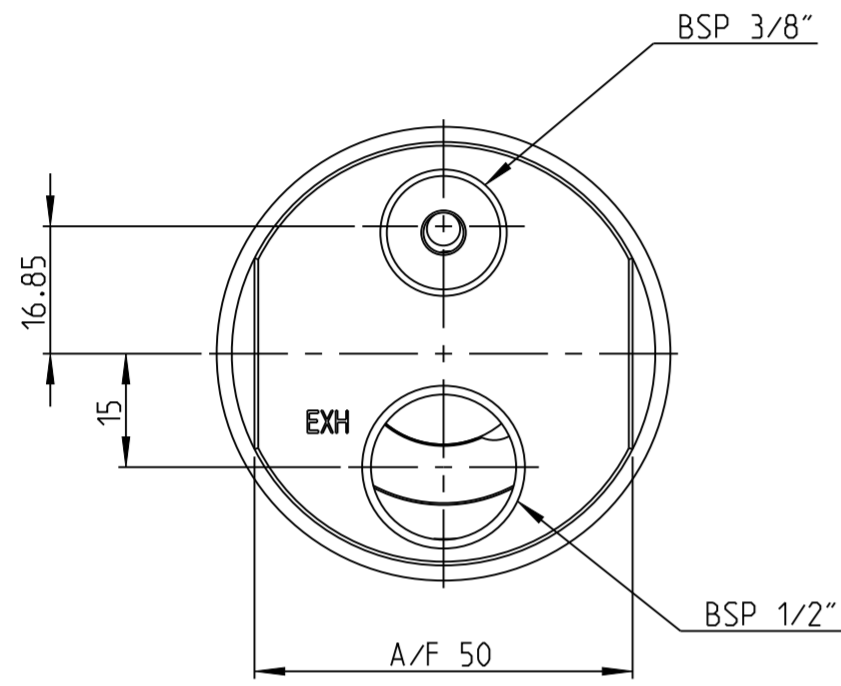


Model name	LZB54_AV_2_11	Rev. No.	0.2
Drawing name	LZB54_AV_2_11	Rev. No.	0.2



B-B

MOTOR NAME	ORDER NO.
LZB54-L-AV010-11	8411 0564 46
LZB54-L-AV007-11	8411 0564 53
LZB54-L-AV005-11	8411 0564 61

This document and its content is the intellectual property of Atlas Copco. Industrial, Technical, Trade, and Service marks are the property of their respective owners. All rights reserved. No part of this document may be reproduced, stored in a retrieval system, or transmitted in any form or by any means, electronic, mechanical, photocopying, recording, or by any information storage and retrieval system, without prior written authorization is strictly prohibited.

Note	Pos.	Modified from	Date	Intr.
0	-	-	-	-

Tolerances, if not indicated, according to:		-	-	-	-	-	-		
AC-STD		-	-	-	-	-	-		
Name		VANE MOTOR LZB54-L-AVXXX-11			LZB54-AV		Secrecy class		
Material		-			1102 K/-				
					CAD Pro/E				
Scale		1:1	Format	A2	Family	-	Compare	-	
		Drawn		F GRINELL	Blank	-	Replaces	-	
Transferred from		Cons.class		1295 K/-	Rev	0	Status	In Work	
		Mass/Volume		-		Date	2013-05-06	Designation	LZB54_AV_2_11
							Drawing owner	T00	
							Sheet 1 (1)		