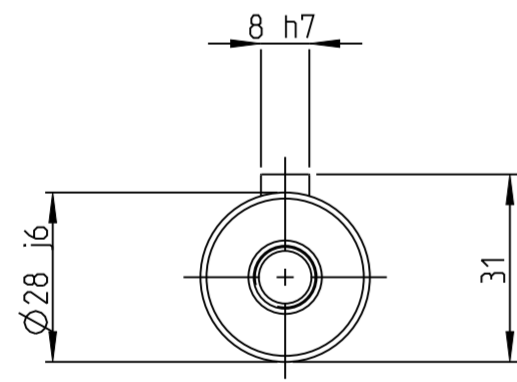
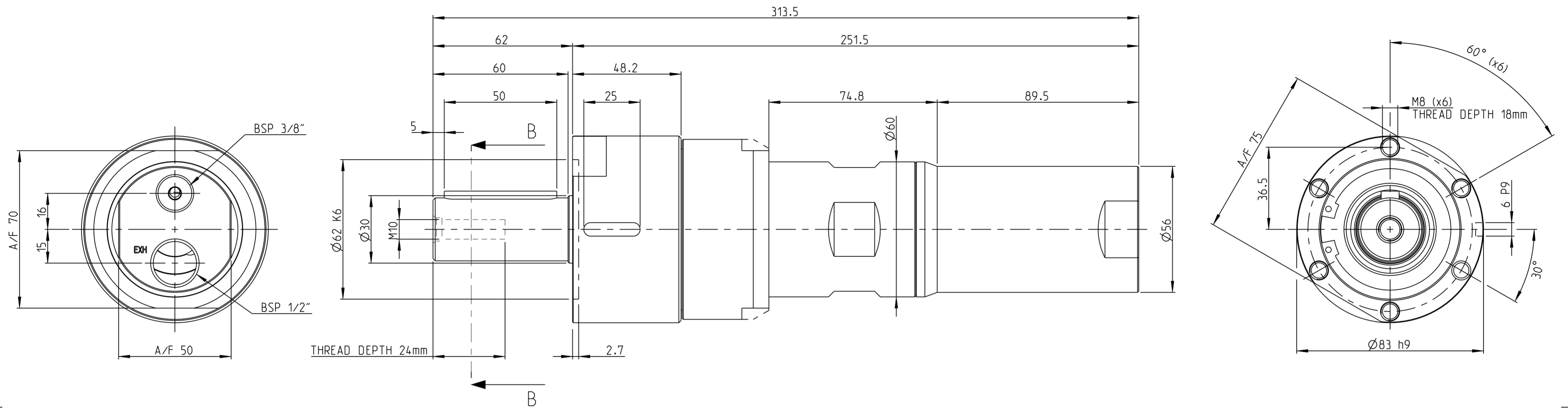


Model name	LZB54_AV_3_11	Rev. No.	0.5
Drawing name	LZB54_AV_3_11	Rev. No.	0.4



B-B

MOTOR NAME	ORDERING NO.
LZB54-L-AV0025-11	84.11 0564 79
LZB54-L-AV0017-11	84.11 0564 87
LZB54-L-AV0012-11	84.11 0564 95

This document and its content is the intellectual property of Atlas Copco Industrial Technique AB. All rights reserved. Reproduction, distribution, publication, modification and copying without prior written authorization is strictly prohibited.

Note	Pos.	Modified from	Date	Intr.
0	-	-	-	-

Tolerances, if not indicated, according to:		-		-		-		-		-	
AC-STD		-		-		-		-		-	
Name VANE MOTOR LZB54-L-AVXXX-11								LZB54-AV		Secrecy class	
Material -								1102 K/-		CAD Pro/E	
Scale 4:5		Format A2		Family -		Compare -		Drawing owner		TOO	
Drawn F GRINELL		Blank -		Replaces -		Status In Work		Designation		Sheet 1 (1)	
Transferred from -		Cons.class 1295 K/-		Rev 0		Date 2013-05-07		LZB54_AV_3_11			
Mass/Volume -											