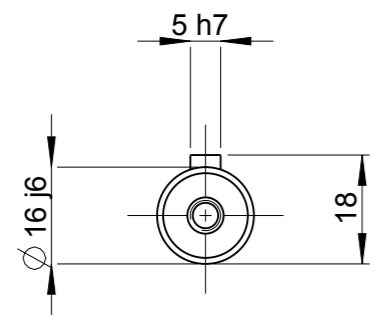
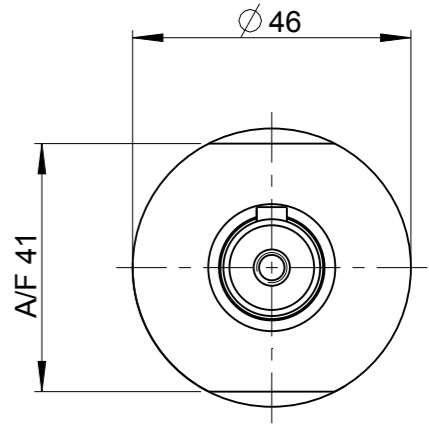
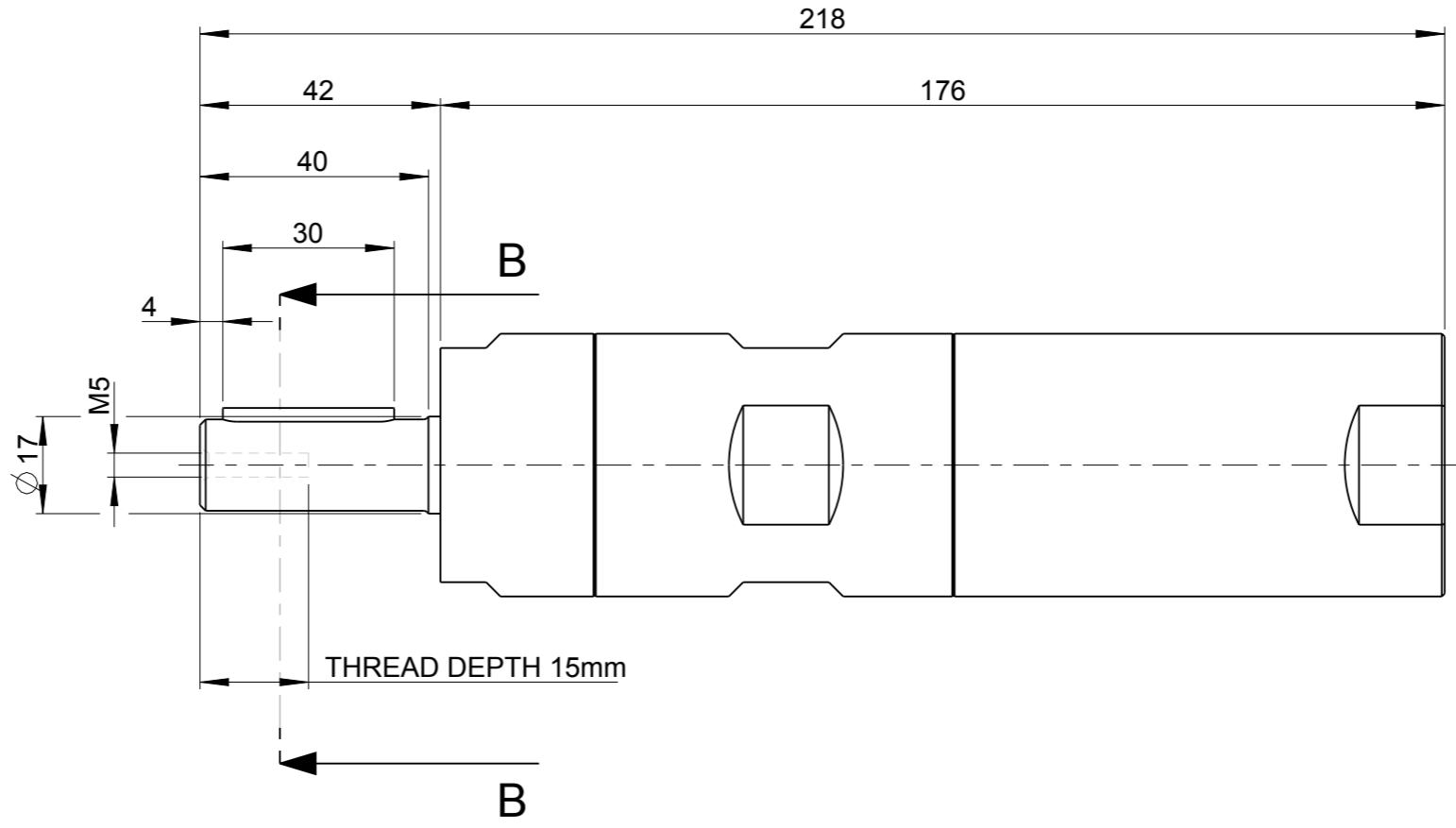
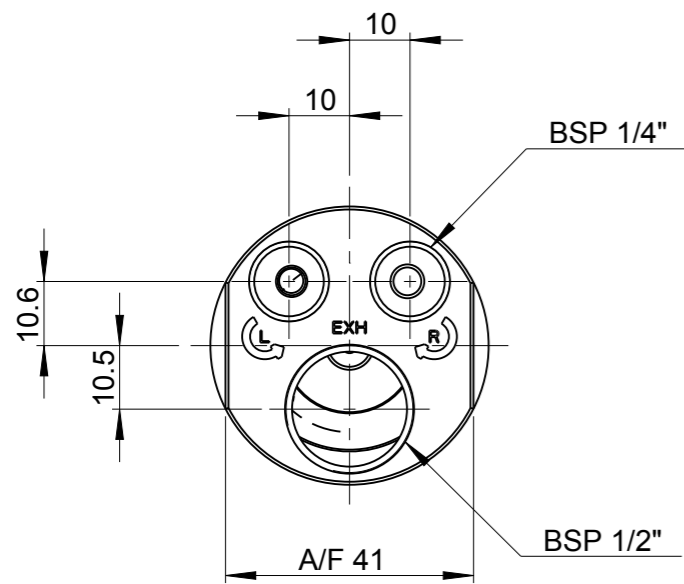


Model name	LZB46_RL_AR_1_11	Rev/Ver	0.1
Drawing name	LZB46_RL_AR_1_11	Rev/Ver	0.2



B-B

MOTOR NAME	ORDERING NO.
LZB46-RL-AR170-11	8411 0472 56
LZB46-RL-AR050-11	8411 0472 64
LZB46-RL-AR030-11	8411 0472 72
LZB46-RL-AR020-11	8411 0472 80

Tolerances, if not indicated, according to:		-	-	-	-	-
AC-STD		-	-	-	-	-
Name VANE MOTOR LZB46-RL-ARXXX-11			LZB46-RL-AR		Secrecy class	
Material -			1102 K/-			
-			CAD Pro/E		Drawing owner	
			Scale 4:5	Format A3	Family -	Compare -
Drawn F GRINELL			Blank -		Replaces -	
Transferred from -			Cons.class 1295 K/-	Rev 0	Status In Work	Designation
			Mass/Volume -	Date 2013-05-06	Sheet 1 (1)	
			LZB46_RL_AR_1_11			

Note	Pos.	Modified from	Date	Intr.
0	-	-	-	-

This document is our property and shall not without our permission be altered, copied, used for manufacturing or communicated to any other person or company.