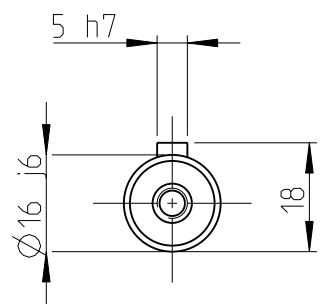
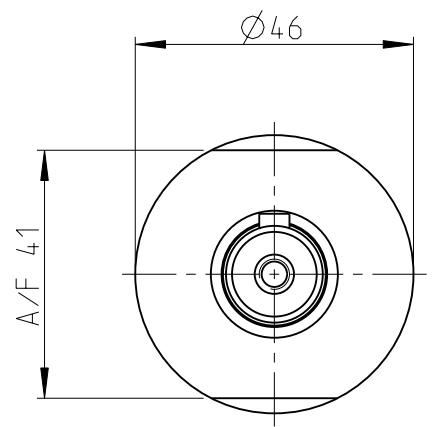
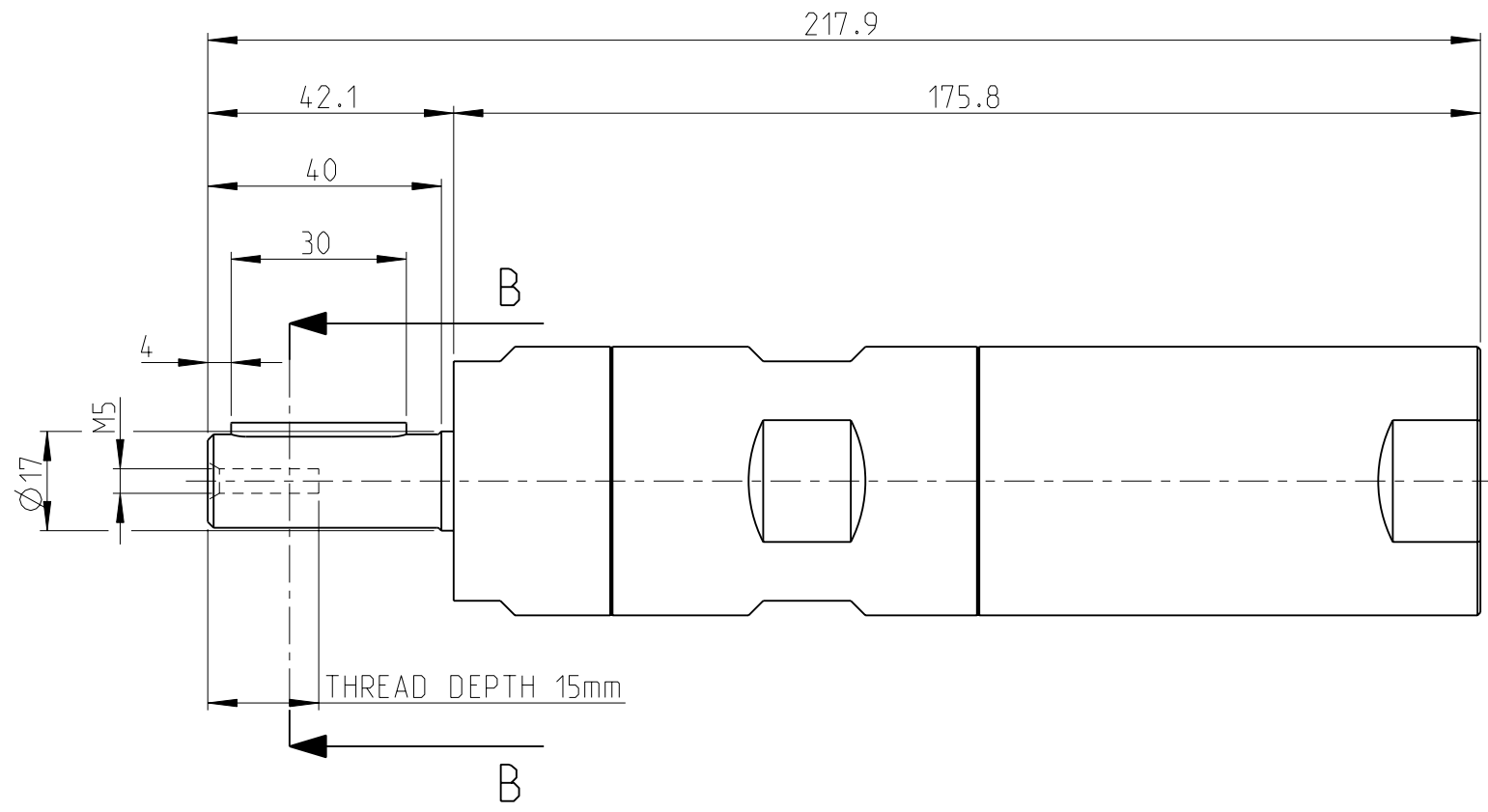
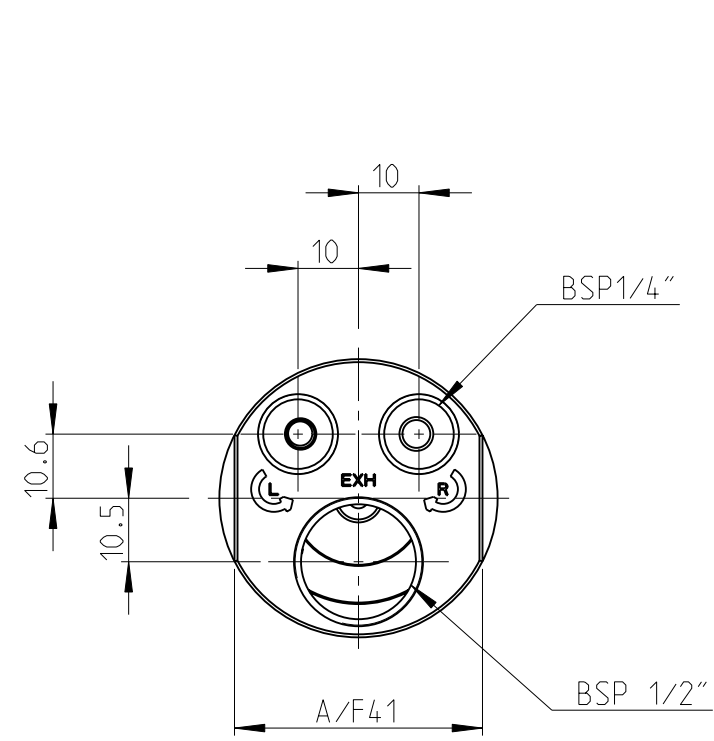


Model name	LZB46_RL_AR_2_11	Rev.Ver	0.0
Drawing name	LZB46_RL_AR_2_11	Rev.Ver	0.0



B-B

MOTOR NAME	ORDERING NO.
LZB46-RL-AR010-11	8411 0471 57
LZB46-RL-AR007-11	8411 0471 65
LZB46-RL-AR004-11	8411 0471 73

This document is our property and shall not without our permission be altered, copied, used for manufacturing or communicated to any other person or company.

Note	Pos.	Modified from	Date	Intr.
0	-	-	-	-

Tolerances, if not indicated, according to:		-	-	-	-	-
AC-STD		-	-	-	-	-
Name		VANE MOTOR LZB46-RL-ARXXX-11			LZB46-RL-AR	
Material		-			1102 K/-	
					CAD Pro/E	
Scale		4:5	Format	A3	Family	-
Drawn		F GRINELL		Blank	-	
Transferred from		Cons.class	1295 K/-	Rev	0	Status
		Mass/Volume	-	Date	2013-05-06	Design
				Designation		LZB46_RL_AR_2_11
				Drawing owner		T00
				Sheet 1 (1)		