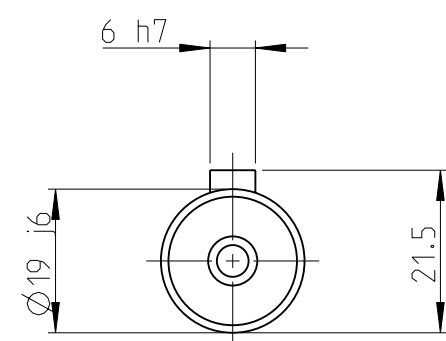
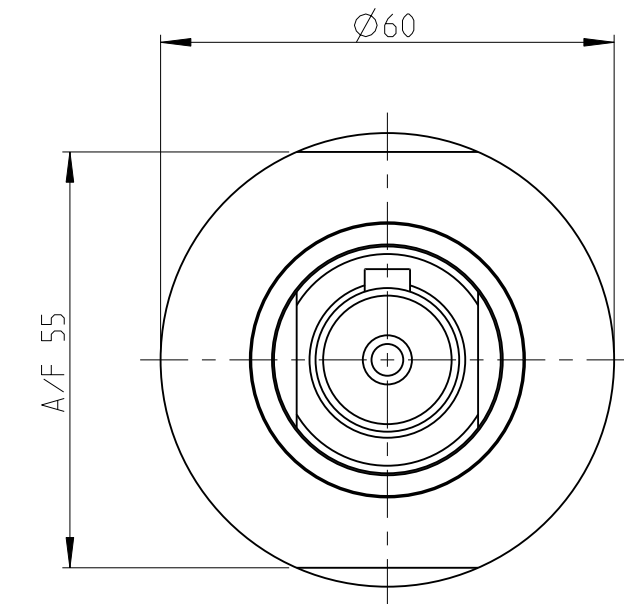
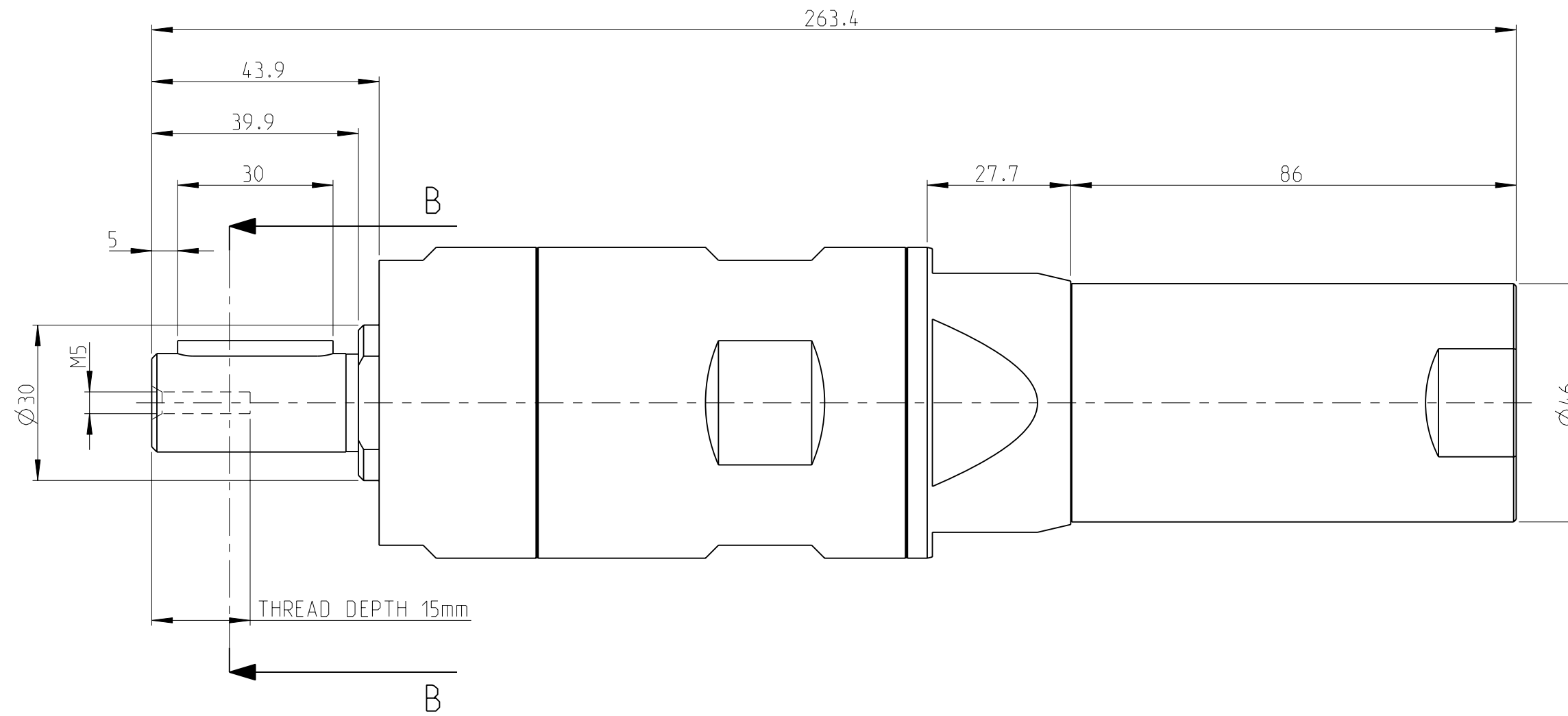
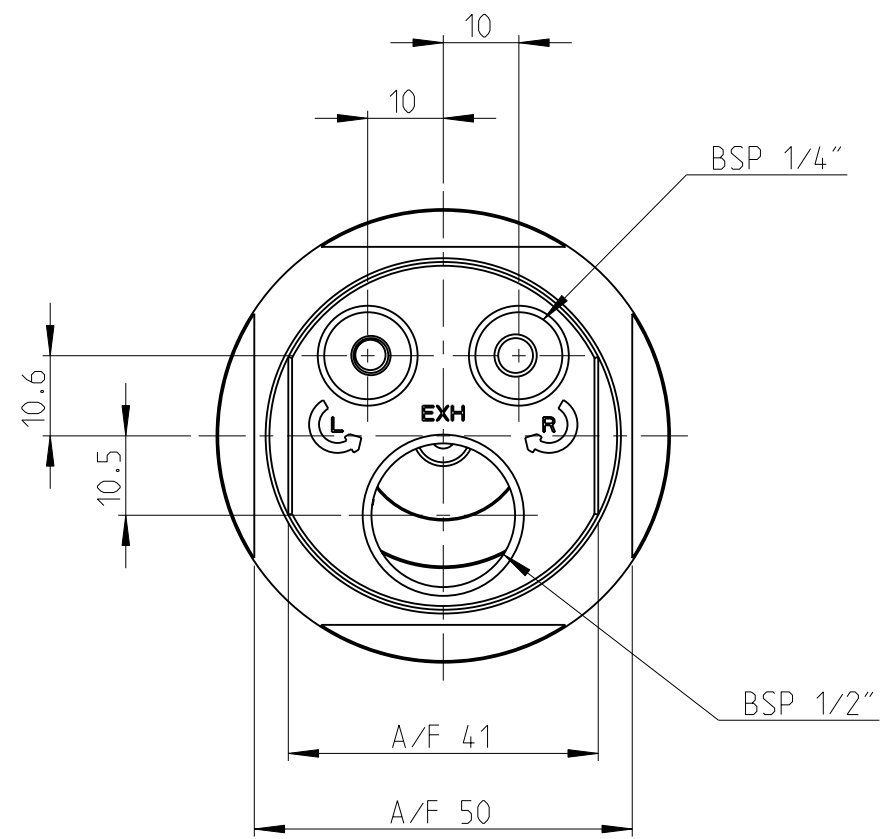


Model name LZB46_RL_AR_3_11 Rev:0.0
 Drawing name LZB46_RL_AR_3_11 Rev:0.0



B-B

MOTOR NAME	ORDERING NO.
LZB46-RL-AR0025-11	8411 0471 81
LZB46-RL-AR0015-11	8411 0471 99
LZB46-RL-AR0010-11	8411 0472 07

This document is our property and shall not without our permission be altered, copied, used for manufacturing or communicated to any other person or company.

Note	Pos.	Modified from	Date	Intr.
0	-	-	-	-

Tolerances, if not indicated, according to:		-	-	-	-	-	-	
AC-STD		-	-	-	-	-	-	
Name	VANE MOTOR LZB46-RL-ARXXX-11		LZB46-RL-AR		Secrecy class			
Material	-		1102 K/-					
-		-		CAD		Pro/E		
	Scale	1:1	Format	A2	Family	-	Compare	-
Drawn	F GRINELL		Blank	-	Replaces	-	Drawing owner	
-		-		-		TOO		
Transferred from	Cons.class	1295 K/-	Rev	0	Status	Design	Designation	LZB46_RL_AR_3_11
-		Mass/Volume	-		Date	2013-05-06	Sheet 1 (1)	