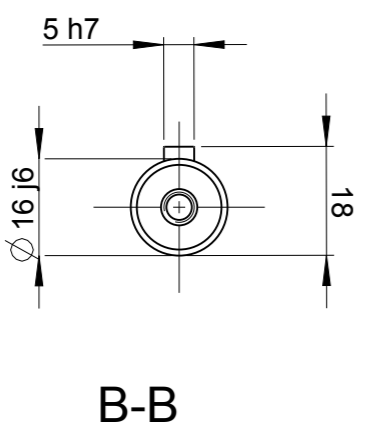
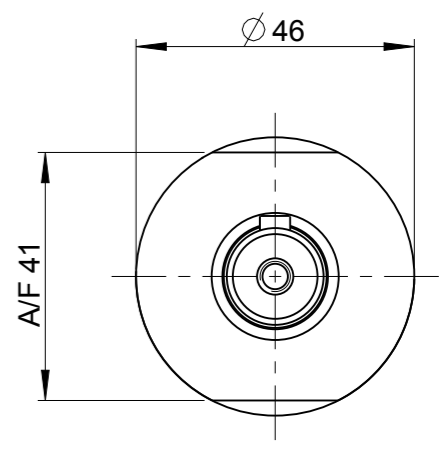
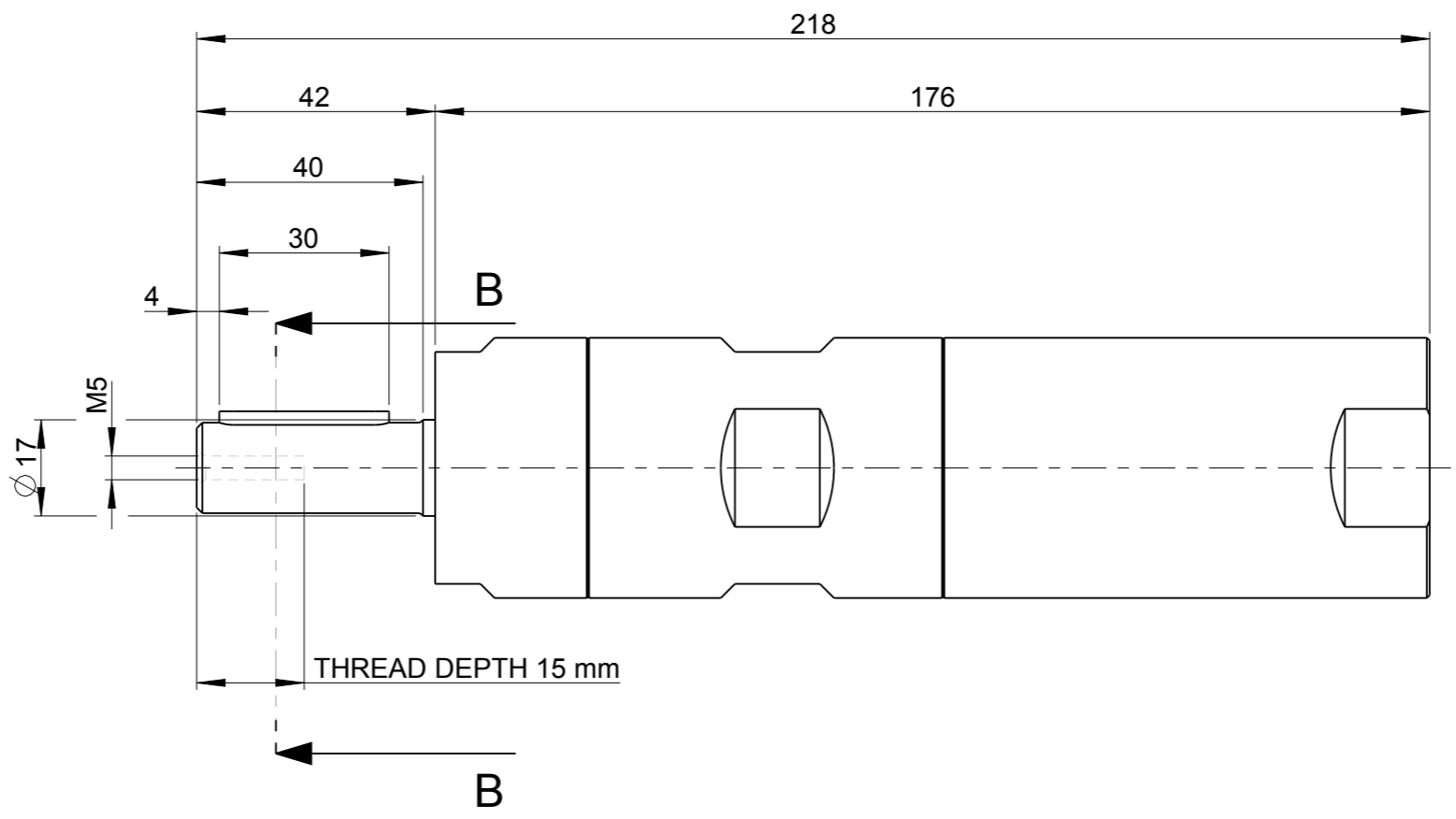
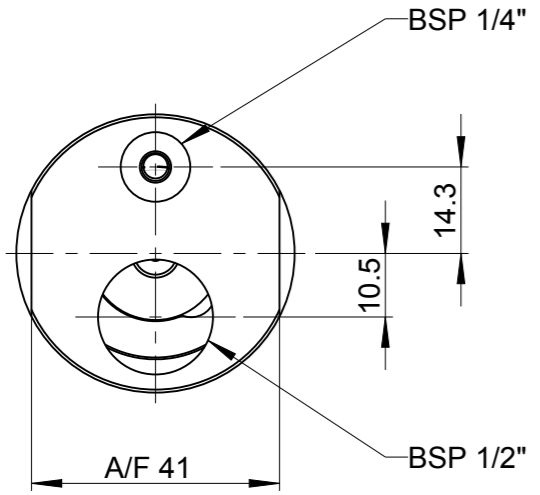


Model name: LZB46_RL_A_1_11
 Drawing name: LZB46_RL_A_1_11
 Rev/Ver: 0.3
 Rev/Ver: 0.5



MOTOR NAME	ORDERING NO.
LZB46-RL-A200-11	8411 0472 15
LZB46-RL-A065-11	8411 0472 23
LZB46-RL-A040-11	8411 0472 31
LZB46-RL-A025-11	8411 0472 49

Tolerances, if not indicated, according to:		-	-	-	-	-
AC-STD		-	-	-	-	-
Name: VANE MOTOR LZB46-RL-AXXX-11				LZB46-RL-A		Secrecy class
Material: -				1102 K/-		
-				CAD Pro/E		
		Scale: 4:5	Format: A3	Family: -	Compare: 8411 0460 09	Drawing owner: TOO
Drawn: F GRINELL		Blank: -		Replaces: -		Designation: LZB46 RL A 1 11 Sheet 1 (1)
Transferred from: -		Cons.class: 1295 K/-	Rev: 0	Status: In Work	Date: 2013-02-14	
Mass/Volume: -		Date: 2013-02-14		LZB46 RL A 1 11		

Note	Pos.	Modified from	Date	Intr.
0	-	-	-	-

This document is our property and shall not without our permission be altered, copied, used for manufacturing or communicated to any other person or company.