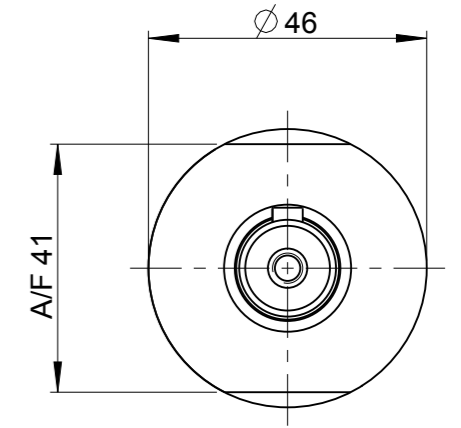
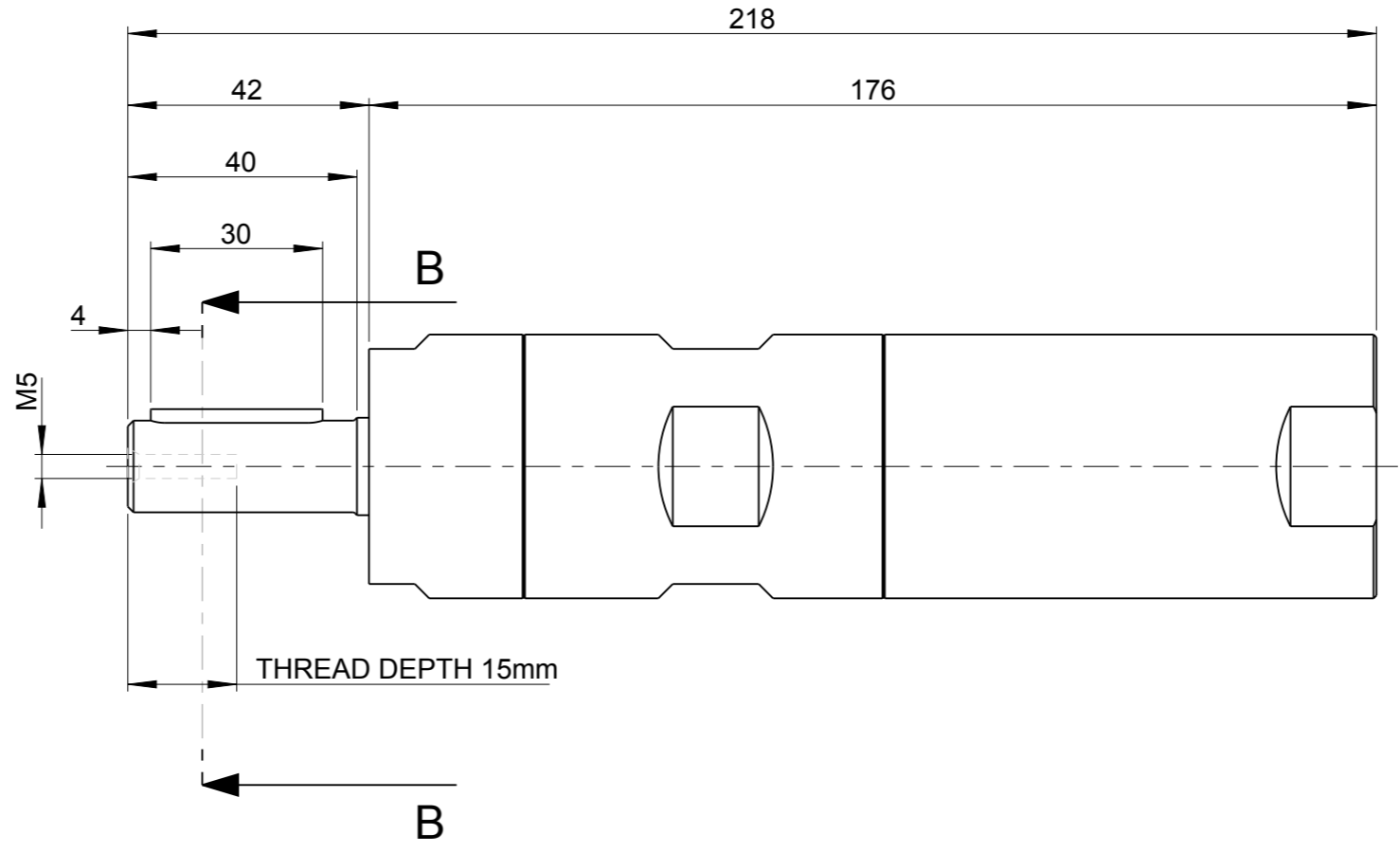
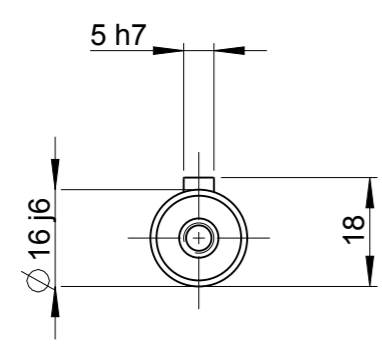
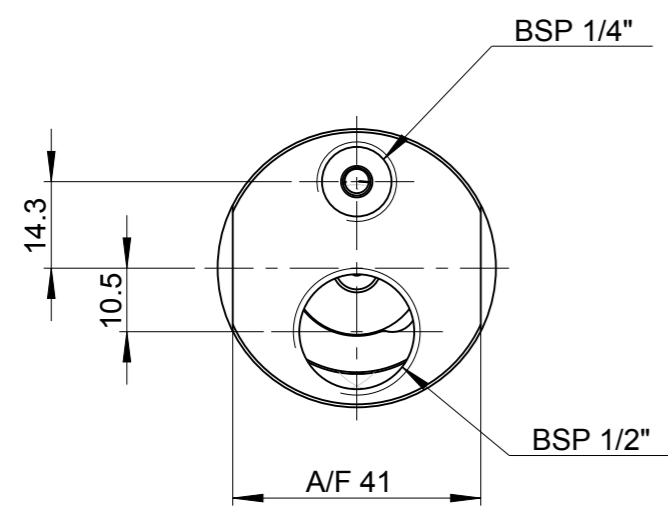


Model name	LZB46_RL_A_2_11	Rev/Ver	0:1
Drawing name	LZB46_RL_A_2_11	Rev/Ver	0:1



MOTOR NAME	ORDERING NO.
LZB46-RL-A015-11	8411 0470 82
LZB46-RL-A010-11	8411 0471 08
LZB46-RL-A005-11	8411 0471 16

B-B

This document is our property and shall not without our permission be altered, copied, used for manufacturing or communicated to any other person or company.

Note	Pos.	Modified from	Date	Intr.
0	-	-	-	-

Tolerances, if not indicated, according to:		-	-	-	-	-
AC-STD		-	-	-	-	-
Name VANE MOTOR LZB46-RL-AXXX-11				LZB46-RL-A		Secrecy class
Material -				1102 K/-		
-				CAD Pro/E		
		Scale 4:5	Format A3	Family -	Compare -	Drawing owner
Drawn F GRINELL		Blank -		Replaces -		TOO
Transferred from -		Cons.class 1295 K/-	Rev 0	Status In Work	Designation Sheet 1 (1)	
-		Mass/Volume -	Date 2013-05-06		LZB46_RL_A_2_11	