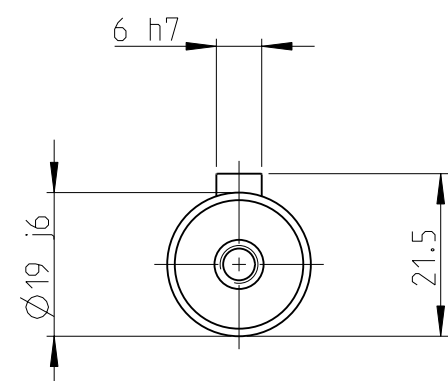
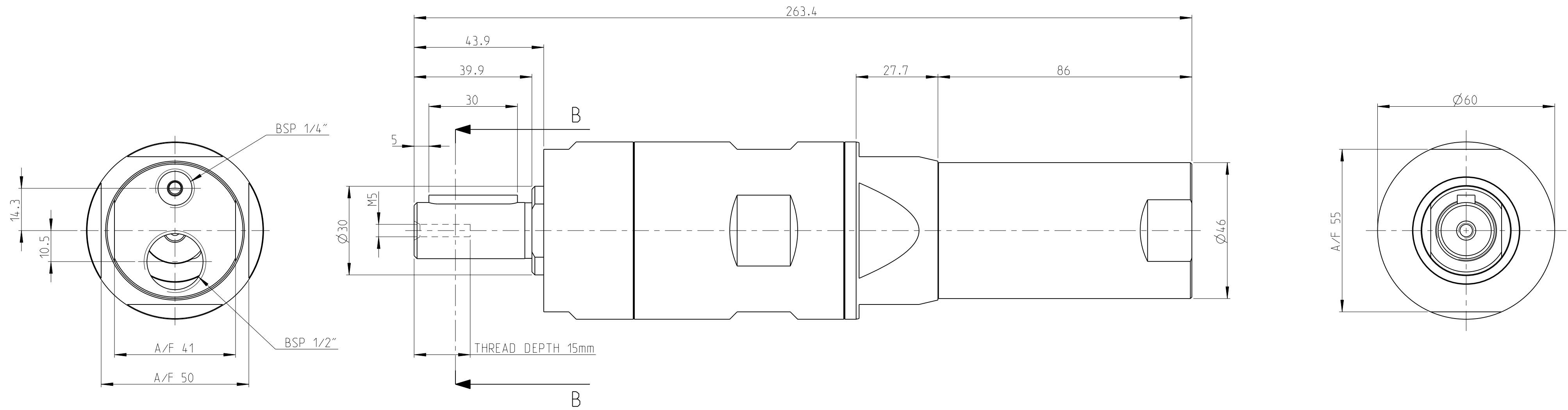


Model name LZB46_RL_A_3_11 Rev:0.0
 Drawing name LZB46_RL_A_3_11 Rev:0.0



MOTOR NAME	ORDERING NO.
LZB46-RL-A0030-11	8411 0471 24
LZB46-RL-A0020-11	8411 0471 32
LZB46-RL-A0012-11	8411 0471 40

This document is our property and shall not without our permission be altered, copied, used for manufacturing or communicated to any other person or company.

Note	Pos.	Modified from	Date	Intr.
0	-	-	-	-

Tolerances, if not indicated, according to:		AC-STD			
Name VANE MOTOR LZB46-RL-AXXX-11			LZB46-RL-A		Secretcy class
Material -			1102 K/-		
-			CAO Pro/E		
Scale 1:1		Format A2	Family -	Compare -	Drawing owner
Drawn F GRINELL		Blank -	Replaces -	TOO	
Cons.class 1295 K/-		Rev 0	Status Design	Designation	
Transferred from -		Mass/Volume -	Date 2013-05-06	LZB46_RL_A_3_11	

Sheet 1 (1)