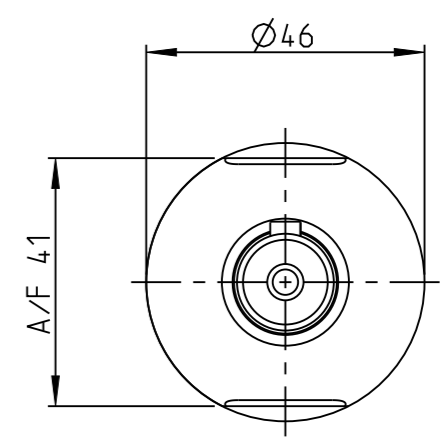
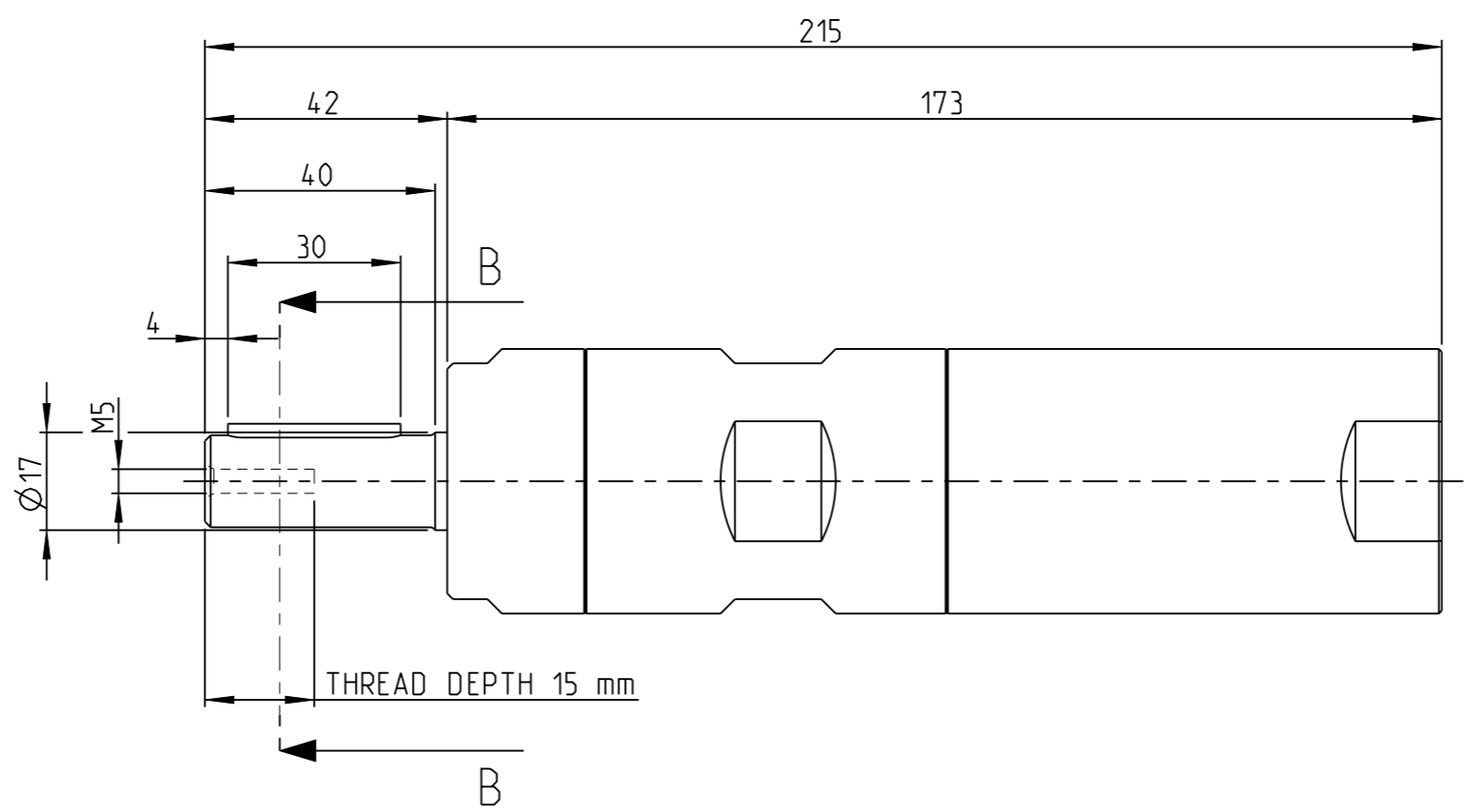
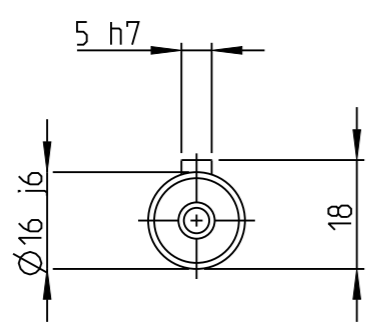
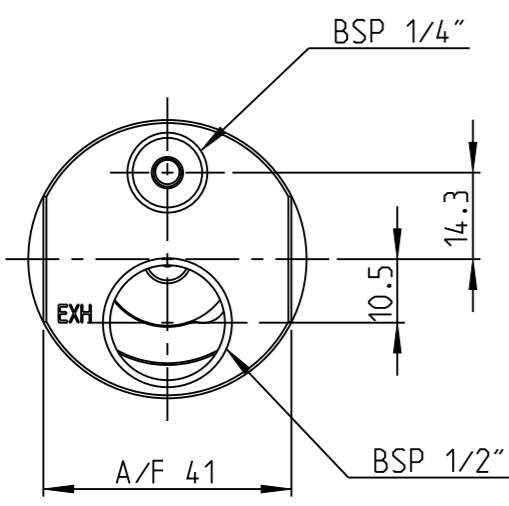


Model name LZB46_A_1_11 Rev.Ver 0.2
 Drawing name LZB46_A_1_11 Rev.Ver 0.3

This document and its content is the intellectual property of Atlas Copco Industrial Technique AB. Any use, including but not limited to reproduction, distribution, modification and copying without prior written authorization is strictly prohibited.



MOTOR NAME	ORDERING NO.
LZB46-L-A200-11	8411 0460 09
LZB46-L-A065-11	8411 0460 17
LZB46-L-A040-11	8411 0460 25
LZB46-L-A025-11	8411 0460 33

Tolerances, if not indicated, according to:		-	-	-	-	-	
AC-STD		-	-	-	-	-	
Name VANE MOTOR LZB46-L-AXXX-11					LZB46-A	Secrecy class	
Material -					1102 K/-		
					CAD Pro/E		
	Scale	4:5	Format	A3	Family	-	
	Drawn	F GRINELL		Blank	-	Compare	-
Transferred from	Cons.class	1295 K/-	Rev	0	Status	In Work	
	Mass/Volume	-	Date	2013-05-02	Designation	LZB46_A_1_11	
						Drawing owner	T00
						Sheet 1 (1)	

Note	Pos.	Modified from	Date	Intr.
0	-	-	-	-