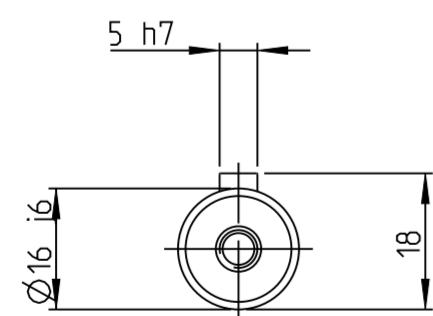
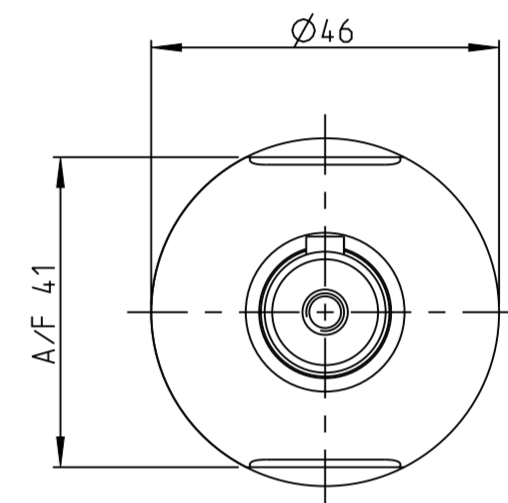
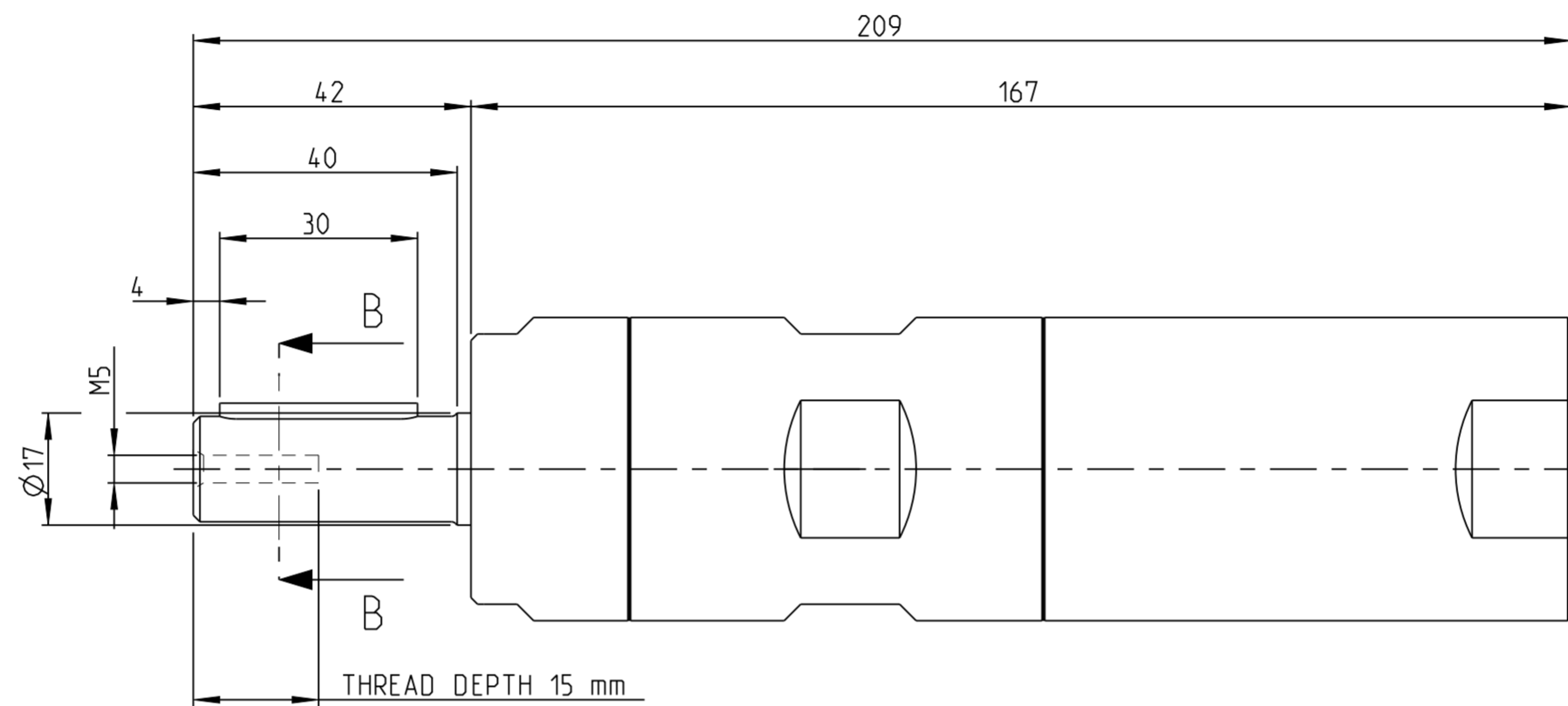
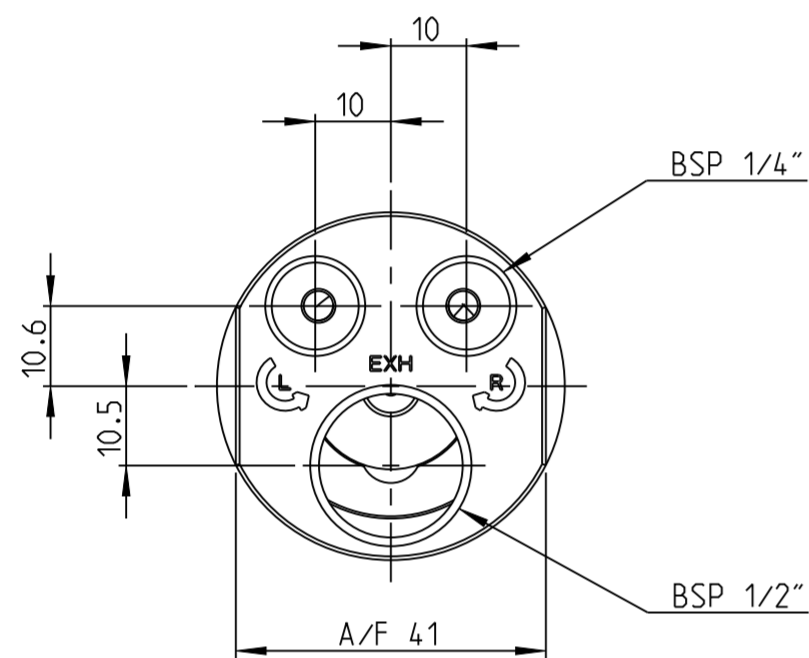


| | | |
|--------------|---------------|----------|
| Model name | LZB42_AR_1_11 | Rev: 0.0 |
| Drawing name | LZB42_AR_1_11 | Rev: 0.1 |



B-B

| MOTOR NAME | ORDERING NO. |
|------------------|--------------|
| LZB42-L-AR170-11 | 8411 0423 05 |
| LZB42-L-AR050-11 | 8411 0423 13 |
| LZB42-L-AR030-11 | 8411 0423 21 |
| LZB42-L-AR020-11 | 8411 0423 39 |

This document and its content is the intellectual property of Atlas Copco Industrial Technique AB. Any reuse, including but not limited to reproduction, distribution, publication, modification and copying without prior written authorization is strictly prohibited.

| Note | Pos. | Modified from | Date | Intr. |
|------|------|---------------|------|-------|
| 0 | - | - | - | - |

| | | | | | | | |
|---|-----------------------------|-----------|--------|------------|---------------|--------------|---------------|
| Tolerances, if not indicated, according to: | | - | - | - | - | - | |
| AC-STD | | - | - | - | - | - | |
| Name | VANE MOTOR LZB42-L-ARXXX-11 | | | LZB42-AR | Secrecy class | | |
| Material | - | | | 1102 K/- | | | |
| | - | | | CAD Pro/E | | | |
| | Scale | 1:1 | Format | A2 | Family | - | |
| | Drawn | F GRINELL | | Blank | - | Replaces | - |
| Transferred from | Cons.class | 1295 K/- | Rev | 0 | Status | In Work | |
| | Mass/Volume | - | Date | 2013-04-29 | | Designation | LZB42_AR_1_11 |
| | | | | | Compare | 8411 0420 08 | |
| | | | | | Drawing owner | TOO | |
| | | | | | Sheet 1 (1) | | |