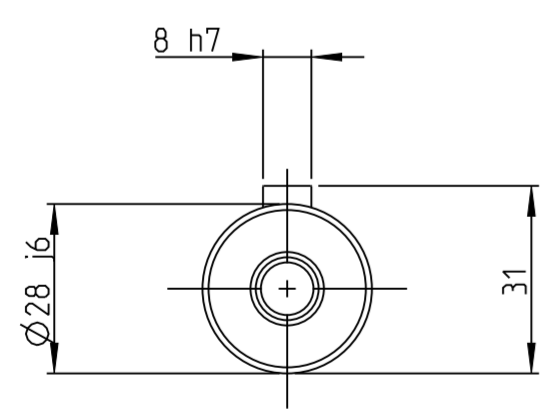
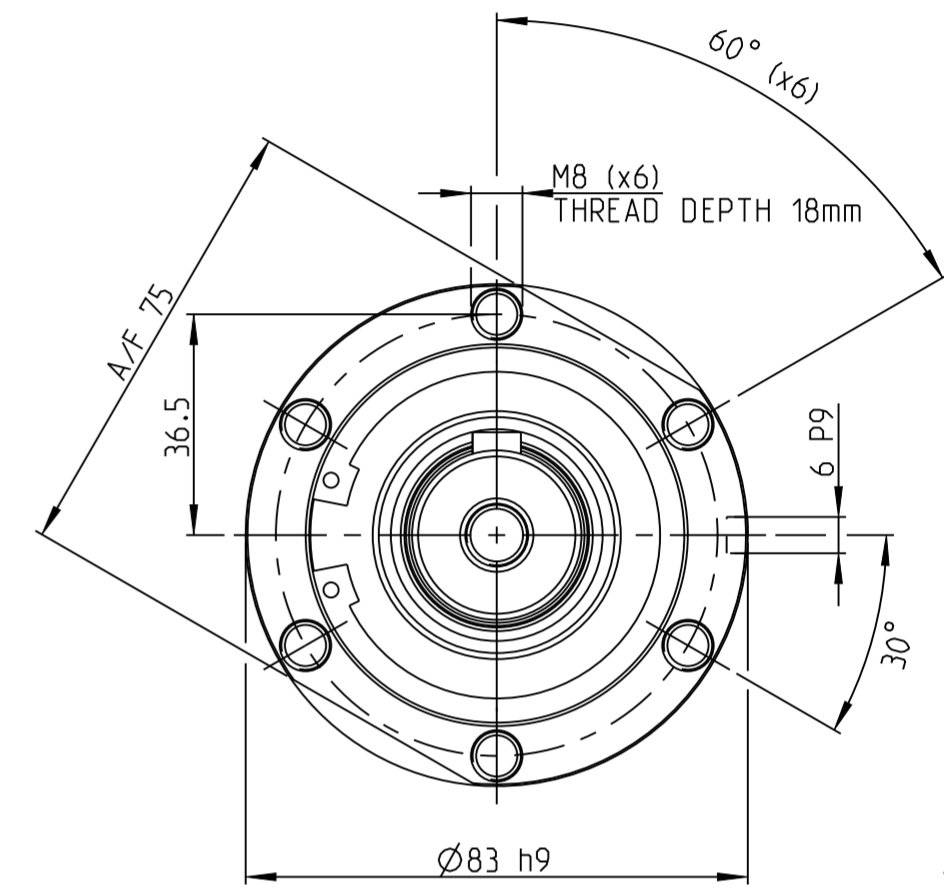
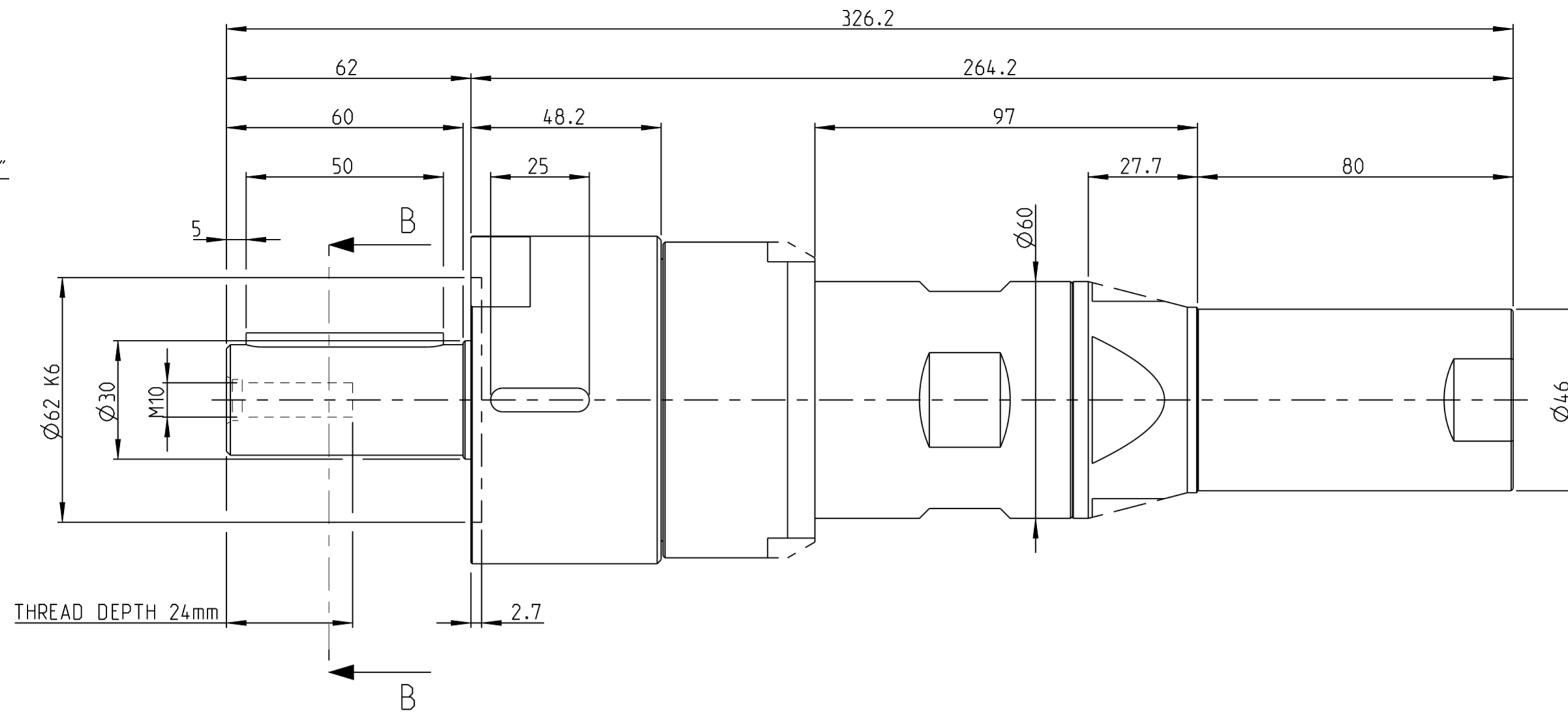
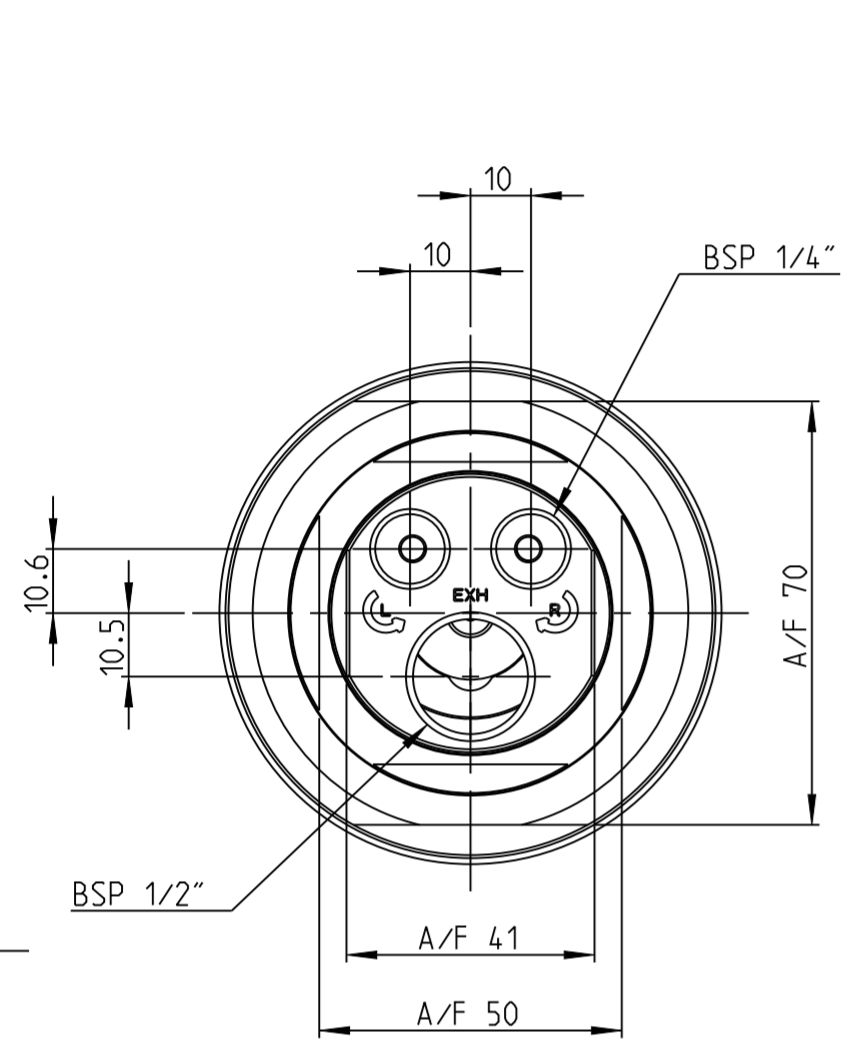


Model name LZB42_AR_4_HT_11 Rev: 0.2
 Drawing name LZB42_AR_4_HT_11 Rev: 0.2



B-B

MOTOR NAME	ORDERING NO.
LZB42-L-AR0006-11	8411 0424 04
LZB42-L-AR0004-11	8411 0424 12

This document and its content is the intellectual property of Atlas Copco Industrial Technique AB. Any use, including but not limited to reproduction, distribution, publication, modification and copying, without prior written authorization is strictly prohibited.

Note	Pos.	Modified from	Date	Intr.
0	-	-	-	-

Tolerances, if not indicated, according to:		-	-	-	-	-
AC-STD		-	-	-	-	-
Name	VANE MOTOR LZB42-L-ARXXX-11			LZB42-AR	Secrecy class	
Material	-			1102 K/-		TOO
	-			CAD Pro/E		
	Scale	4:5	Format	A2	Family	-
	Drawn	F GRINELL		Blank	-	Compare
Transferred from	Cons.class	1295 K/-	Rev	0	Status	In Work
	Mass/Volume	-	Date	2013-05-02	Designation	LZB42_AR_4_HT_11

Sheet 1 (1)