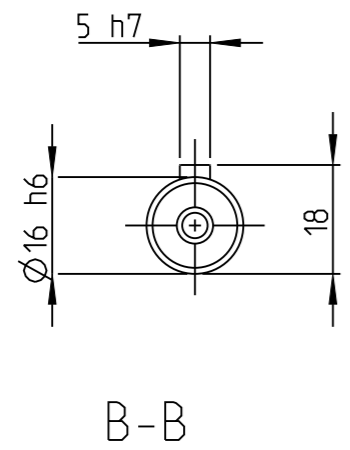
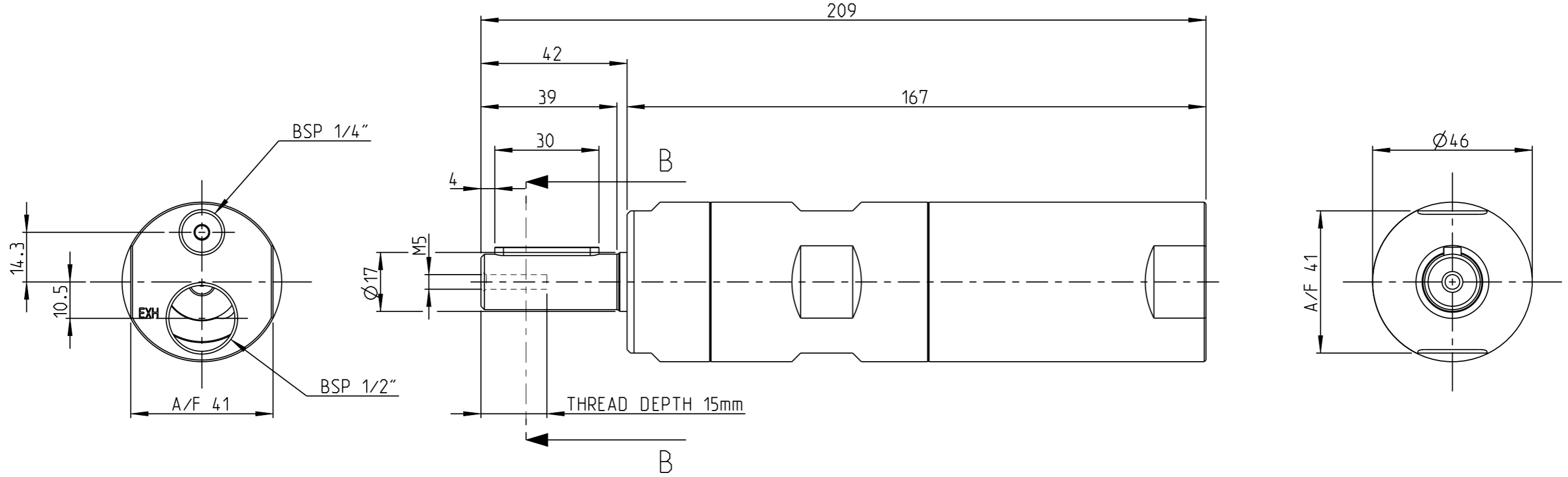


Model name LZB42_A_1_11 Rev.Ver 0.4
 Drawing name LZB42_A_1_11 Rev.Ver 0.4

This document and its content is the intellectual property of Atlas Copco Industrial Technique AB. Any use, including but not limited to reproduction, distribution, publication, modification and copying without prior written authorization is strictly prohibited.



MOTOR NAME	ORDERING NO.
LZB42-L-A200-11	8411 0420 08
LZB42-L-A065-11	8411 0420 16
LZB42-L-A040-11	8411 0420 24
LZB42-L-A025-11	8411 0420 32

Tolerances, if not indicated, according to:		-	-	-	-	-	
AC-STD		-	-	-	-	-	
Name VANE MOTOR LZB42-L-AXXX-11					LZB42-A	Secrecy class	
Material -					1102 K/-		
					CAD Pro/E		
	Scale	4:5	Format	A3	Family	-	
	Drawn	F GRINELL		Blank	-	Compare	-
Transferred from	Cons.class	1295 K/-	Rev	0	Status	In Work	
	Mass/Volume	-	Date	2013-04-29		Designation	LZB42_A_1_11
						Drawing owner	TOO
						Sheet 1 (1)	

Note	Pos.	Modified from	Date	Intr.
0	-	-	-	-

A
B
C
D
E
F
G