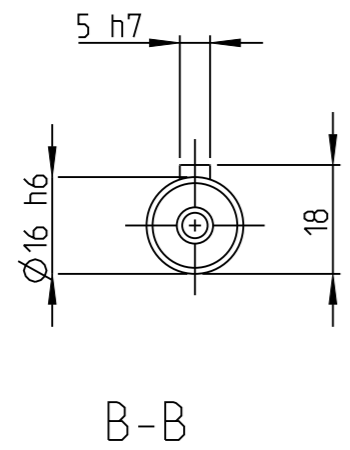
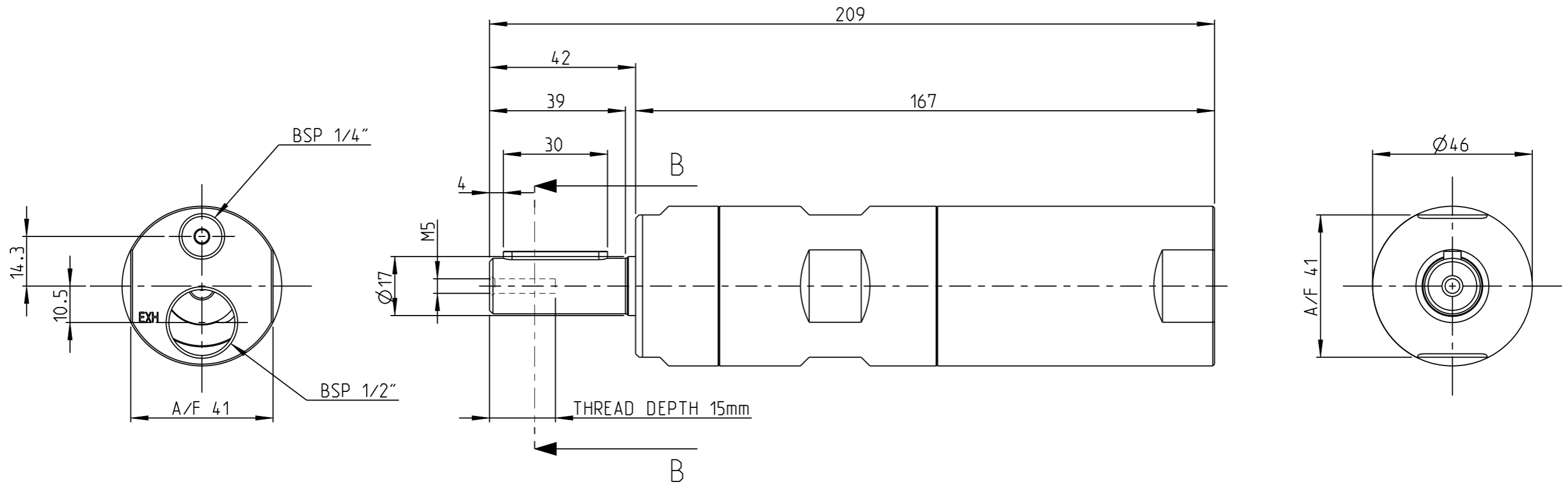


Model name	LZB42_A_2_11	Rev.Ver	0.5
Drawing name	LZB42_A_2_11	Rev.Ver	0.6



MOTOR NAME	ORDERING NO.
LZB42-L-A015-11	8411 0420 40
LZB42-L-A010-11	8411 0420 57
LZB42-L-A005-11	8411 0420 65

This document and its content is the intellectual property of Atlas Copco Industrial Technique AB. Any use, including but not limited to reproduction, distribution, publication, modification and copying without prior written authorization is strictly prohibited.

Note	Pos.	Modified from	Date	Intr.
0	-	-	-	-

Tolerances, if not indicated, according to:					-	-	-	-	-
AC-STD					-	-	-	-	-
Name VANE MOTOR LZB42-L-AXXX-11							LZB42-A		Secrecy class
Material -							1102 K/-		
							CAD Pro/E		
	Scale	4:5	Format	A3	Family	-	Compare	-	Drawing owner
	Drawn	F GRINELL		Blank	-	Replaces	-	TOO	
Transferred from	Cons.class	1295 K/-	Rev	0	Status	In Work	Designation		LZB42_A_2_11
	Mass/Volume	-		Date	2013-04-29				