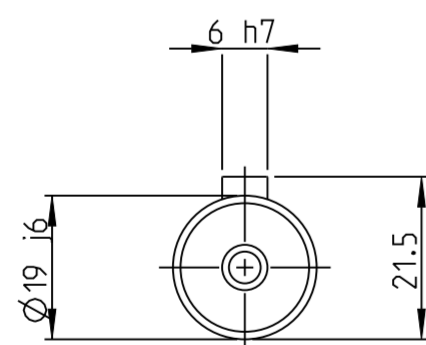
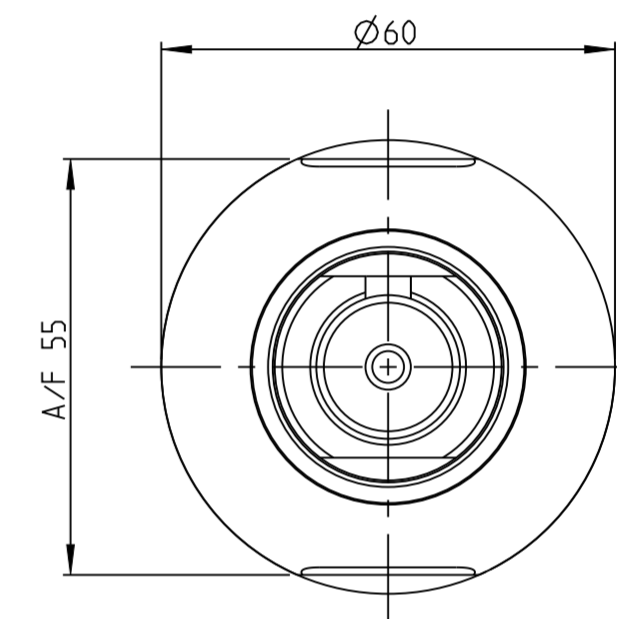
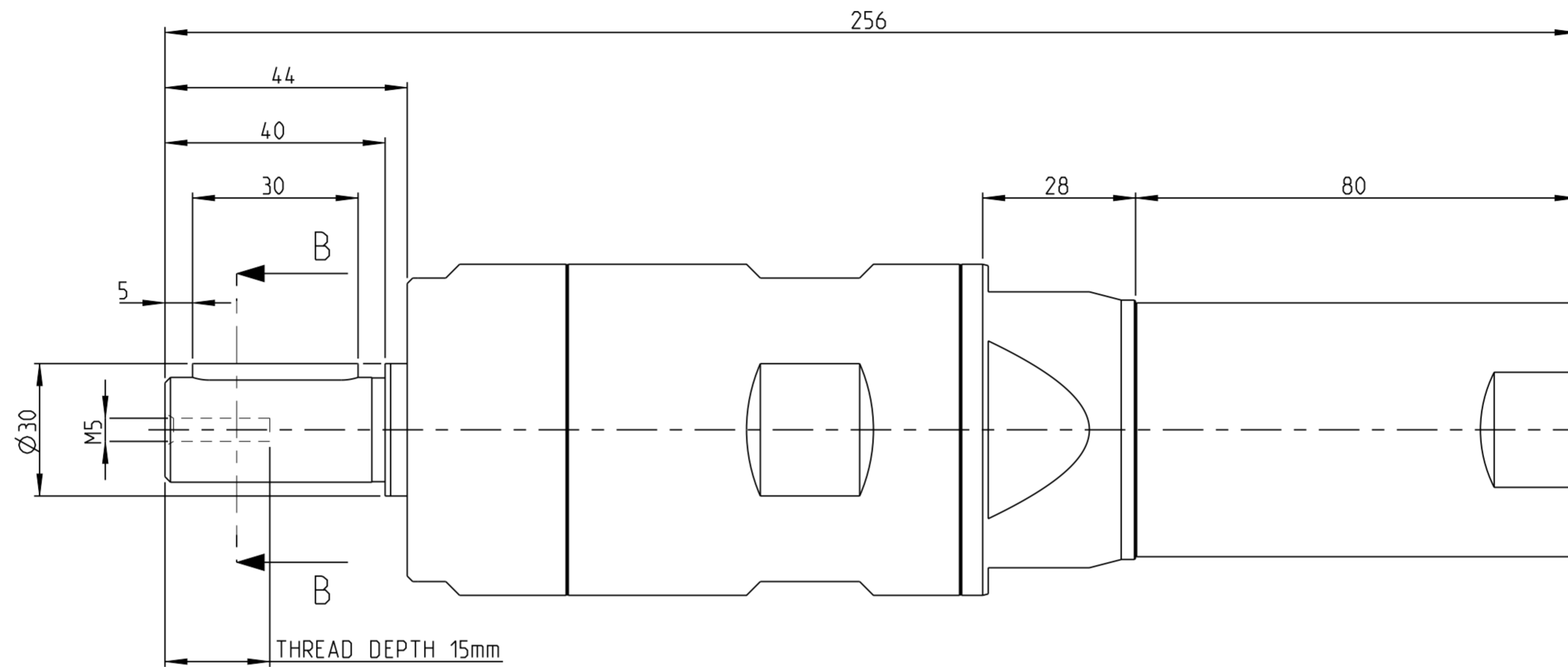
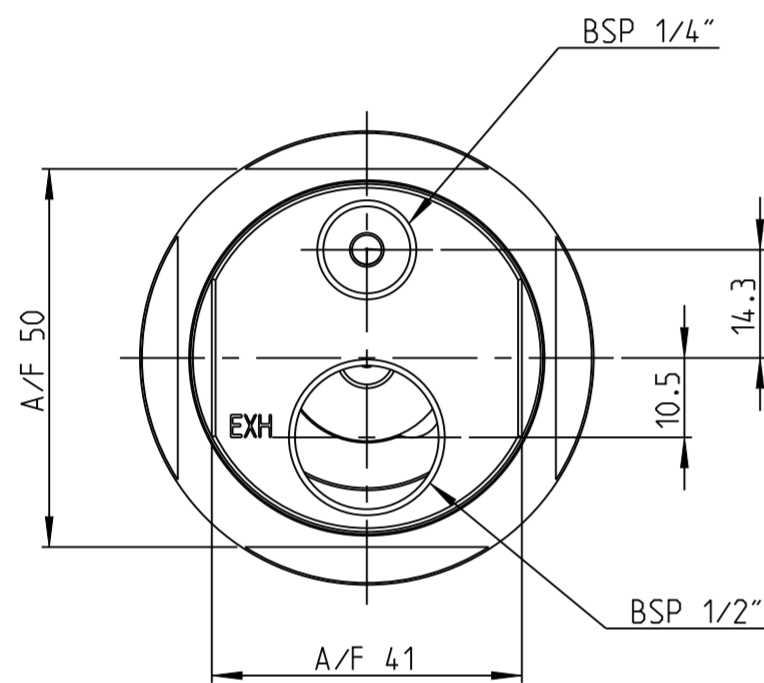


Model name	LZB42_A_3_11	Rev. No.	0.2
Drawing name	LZB42_A_3_11	Rev. No.	0.3



B-B

MOTOR NAME	ORDERING NO.
LZB42-L-A0030-11	8411 0420 73
LZB42-L-A0020-11	8411 0420 81
LZB42-L-A0012-11	8411 0420 99

This document and its content is the intellectual property of Atlas Copco Industrial Technique AB. Any use, including but not limited to reproduction, distribution, publication, modification and copying without prior written authorization is strictly prohibited.

Note	Pos.	Modified from	Date	Intr.
0	-	-	-	-

Tolerances, if not indicated, according to:		-		-		-		-		-	
AC-STD		-		-		-		-		-	
Name VANE MOTOR LZB42-L-AXXX-11								LZB42-A		Secrecy class	
Material -								1102 K/-			
-								CAD		Pro/E	
		Scale 1:1		Format A2		Family -		Compare -		Drawing owner	
-		Drawn F GRINELL		Blank -		Replaces -		-		TOO	
Transferred from		Cons.class 1295 K/-		Rev 0		Status In Work		Designation		Sheet 1 (1)	
-		Mass/Volume -		Date 2013-04-29		LZB42_A_3_11		-		-	