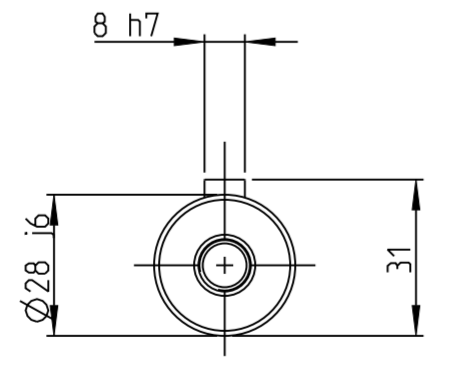
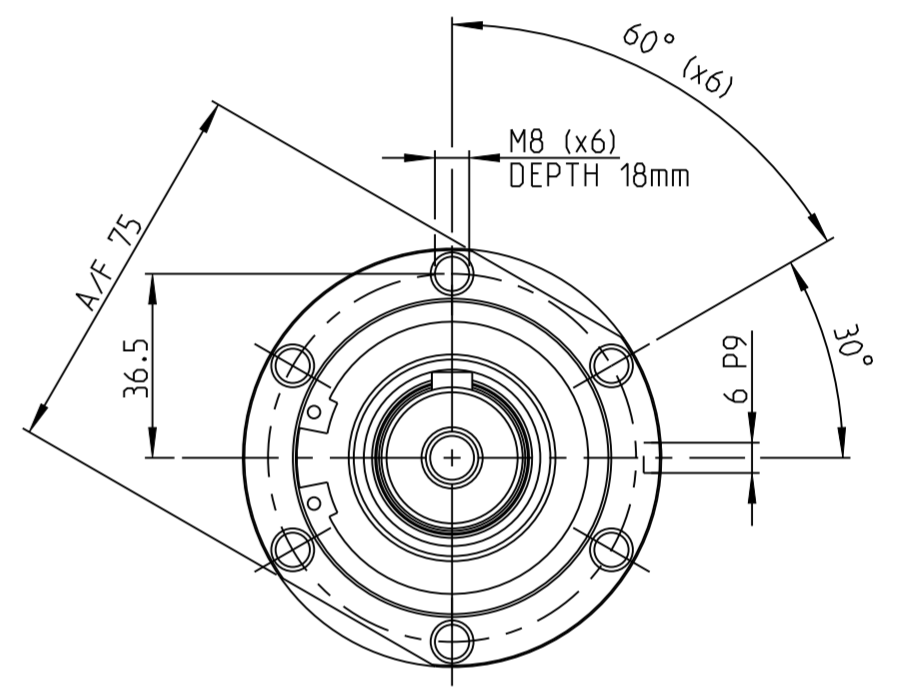
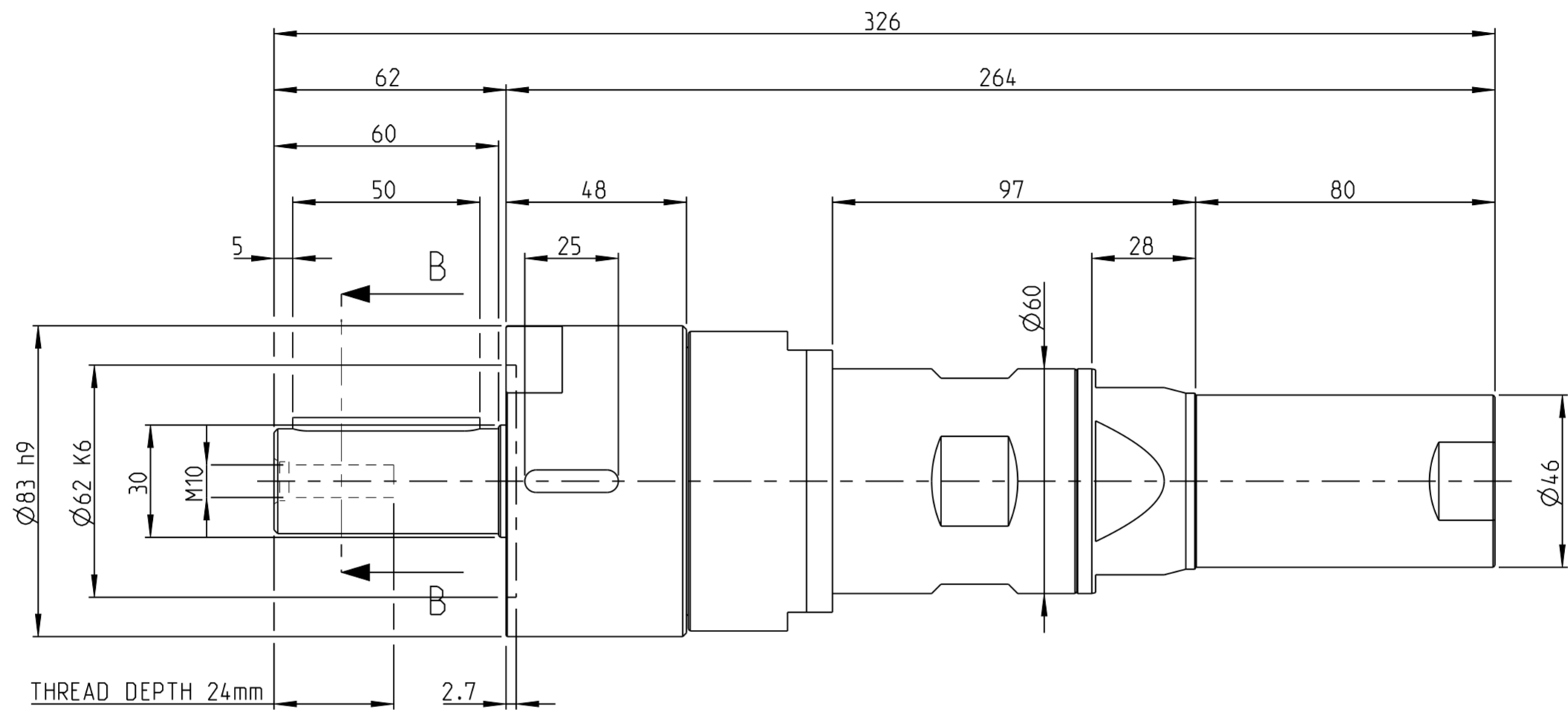
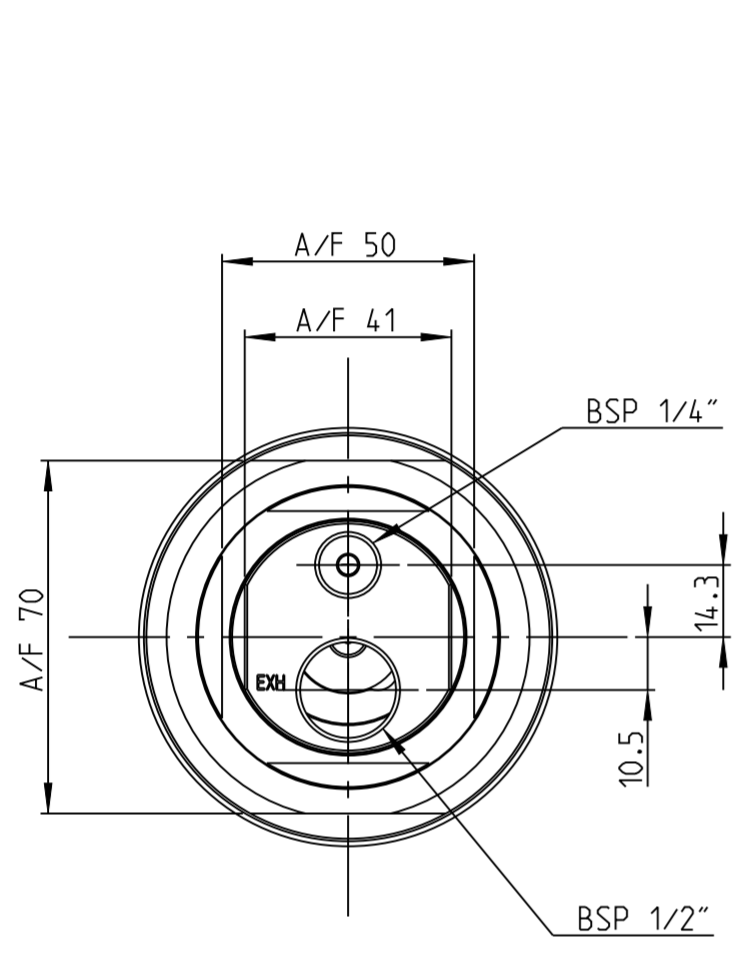


Model name	LZB42_A_4_HT_11	Rev: 0.2
Drawing name	LZB42_A_4_HT_11	Rev: 0.3



B-B

MOTOR NAME	ORDERING NO.
LZB42-L-A0008-11	8411 0421 07
LZB42-L-A0005-11	8411 0421 15

This document and its content is the intellectual property of Atlas Copco Industrial Technique AB. Any use, including but not limited to reproduction, distribution, publication, modification and copying, without prior written authorization is strictly prohibited.

Note	Pos.	Modified from	Date	Intr.
0	-	-	-	-

Tolerances, if not indicated, according to:		-	-	-	-	-
AC-STD		-	-	-	-	-
Name		VANE MOTOR LZB42-L-AXXX-11			LZB42-A	Secrecy class
Material		-			1102 K/-	
					CAD Pro/E	
Scale		2:3	Format	A2	Family	-
Drawn		F GRINELL		Blank	-	Replaces
Cons.class		1295 K/-	Rev	0	Status	In Work
Transferred from		-		Date	2013-04-29	Designation
Mass/Volume		-		LZB42_A_4_HT_11		
						Drawing owner
						TOO
						Sheet 1 (1)