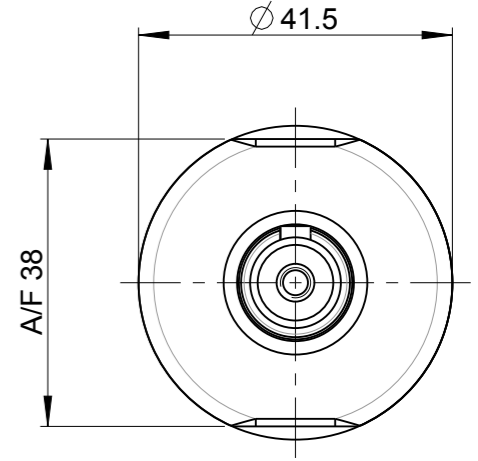
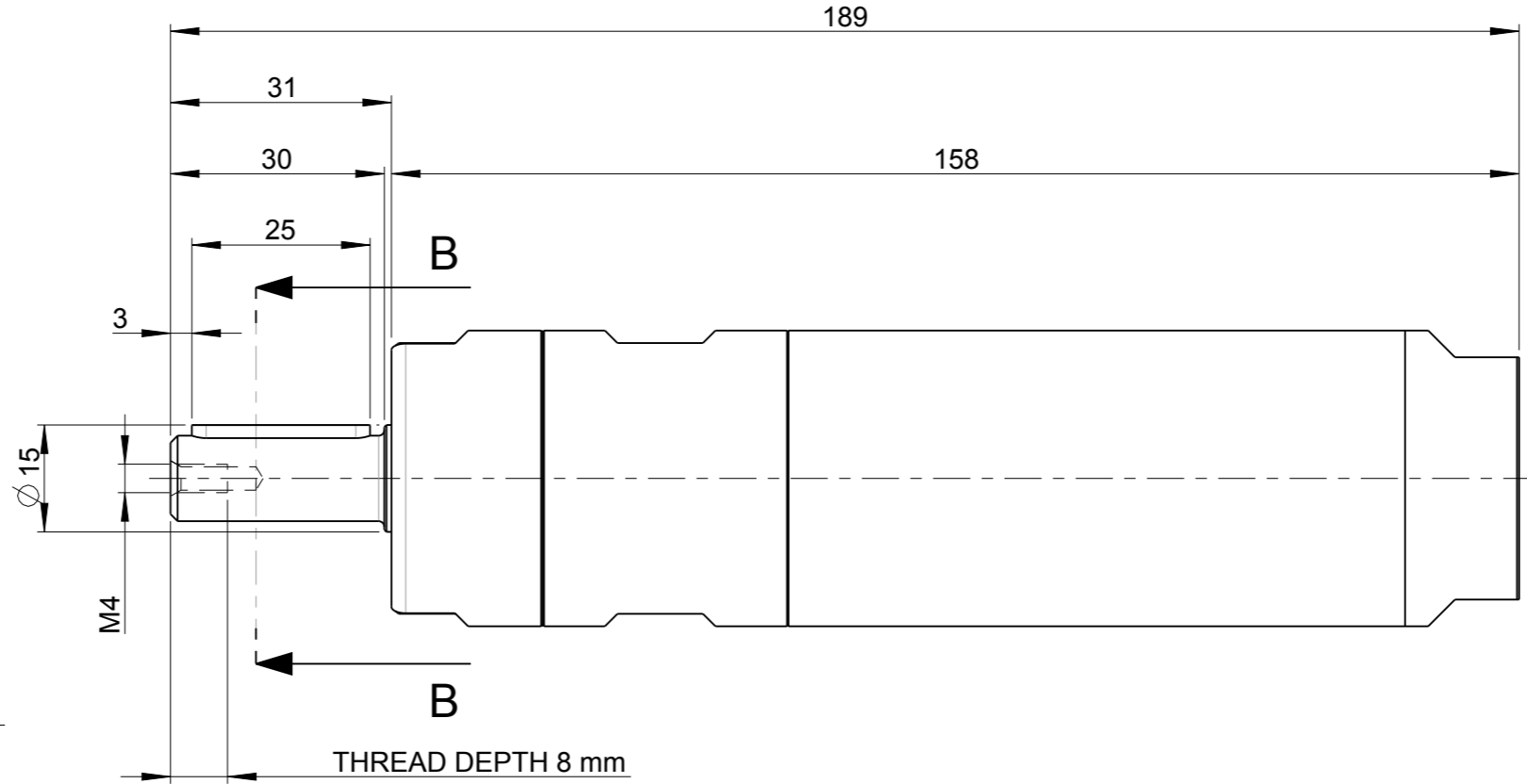
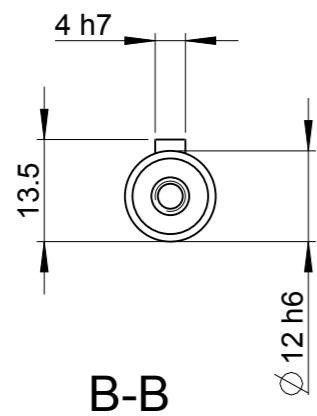
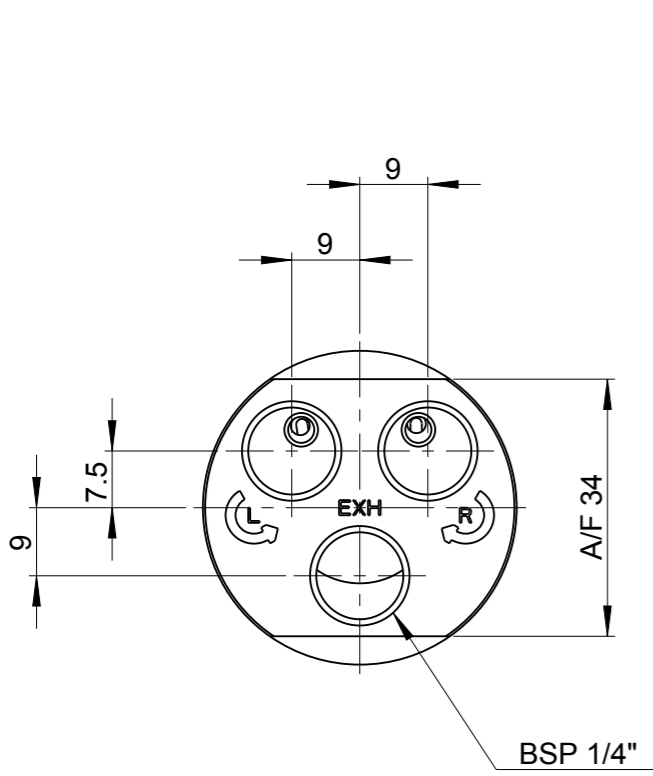


Model name	LZB34_RL_AR_2_11	Rev/Ver	0.2
Drawing name	LZB34_RL_AR_2_11	Rev/Ver	0.3



MOTOR NAME	ORDERING NO.
LZB33-RL-AR009-11	8411 0339 57
LZB33-RL-AR005-11	8411 0339 65
LZB33-RL-AR004-11	8411 0339 73

This document is our property and shall not without our permission be altered, copied, used for manufacturing or communicated to any other person or company.

Note	Pos.	Modified from	Date	Intr.
0	-	-	-	-

Tolerances, if not indicated, according to:		-	-	-	-	-
AC-STD		-	-	-	-	-
Name VANE MOTOR LZB34-RL-ARXXX-11			LZB34-RL-AR		Secrecy class	
Material STAINLESS STEEL/LUBRICATION FREE			1102 K/-			
-			CAD Pro/E		Drawing owner	
			Scale 1:1	Format A3	Family -	Compare -
Drawn F GRINELL			Blank -		Replaces -	
Transferred from -			Cons.class 1295 K/-	Rev 0	Status In Work	Designation LZB34_RL_AR_2_11
			Mass/Volume -	Date 2013-04-22	Sheet 1 (1)	

TOO

LZB34_RL_AR_2_11