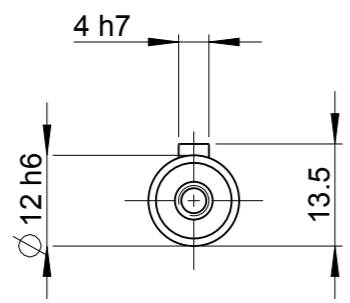
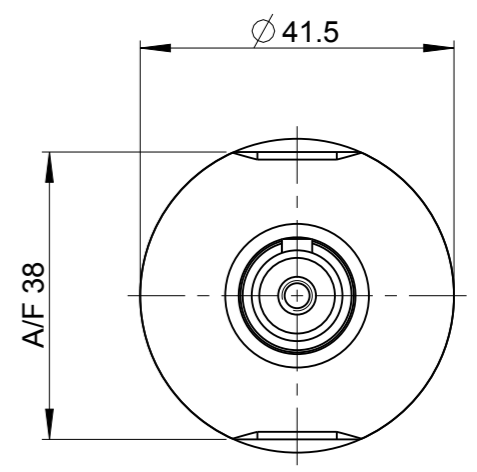
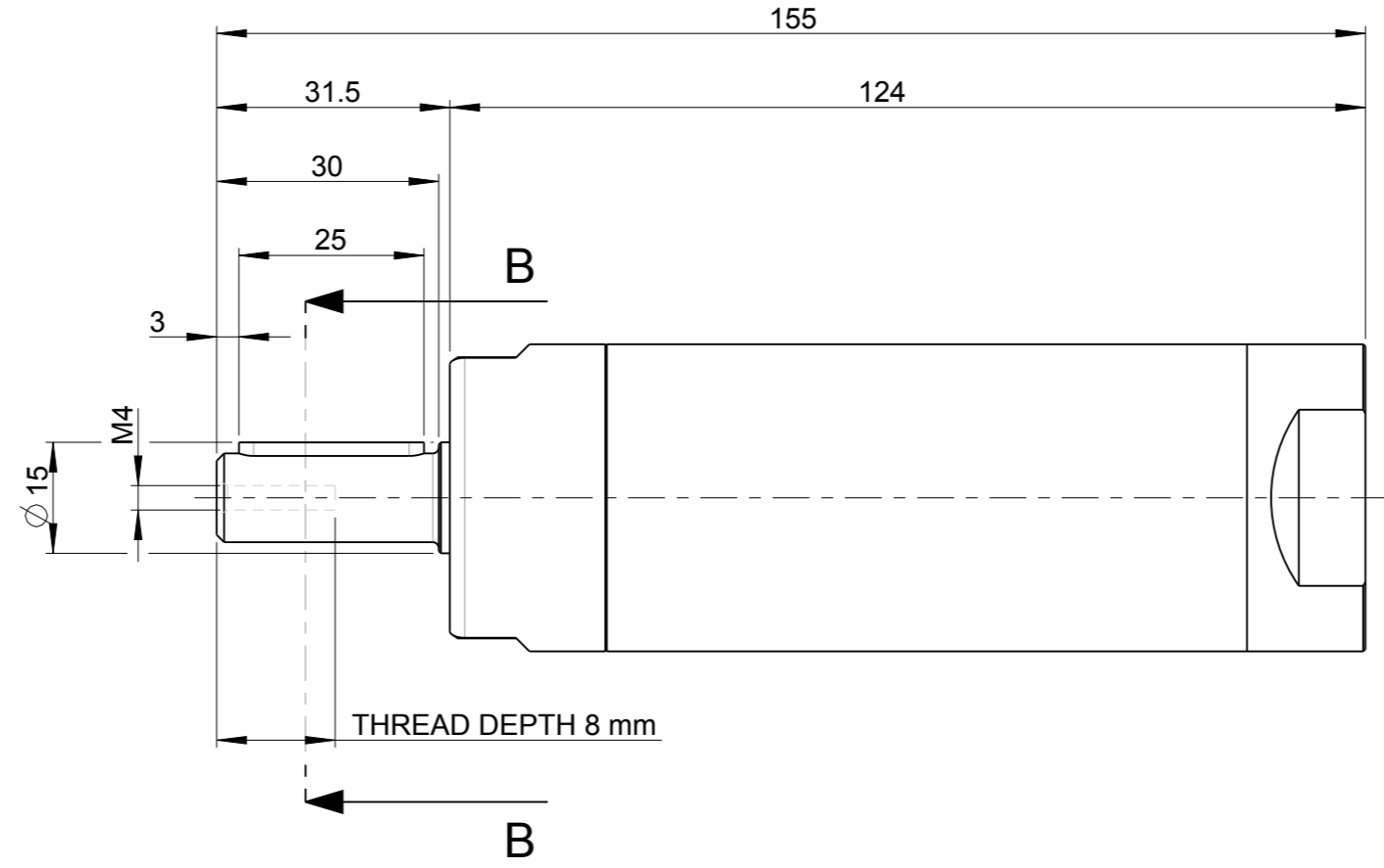
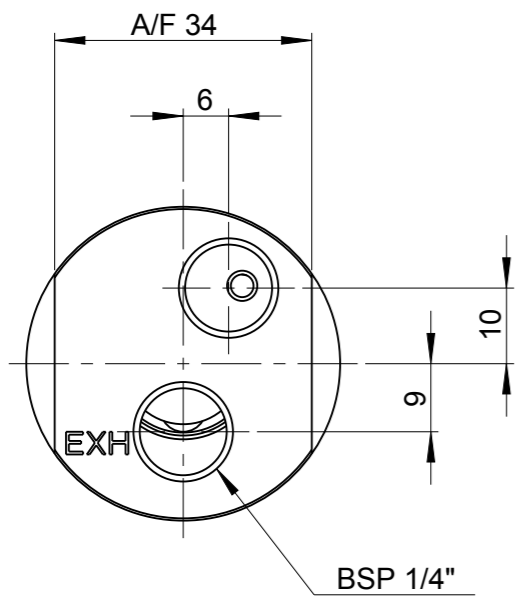


Model name	LZB34_RL_A_1_11	Rev/Ver	0.3
Drawing name	LZB34_RL_A_1_11	Rev/Ver	0.5



MOTOR NAME	ORDERING NO.
LZB33-RL-A210-11	8411 0338 41
LZB33-RL-A060-11	8411 0338 58
LZB33-RL-A033-11	8411 0338 66
LZB33-RL-A026-11	8411 0338 74

B-B

This document is our property and shall not without our permission be altered, copied, used for manufacturing or communicated to any other person or company.

Note	Pos.	Modified from	Date	Intr.
0	-	-	-	-

Tolerances, if not indicated, according to:		-	-	-	-	-
AC-STD		-	-	-	-	-
Name		VANE MOTOR LZB34-RL-AXXX-11			LZB34-RL-A	
Material		STAINLESS STEEL/LUBRICATION FREE			1102 K/-	
					CAD Pro/E	
Scale		1:1	Format	A3	Family	-
Drawn		F GRINELL		Blank	-	
Cons.class		1295 K/-	Rev	0	Status	In Work
Transferred from				Designation	LZB34 RL A 1 11	
Mass/Volume				Date	2013-04-19	
				Drawing owner		
				TOO		
				Sheet 1 (1)		