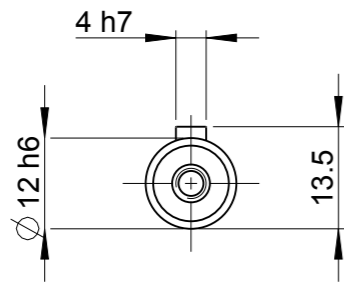
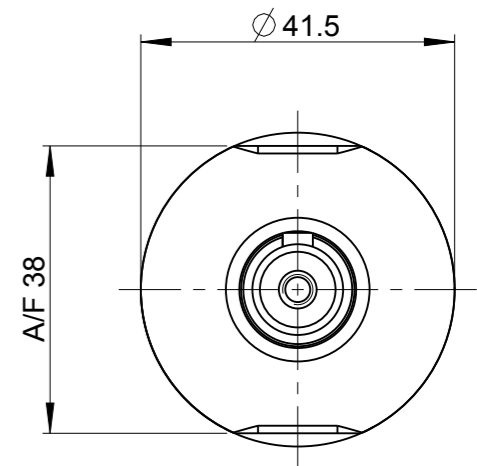
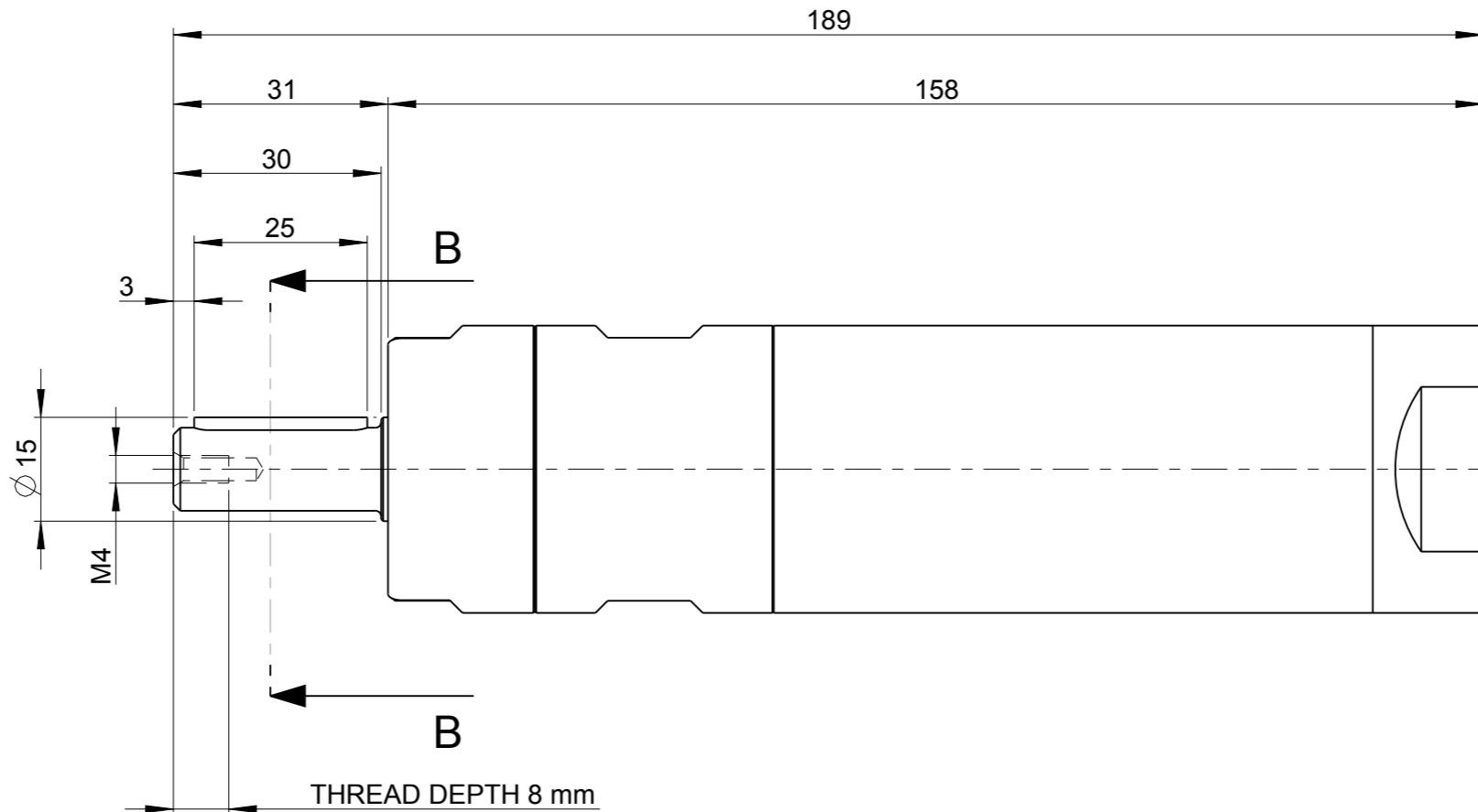
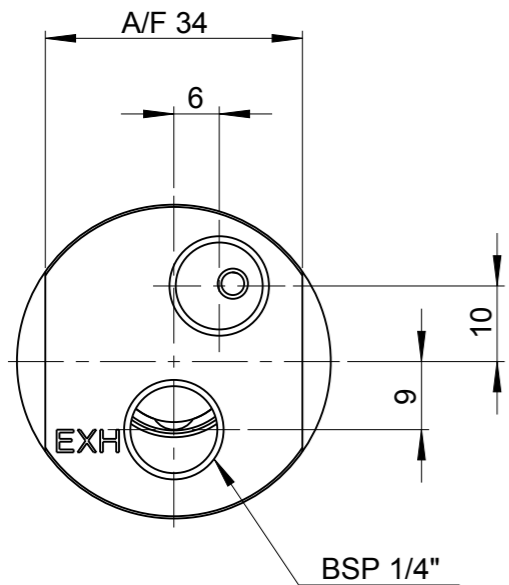


Model name	LZB34_RL_A_2_11	Rev/Ver	0.2
Drawing name	LZB34_RL_A_2_11	Rev/Ver	0.4



MOTOR NAME	ORDERING NO.
LZB33-RL-A013-11	8411 0338 82
LZB33-RL-A007-11	8411 0338 90
LZB33-RL-A005-11	8411 0339 08

This document is our property and shall not without our permission be altered, copied, used for manufacturing or communicated to any other person or company.

Note	Pos.	Modified from	Date	Intr.
0	-	-	-	-

Tolerances, if not indicated, according to:		-	-	-	-	-
AC-STD		-	-	-	-	-
Name VANE MOTOR LZB34-RL-AXXX-11			LZB34-RL-A		Secrecy class	
Material STAINLESS STEEL/LUBRICATION FREE			1102 K/-			
-			CAD		Pro/E	
		Scale 1:1	Format A3	Family -	Compare -	Drawing owner
Drawn F GRINELL		Blank -		Replaces -		TOO
Transferred from -		Cons.class 1295 K/-	Rev 0	Status In Work	Designation Sheet 1 (1)	
Mass/Volume -		Date 2013-04-19		LZB34 RL A 2 11		