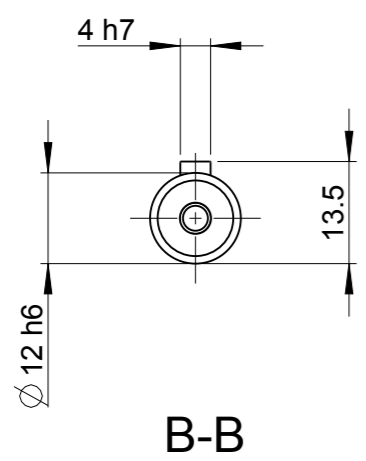
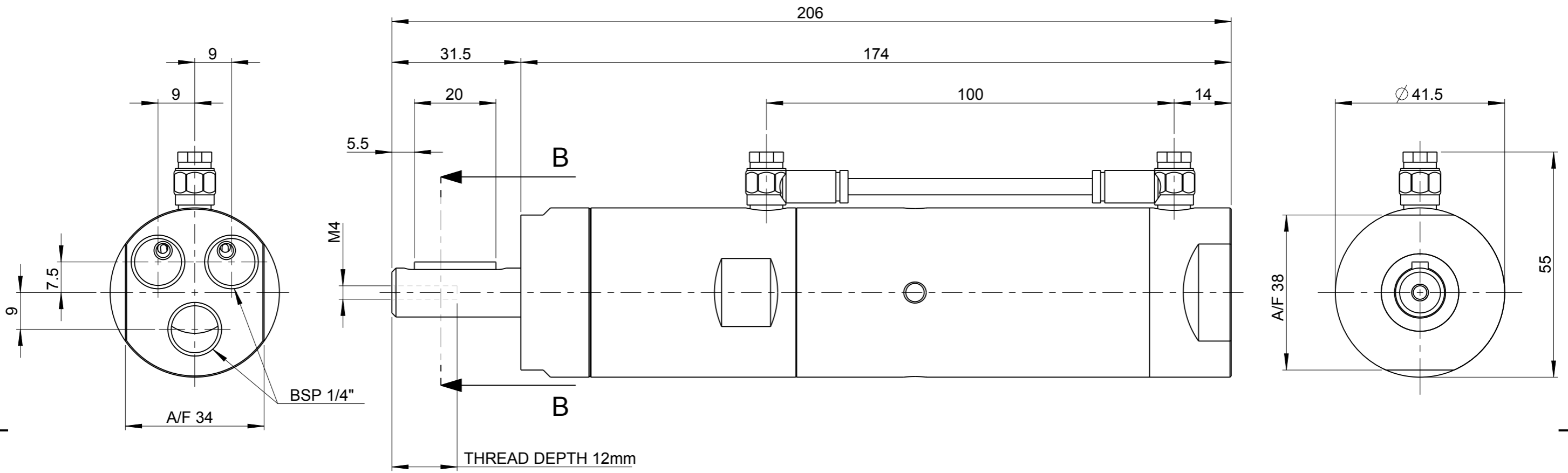


Model name: LZB33_LB_AR_1_11
 Drawing name: LZB33_LB_AR_1_11
 Rev/Ver: 0.4
 Rev/Ver: 0.5



MOTOR NAME	ORDERING NO.
LZB33-LB-AR150-11	8411 0340 05
LZB33-LB-AR043-11	8411 0340 13
LZB33-LB-AR024-11	8411 0340 21
LZB33-LB-AR019-11	8411 0340 39

This document is our property and shall not without our permission be altered, copied, used for manufacturing or communicated to any other person or company.

Note	Pos.	Modified from	Date	Intr.
0	-	-	-	-

Tolerances, if not indicated, according to:		-	-	-	-	-
AC-STD		-	-	-	-	-
Name		VANE MOTOR LZB33-LB-ARXXX-11			LZB33-LB-AR	
Material		LUBRICATION FREE/ BRAKE			1102 K/-	
					CAD Pro/E	
Scale		1:1	Format	A3	Family	-
Drawn		F GRINELL		Blank	-	
Transferred from		Cons.class	1295 K/-	Rev	0	Status
		Mass/Volume	-	Date	2013-04-26	
		Designation			LZB33_LB_AR_1_11	
					Drawing owner	
					TOO	
					Sheet 1 (1)	