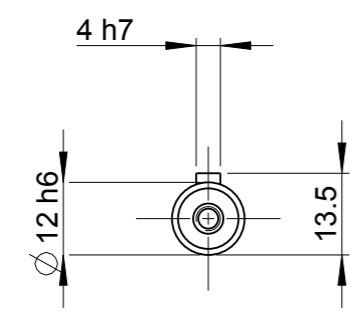
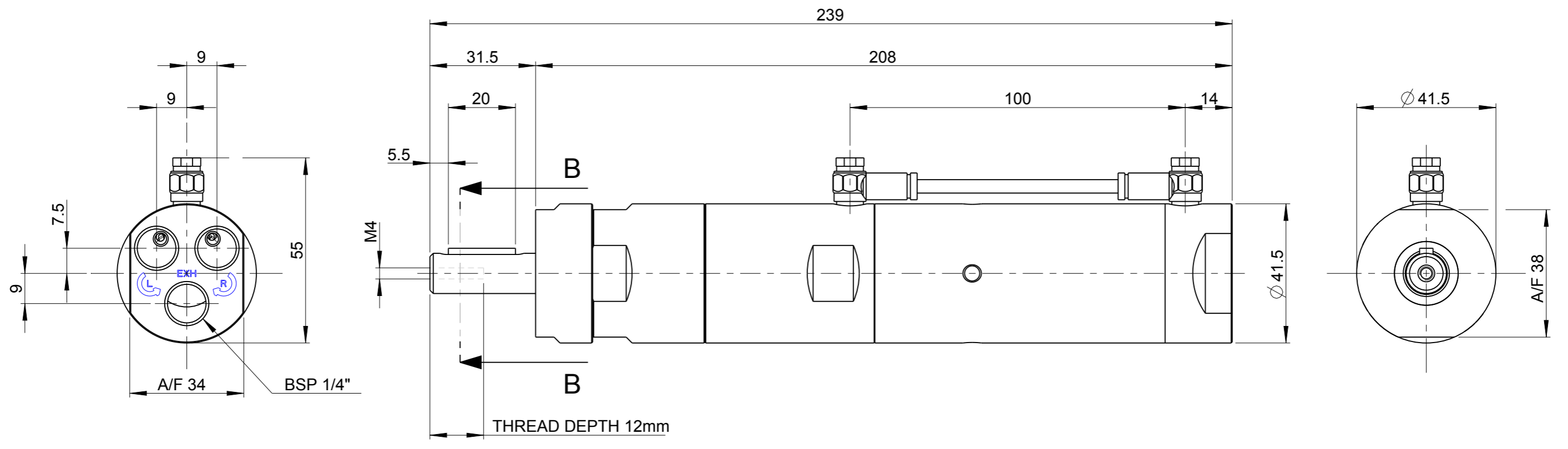


Model name	LZB33_LB_AR_2_11	Rev/Ver	0.4
Drawing name	LZB33_LB_AR_2_11	Rev/Ver	0.4



MOTOR NAME	ORDERING NO.
LZB33-LB-AR009-11	8411 0340 47
LZB33-LB-AR005-11	8411 0340 54
LZB33-LB-AR004-11	8411 0340 62

This document is our property and shall not without our permission be altered, copied, used for manufacturing or communicated to any other person or company.

Note	Pos.	Modified from	Date	Intr.
0	-	-	-	-

Tolerances, if not indicated, according to:		-	-	-	-	-
AC-STD		-	-	-	-	-
Name VANE MOTOR LZB33-LB-ARXXX-11			LZB33-LB-AR		Secrecy class	
Material LUBRICATION FREE/ BRAKE			1102 K/-			
-			CAD		Pro/E	
		Scale 4:5	Format A3	Family -	Compare -	Drawing owner TOO
Drawn F GRINELL		Blank -		Replaces -		Sheet 1 (1)
Transferred from -		Cons.class 1295 K/-	Rev 0	Status In Work	Designation LZB33_LB_AR_2_11	
		Mass/Volume -	Date 2013-04-24			